

# SE - 612

## Installation, Maintenance and Operating Instructions

### DESCRIPTION

Floor mounted EMERGENCY DELUGE SHOWER and AERATED EYE WASH combination unit. Shower is supplied with a 25mm stay open full flow ball valve, activated by a triangle pull rod. Eye wash is supplied with a 12mm stay open full flow ball valve, activated by a activation bar or foot pedal.

### SPECIFICATIONS

#### SHOWER

SHOWER HEAD - 200mm ABS Cicolac  
 VALVE - 25mm Stainless Steel  
 ACTIVATOR - 304 Stainless Steel

#### EYE WASH

EYE WASH - Aerated, ABS Cicolac  
 VALVE - 12mm Chrome Plated Brass  
 ACTIVATOR - 304 Stainless Steel Paddle Handle  
 STANCHION - 304 Stainless Steel Tube  
 BASE PLATE - 304 Stainless Steel  
 FOOT PEDAL ASSEM - 304 Stainless Steel Tube

### INSTALLATION

After unpacking carton, ensure all components are present. Mark out the floor and mount the bottom stanchion section using suitable anchors (10-12mm x 50 Dynabolt). Then assemble top section (use pipe sealant on all joints). Assemble pull rod and shower head, attach paddle handle and foot pedal. Once the unit is completely assembled connect water supply to 25mm top inlet nipple. Failure to use potable water can result in emergency units producing impure or contaminated water causing possible further injury. Test unit.

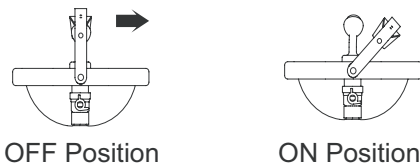
NOTE : This unit should be connected to an uninterrupted source of potable water, no less than 25mm (1"), with a minimum flowing pressure of 130KPa and a maximum static pressure of 860 KPa.

### OPERATION

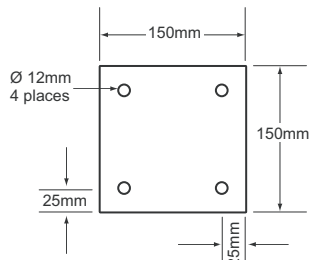
The shower is activated by pulling the triangle pull rod. Once the valve is activated the head will continue to discharge water until the valve is manually closed, this is done by pushing the pull rod to the off position.



The eye wash is activated by pushing the activation bar rearward. The unit will operate until the activation bar is manually pulled to the off position.



#### Base Plate Details



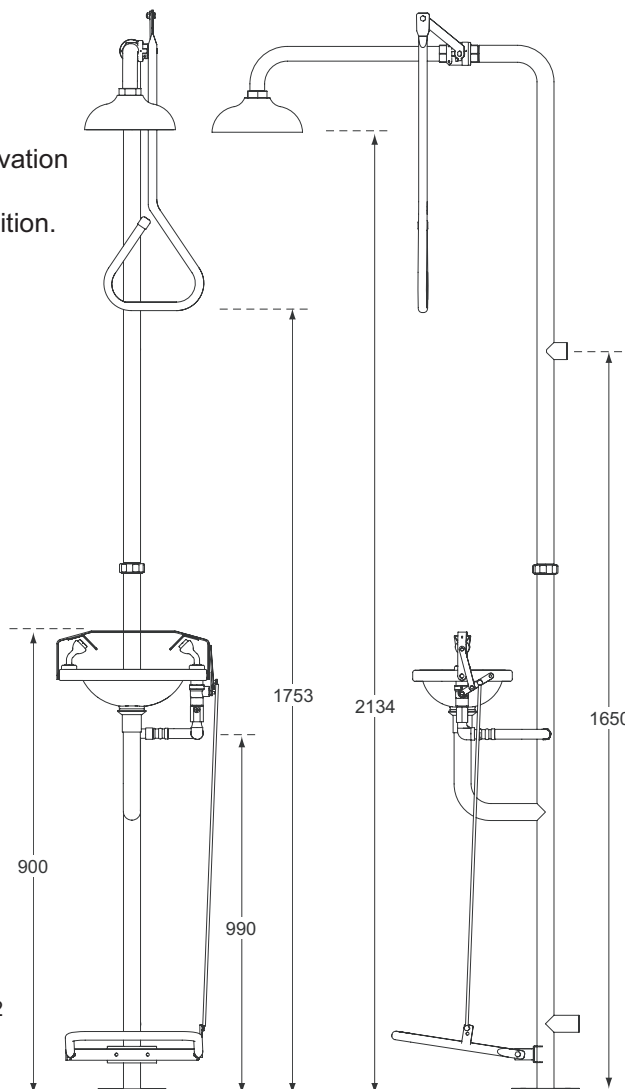
#### FLOW DATA

##### EYE-WASH

FLOW PRESSURE (KPa) : 136  
 FLOW RATE (LPM) : 12

##### SHOWER

FLOW PRESSURE (KPa) : 34 69 103 138 172  
 FLOW RATE (LPM) : 76 76 76 76 76



**SPEAKMAN**<sup>®</sup>  
SAFETY PRODUCTS

**SE 612**  
Combination Deluge Shower & Eyewash

**BIGsafety**  
PEOPLE PLACES SAFETY

P: 1300 73 22 74  
 www.bigsafety.com.au

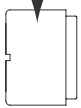
## MAINTENANCE

Should you need to repair this unit, please reference the parts list below for correct part numbers. Before any maintenance is done be sure the electrical supply is isolated and the water supply is shut off.

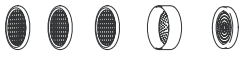
### MAINTENANCE SCHEDULE

WEEKLY	<ul style="list-style-type: none"> <li>- Activate eyewash unit using push handle and foot pedal.</li> <li>- Allow water to flow for 30 seconds to flush line.</li> <li>- Ensure water flows evenly from both outlets.</li> <li>- Ensure water is clean.</li> <li>- Activate shower using pull rod.</li> <li>- Allow water to flow for 30 seconds to flush line.</li> <li>- Ensure water is clean.</li> </ul>
YEARLY	<ul style="list-style-type: none"> <li>- Ensure unit complies with ANSI Z358.1-2004.</li> </ul>

1



Aerator Screen Assembly & Cap  
Part No - 05 1177 RCP

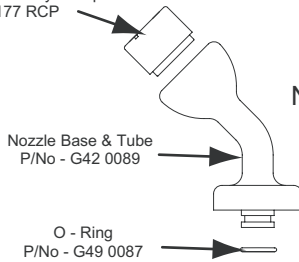


Aerator Screen Assembly  
Part No - G05 0384



Aerator Screen Assembly & Cap  
Part No - 05 1177 RCP

Aerator Screen Assembly & Cap  
P/No - 05 1177 RCP



Nozzle Base & Tube Assembly  
Part No - G42 0089

Nozzle Base & Tube  
P/No - G42 0089

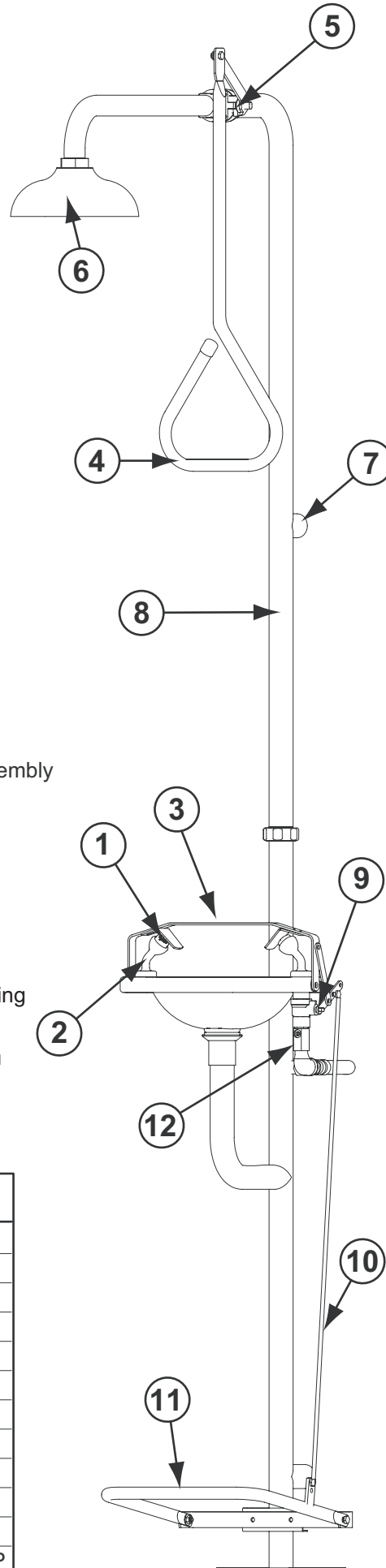
O - Ring  
P/No - G49 0087

**WARNING :** Use only genuine Speakman parts when replacing or repairing components.

To order phone: 1300 73 22 74 or email: [sales@bigsafety.com.au](mailto:sales@bigsafety.com.au)

### SPARE PARTS LIST

No.	DESCRIPTION	PART No.
1	Aerator Sreen Assembly	05 1177 SS
2	Nozzle Base & Tube Assembly	G42 0089
3	Activation Push Bar	G04 0215
4	Pull Rod Assembly	SA 03001
5	Activation Ball Valve & Lever	SE 911
6	200mm Cicolac Shower Head	SE 870
7	1" NPT Inlet Nipple	SR 11005
8	Combination Frame	SA 03008
9	Acitvation Ball Valve	20 0953
10	Foot Peadl Connect Rod	SA 03003
11	Foot Pedal Activator Assembly	SA 03001
12	Flow Control	G20 1720RCP



**SPEAKMAN**  
SAFETY PRODUCTS

# SE 612

Combination Deluge Shower & Eyewash

**BIGsafety**  
PEOPLE PLACES SAFETY

P: 1300 73 22 74  
[www.bigsafety.com.au](http://www.bigsafety.com.au)