



SE 685

Installation, Maintenance and Operating Instructions

Manufactured in Australia to comply with AS4775-2007.

DESCRIPTION

Floor mounted EMERGENCY DELUGE SHOWER and AERATED EYE/FACE WASH combination unit. Shower is supplied with a 25mm stay open full flow ball valve, activated by a triangle pull rod. Eye/Face Wash is supplied with a 15mm stay open full flow ball valve, activated by a activation paddle handle.

SPECIFICATIONS

SHOWER

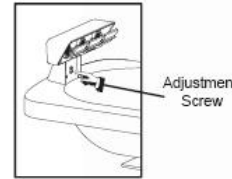
SHOWER HEAD: 200mm ABS Cyclocac
VALVE: 25mm 316 Stainless Steel
ACTIVATOR: 304 Stainless Steel Tube
STANCHION: 304 Stainless Steel
BASE PLATE: 304 Stainless Steel

EYE/FACE WASH

EYE/FACE WASH: Aerated
VALVE: 15mm 316 Stainless Steel
ACTIVATOR: 304 S/Steel Paddle Handle

INSTALLATION

After unpacking carton, ensure all components are present. Mark out the floor as per mounting bracket detail. Mount the unit to the floor using suitable fasteners. Fit activation handle and fasten. Prior to connecting the water supply flush the pipe line to clear of impurities and debris. Connect water supply to no less than a 25mm potable water supply line. Turn water supply on and assure all connections are water tight. Activate the unit and adjust spray pattern to balance centrally in the basin. (This is done by turning the adjustments screws under spray nozzles on either side).



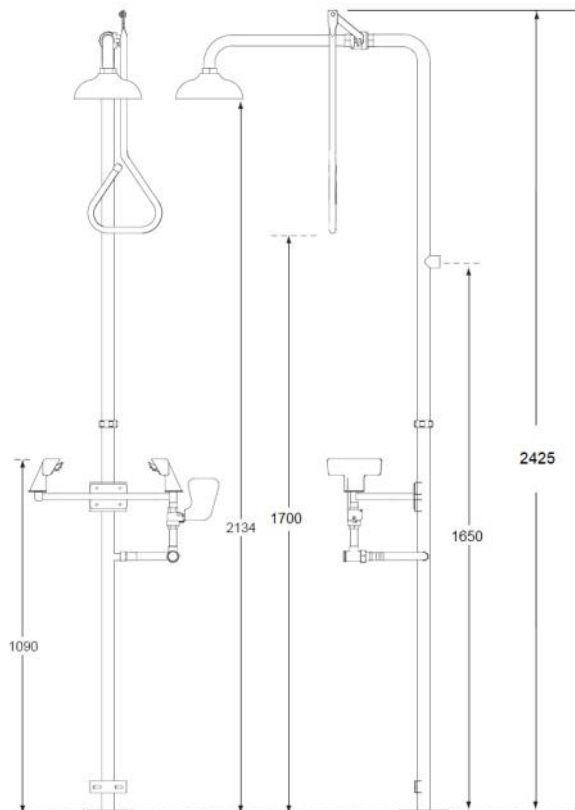
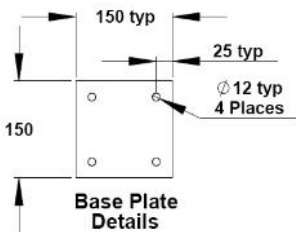
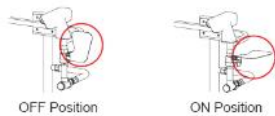
NOTE : This unit should be connected to an uninterrupted source of potable water, no less than 25mm with a minimum flowing pressure of 130KPa and a maximum static pressure of 860 KPa.

OPERATION

The shower is activated by pulling the triangle pull rod. Once the valve is activated the head will continue to discharge water until the valve is manually closed, this is done by pushing the pull rod to the off position. The eye wash is activated by pushing the paddle handle rearward. The unit will operate until the paddle handle is manually pulled to the off position.



The eye face wash is activated by pushing the paddle handle rearward. The unit will operate until the paddle handle is manually pulled to the off position.



FLOW DATA	
SHOWER	
FLOW RATE (LPM) :	76
EYE-WASH	
FLOW RATE (LPM) :	36

WARNING : Use only genuine Speakman parts when replacing or repairing components. When ordering quote correct part numbers listed.



SPEAKMAN
SAFETY PRODUCTS

SE 685
Combination Deluge Shower
& Aerated Eye & Face Wash

BIGsafety
big-safety.com.au

BIG Safety
PO Box 2117 Normanhurst NSW 2076
12A/10 Pioneer Ave, Thornleigh NSW 2120

P: 1300 73 22 74
E:- sales@big-safety.com.au
www.big-safety.com.au

Installation, Maintenance and Operating Instructions

MAINTENANCE

Maintenance should be carried out weekly and yearly as detailed in the schedule. Should you need to repair this unit, please reference the spare parts list for the correct part numbers. Before any maintenance is done **be sure the water supply is shut off.**

MAINTENANCE SCHEDULE

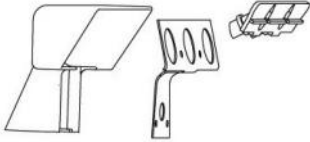
Weekly	Activate eye wash unit using push handle Allow water to flow for 30 seconds to flush line. Ensure water flows evenly from both Outlets. Ensure water is clean.
Yearly	Ensure unit complies with AS 4775 - 2007

- ① Part No: RPG05 1177
Aerator Screen & Cap Assembly



Sold in a packet of 6

- ② Shroud Body Repair Kit
G10 - 0041

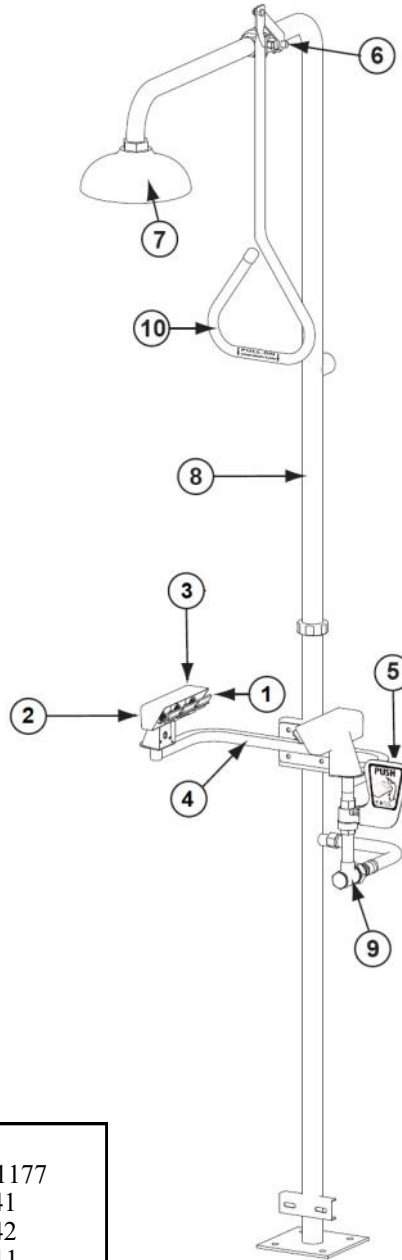


- ③ Complete Shroud Assembly
G10 - 0042



SPARE PARTS LIST

No	Description	Part No
1.	Aerator Screen & Cap Assembly	RPG05 1177
2.	Shroud Assembly Repair Kit (1 Side)	G10 0041
3.	Shroud Body & Aerator Assy (1 Side)	G10 0042
4.	Stainless Steel Manifold Assembly	SA 01011
5.	15mm Activation Ball Valve & Handle	SE 910V
6.	25mm Activation Ball Valve & Lever	SE 911
7.	200mm Cyclac Shower Head	SE 810
8.	Combination Frame	SE FRAME
9.	In line Filter Assembly	G21 0082-PC-P
10.	Pull Rod Assembly	SA 02008



SPEAKMAN
SAFETY PRODUCTS

SE 685
Combination Deluge Shower
& Aerated Eye & Face Wash

WARNING : Use only genuine Speakman parts when replacing or repairing components. When ordering quote correct part numbers listed.

BIG Safety
PO Box 2117 Normanhurst NSW 2076
12A/10 Pioneer Ave, Thornleigh NSW 2120

P: 1300 73 22 74
E:- sales@bigsafety.com.au
www.bigsafety.com.au

BIGsafety
bigsafety.com.au