

SE 607

Installation , Maintenance and Operating Instructions

DESCRIPTION

Floor mounting EMERGENCY DELUGE SHOWER and AERATED EYE FACE WASH combination unit. Shower is supplied with a 25mm stay open full flow ball valve, activated by a triangle pull rod. Eye wash is supplied with a 15mm stay - open full flow ball valve, activated by a paddle handle or foot pedal. Manufactured to comply with AS 4775 - 2007.

SHOWER

SHOWER HEAD : 200mm ABS Cicolac
VALVE : 25mm Stainless Steel
ACTIVATOR : 304 Stainless Steel
STANCHION: 304 Stainless Steel

EYE FACE WASH

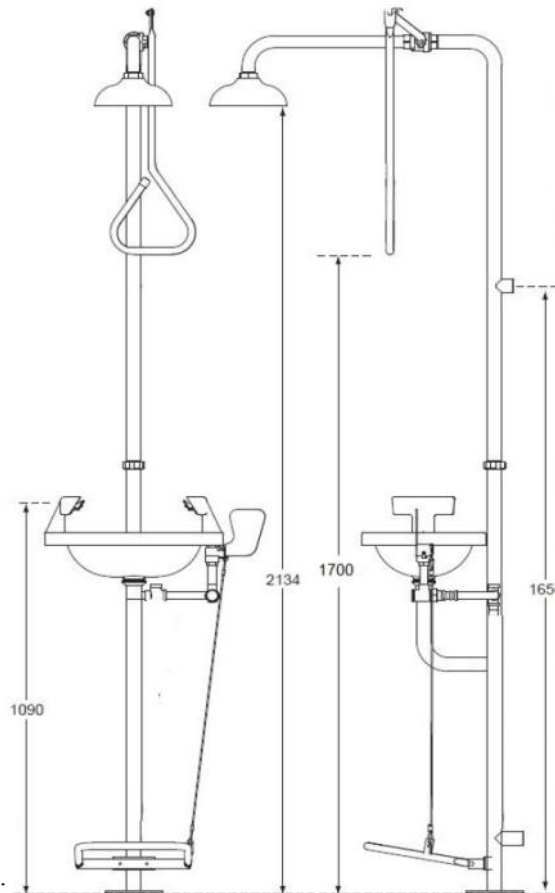
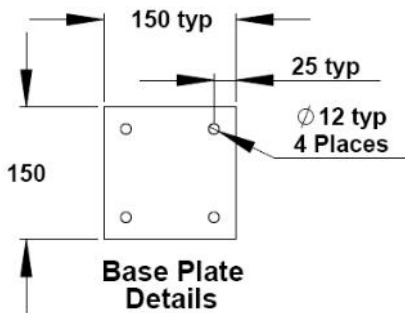
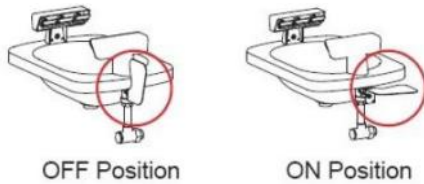
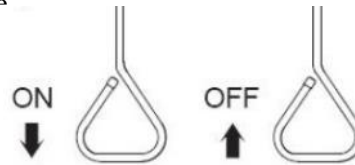
EYE FACE WASH : Aerated,
VALVE: 12mm Stainless Steel
ACTIVATOR: 304 Stainless Steel
BASE PLATE: 304 Stainless Steel
FOOT PEDAL ASSEM: 304 Stainless Steel

INSTALLATION

After unpacking carton, make sure all components are present. Mark out the floor and mount the bottom stanchion section using suitable anchors. Then assemble top section (Use pipe sealant on all joints). Assemble pull rod and shower head, attach paddle handle and foot pedal. Once the unit is completely assembled connect water supply to 25mm top inlet nipple. Failure to use potable can result in emergency units producing impure or contaminated water causing possible further injury. Test unit

OPERATION

The shower is activated by pulling the triangle pull rod. Once the valve is activated the head will continue to discharge water until the valve is manually closed, this is done by pushing the pull rod to the off position. The eye face wash is activated by pushing the paddle handle back 90 degrees. The unit will operate until the paddle handle is manually pulled back to the off position.



FLOW DATA

EYE FACE WASH
FLOW RATE (LPM) : 46

SHOWER
FLOW RATE (LPM): 76

WARNING :

Use only genuine Speakman parts when replacing or repairing components. When ordering quote correct part numbers listed below.



SPEAKMAN
SAFETY PRODUCTS

SE 607
Combination Deluge Shower
& Aerated Eye Face Wash

BIGsafety
bigsafety.com.au

BIG Safety
PO Box 448 Beecroft NSW 2119
12A/10 Pioneer Ave, Thornleigh NSW 2120
P:- 1300 73 22 74
E:- sales@bigsafety.com.au
www.bigsafety.com.au

BIGsafety
bigsafety.com.au

Installation , Maintenance and Operating Instructions

MAINTENANCE

Should you need to repair this unit, please see the parts list for correct part numbers. Before any maintenance is done be sure the water supply is shut off.

MAINTENANCE SCHEDULE

| | |
|---------------|----------------------------------------------------------------------------------------------------------------------------------------------------------------------|
| Weekly | Activate eye wash unit using push handle Allow water to flow for 30 seconds to flush line. Ensure water flows evenly from both Outlets. Ensure water is clean. |
| Yearly | Ensure unit complies with AS 4775 - 2007 |

TESTING PROGRAM

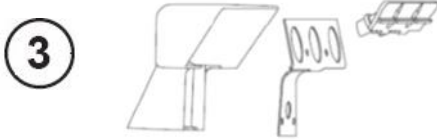
The Australian Standards AS4775-2007 states that all safety equipment shall be activated on a weekly basis to flush the line and verify proper operation. All units furnishes a testing tag (SE Tag) with each unit. On this tag the date of the inspection and the inspectors initials should be noted.

1 Part No: RPG05 1177

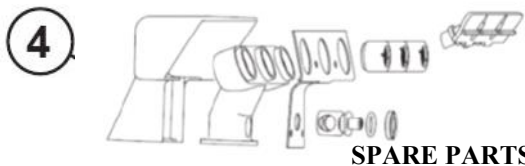


Supplied in a packet of 6

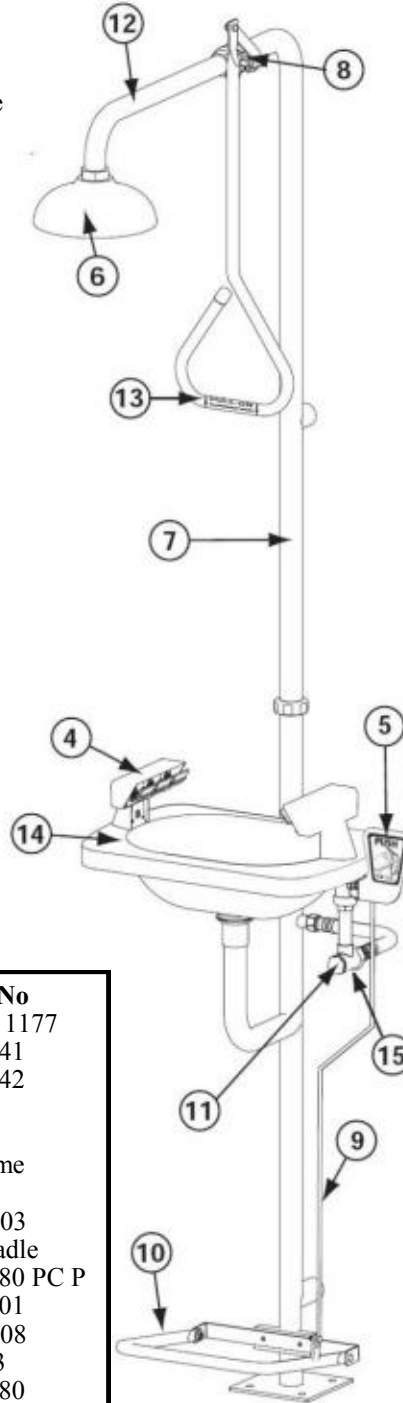
3 Shroud Maintenance Kit - Part No: G10 0041



4 Complete Shroud Assembly - Part No: G10 0042



| No: | Description | Part No |
|-----|----------------------------------------|---------------|
| 1. | Aerator Screen & Cap Assembly | RPG05 1177 |
| 3. | Shroud Repair Kit Assembly | G10 0041 |
| 4. | Shroud Body & Aerator Repair Assembly | G10 0042 |
| 5. | 12mm Activation Ball Valve & Push Hand | SE 910 |
| 6. | 200mm Cyclac Shower Head | SE 870 |
| 7. | Combo Frame | SE Frame |
| 8. | 25mm Activation Ball Valve | SE 911 |
| 9. | Foot Pedal Assembly | SA 03003 |
| 10. | Foot Pedal Assembly | SE Treadle |
| 11. | Supply In Line Filter Assembly | G21 0080 PC P |
| 12. | Shower Arm 25mm BSP | SC 02001 |
| 13. | Pull Rod Assembly | SA 02008 |
| 14. | Stainless Steel Bowl | 68 0033 |
| 15. | Strainer Gauze | G21 0080 |



SPEAKMAN®
SAFETY PRODUCTS

SE 607
Combination Deluge Shower
& Aerated Eye Face Wash

BIGsafety
bigsafety.com.au

BIG Safety
PO Box 448 Beecroft NSW 2119
12A/10 Pioneer Ave, Thornleigh NSW 2120
P:- 1300 73 22 74
E:- sales@bigsafety.com.au
www.bigsafety.com.au

BIGsafety
bigsafety.com.au