

SE 4000 GRAVITY FLOW EYE WASH

Installation, Maintenance & Operating Instructions

The SE 4000 Gravity Flow is compliant to AS 4775-2007.

INSTALLATION

When fastening or mounting the SE-4000 to a wall, make sure that the wall construction is suitable to hold a vertical load of 135 Kilo. The SE-4000 comes complete with a tubular wall bracket, support strap and hardware to mount the bracket. The tubular bracket must be fastened securely to the wall studs as shown in Fig. No. 1. Where concrete or other composition wall constructions are involved, consult a building contractor for the correct fastening and mounting hardware to install the tubular wall bracket. Installation height for the SE-4000 should be 33" (84cm) to 45" (115cm) from floor to eyewash spray heads (to meet AS 4775-2007). See Fig 2.

1. Clean inside of tank and flush system with clean water. Rinse thoroughly.
2. Select a suitable location. Do not allow your GRAVITYFLO™ product to freeze or become overheated. We recommend the emergency Eyewash unit be in an accessible location that requires a travel distance of no more than 10 seconds to reach (to meet AS 4775-2007) and the area around the Eyewash should be well-illuminated and free of obstructions.
3. Fit support strap to tubular wall bracket. Position tubular wall bracket as shown in Fig. No.1 and secure with four anchor bolts. When drilling into tile, masonry, concrete, or other hard materials, wear safety goggles to prevent eye injuries.
4. Insert SE-4000 down into the tubular wall bracket as shown in Fig. No.2. Make sure that the over-hangs on left and right hand side of plastic Eyewash container rest securely on tubular side arms.
5. Install drain plug and fill unit to capacity.
6. Pull down on rubber hand grip to insure water flows to Eyewash heads. Return to closed vertical position.
7. Date and replace "Testing Record Tag" and affix "Tamper Evident Tie" to the small plastic clip fastened to the top cap of the SE-4000.

Filling Instructions

1. The SE-4000 has a total fill capacity of 79 litres for maximum performance. In the interest of safety, PBA Safety recommends that the unit be filled to capacity of 79 litres at all times.
2. Start with a clean eyewash container.
3. Fill the eyewash tank with (1) 225ml bottle of SE-4210 water preservative, and 79 litres of clean, potable water. The water preservative will extend the life of the water for up to 120 days.
4. When measuring depth level of fluid in tank, measure from the neck of the tank.
5. PBA Safety also provides an optional Fluid Level Cap Gauge (SE-4200). This gauge allows the service maintenance engineer to quickly see the number of litres of water within the tank. It also assists during filling and mixing of eyewash solution.

Periodic Cleaning & Maintenance

The Portable Eyewash GRAVITYFLO has been designed for years of trouble-free service. It is critical to keep this unit clean at all times.

Periodic Weekly Testing

Run unit for approximately 10 - 15 seconds to check water flow is correct through the eye wash and check tank for the correct level of water. Once test is complete replace the amount of water from the test with clean potable water.

Daily Cleaning (Potable Water)

It may be necessary under certain conditions to replace the potable water on a daily basis. Empty unit by removing side plug or allow water to run from spray heads by activating the valve. Another alternative is to siphon water with a hose.

Weekly Cleaning & Disinfecting (Potable Water)

Add 200mls of liquid bleach to the 79 litres of potable water and mix thoroughly. Allow Bleach/water mixture to sit for 15 minutes, drain contents, and **rinse several times thoroughly with clean potable water**. This procedure will disinfect and clean the inside of the tank. Finally, refill the Gravity Eye Wash container with clean potable water.

Cleaning—Rubber Eye Guard Assembly

Unscrew rubber eye guard assembly from threaded rubber arm grip using a counter-clockwise motion. During cleaning, seal threaded arms with plastic caps provided. Push back on rubber eye guard and remove spray head. Twist turn cap and base to disassemble. Scrub all components clean with hot soapy water and rinse thoroughly. Reassemble and replace on unit. Test water flow to be sure unit is operational.

Eye Wash Solutions

To prolong the life of the water/flushing fluid in your SE-4000 portable eyewash unit, the use of the SE4210B4 water preserver is recommended. The SE-4210 will prolong the life of the water for up to 120 days.

WARNING : Use only genuine Speakman parts when replacing or repairing components. When ordering quote correct part numbers listed.

BIG Safety
PO Box 2117 Normanhurst NSW 2076
12A/10 Pioneer Ave, Thornleigh NSW 2120

P: 1300 73 22 74
E: sales@bigsafety.com.au
www.bigsafety.com.au



SPEAKMAN
SAFETY PRODUCTS

SE 4000
79 Litre Gravity Flow Eye Wash

BIGsafety
bigsafety.com.au

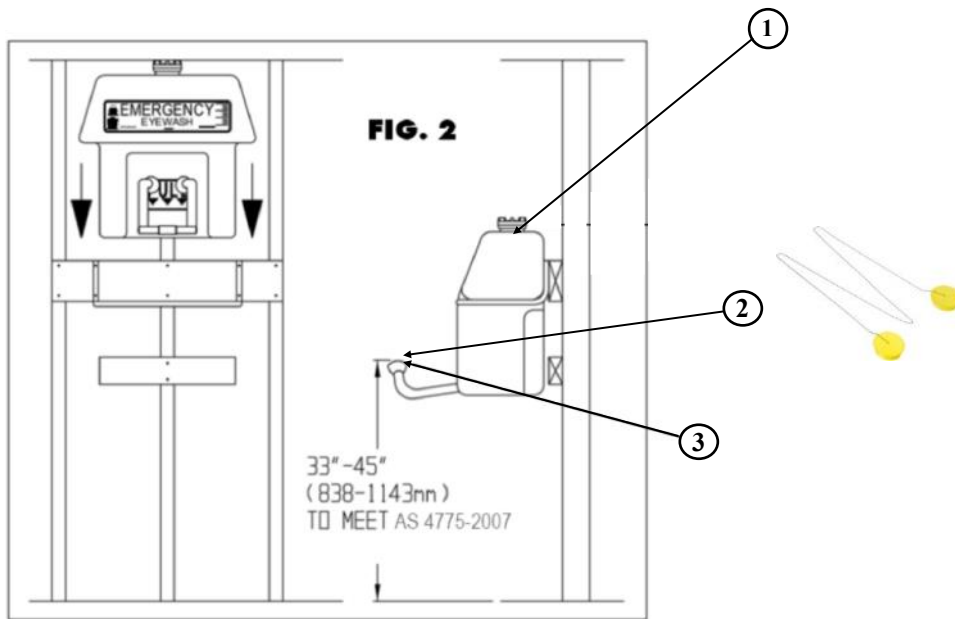
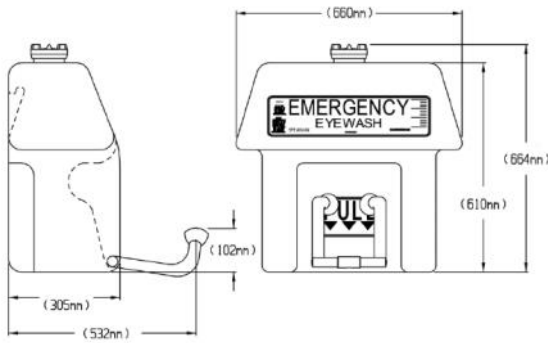
Installation, Maintenance & Operating Instructions

MAINTENANCE

Maintenance should be carried out weekly and as detailed in the schedule. Should you need to repair this unit, please reference the spare parts list for correct part numbers.

MAINTENANCE SCHEDULE

- WEEKLY** Activate eye wash unit
 Allow water to flow for 5 seconds to flush line.
 Ensure water flows evenly from both outlets.
 Ensure water is clean.
- YEARLY** Ensure unit complies with AS 4775 –2007



SPARE PARTS LIST

Item	Description	Part No
1.	Fluid Level Gauge	SE 4200
2.	Dust Cap – Standard	RPG05 0631
3.	Spray Head Assembly	RPG38-0347
4.	Anti-Microbial 236ml Solution (box of 4)	SE-4210B4
Optional Parts		
	Supply tube, Connector, and In-Line Strainer	RPG05-0660
	Test record tag (pkg of 10)	SE TAG

WARNING : Use only genuine Speakman parts when replacing or repairing components. When ordering quote correct part numbers listed.

BIG Safety
 PO Box 2117 Normanhurst NSW 2076
 12A/10 Pioneer Ave, Thornleigh NSW 2120

P: 1300 73 22 74
E:- sales@bigsafety.com.au
www.bigsafety.com.au



SPEAKMAN®
 SAFETY PRODUCTS

SE 4000
 79 Litre Gravity Flow Eye Wash

BIGsafety
 bigsafety.com.au