

**4K**  
ULTRA HD



MONTAVUE  
GO



## FEATURES



**Infrared Night Vision**  
Up to 164ft



**Starlight Technology**  
Low light Image sensor



**Intelligent Video Surveillance**  
Tripwire, Intrusion, Motion



**High Efficiency Video Coding**  
50% Better Data Compression

## 4K 15fps Turret Camera with Built-In Mic

Upgraded H.265 encoding technology combined with 15 Frames Per Second Recording give this 4K network camera efficient video encoding capacity, which saves bandwidth and storage space. This camera also adopts the latest starlight technology which produces impressive low light video. We also built in support for our Intelligent Video Surveillance features (IVS). This is a unique software function that allows for easy perimeter protection. Simply draw a line in the camera software and anything that crosses that line will be recorded. You can also get an alert on your smartphone via our free MontavueGo app for IOS and Android. Connect your camera to one of our 4K Ultra HD Network Video Recorders (NVR) and experience the difference 4K makes

### Indoor/Outdoor

- IP67 rated for use outdoors or indoors
- Rugged aluminum metal housing
- Operates in temperatures ranges of -40°F to +140°F

### Intelligent Video Surveillance - IVS

- Tripwire function allows for precise area monitoring
- Intrusion detection for large areas
- Get push notifications on your smart phone.

### Crystal Clear Video

- Twice the resolution of 1080p gives you clear crisp video
- Capture more with a 105° Field of View ( horizontal)
- Low light image sensor allows for color images in low light conditions.

### High Efficiency Encoding -HEVC H.265

- Better data compression at the same level of quality
- Smaller files means you can store more footage
- Improves remote viewing by reducing data rates

## Product Specifications

### Camera

Image Sensor	1/2.7" 8 Megapixel progressive CMOS
Max. Resolution	3840 (H) × 2160 (V)
ROM	128 MB
RAM	256 MB
Scanning System	Progressive
Shutter Speed	Auto/Manual 1/3 s–1/100000 s
Min Illumination	0.009 Lux@F2.0
S/N Ratio	> 56 dB
Infrared Distance	30 m (98.43 ft)
Infrared Control	Auto/Manual
IR LED's	2 (IR LED)

### Lens

Lens Type	Fixed lens				
Focal length	2.8 mm				
Max Aperture	F2.0				
Field of View	Horizontal:105°; vertical: 56°; diagonal: 125°				
Close Focus Distance	1.0 m (3.3 ft)				
Iris Type	Fixed				
Dori Distance	Lens	Detect	Observe	Recognize	Identify
	2.8 mm	74.7 m (245.1 ft)	29.9 m (98.1 ft)	14.9 m (48.9 ft)	7.5 m (24.6 ft)

### IVS Features

Rules	Tripwire, Intrusion
Smart Search	Integrates with NVR to allow searching for IVS events. Displays snapshots of event and playback

### Video

Video Compression	H.265; H.264; H.264H; H.264B; MJPEG(only supported by sub stream)
Smart Codec	Smart H.265+ / Smart H.264+
Video Frame Rate	Main stream (3840 × 2160@1–15 fps) (2688 × 1520@1–25/30 fps) sub stream (704 × 576@1–25 fps/704 × 480@1–30 fps)
Stream Capability	2 streams

Resolution	8M (3840 × 2160); 4M (2688 × 1520); 3M (2048 × 1536); 1080p (1920 × 1080); 1.3M (1280 × 960); 720p (1280 × 720); D1 (704 × 576/704 × 480); VGA (640 × 480); CIF (352 × 288/352 × 240)
Bit Rate Control	CBR/VBR
Video Bit Rate	H.264: 32 Kbps–8192 Kbps H.265: 12 Kbps–8192 Kbps
Day/Night	Auto(ICR)/Color/B/W
BLC	Yes
HLC	Yes
WDR	120 db
White Balance	Auto/natural/street lamp/outdoor/manual/regional
Gain Control	Auto/ Manual
Noise Reduction	3D NR
Motion Detection	OFF/ON (4 areas, rectangular)
Region of Interest	Yes (4 areas)
Image Rotation	0°/90°/180°/270° (Support 90°/270° with 3840 × 2160 resolution or lower.)
Mirror	Yes
Privacy masking	Yes (4 areas)
Smart Illumination	Yes

### Audio

Built-in Mic	Yes
Audio Compression	G.711a; G.711Mu; G.726; AAC

### Alarm

Alarm Event	No SD card; SD card full; SD card error; less service time of SD card (smart card supports); network disconnection; IP conflict; illegal access; voltage detection; security exception; motion detection; video tampering; scenechanging; intensity change; tripwire; intrusion; SMD
-------------	--

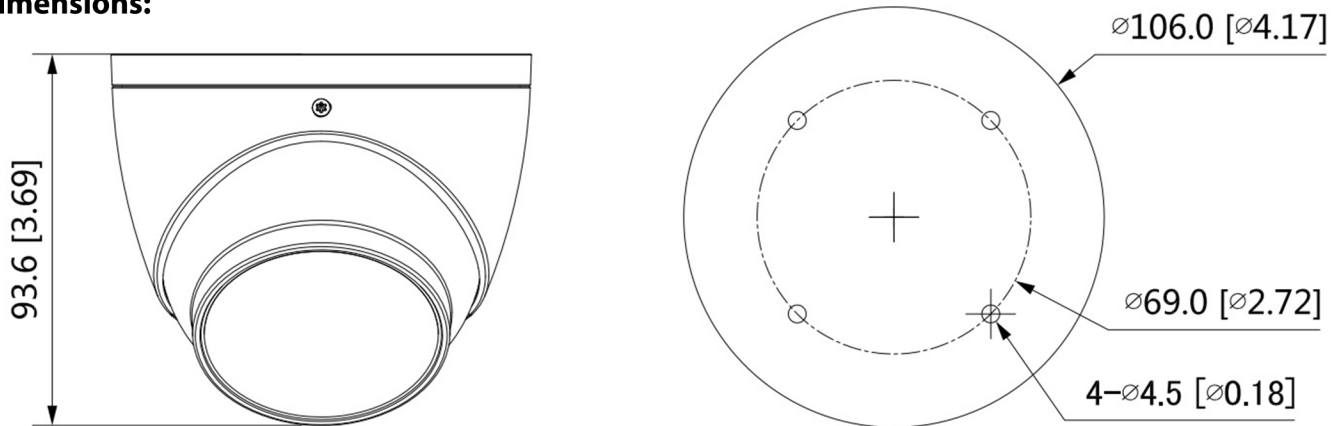
### Network

Network	RJ-45 (10/100 Base-T)
Interoperability	ONVIF(Profile S/Profile G); CGI; P2P; Milestone; Genetec
Protocol	IPv4; IPv6; HTTP; TCP; UDP; ARP; RTP; RTSP; RTCP; RTMP; SMTP; FTP; SFTP; DHCP; DNS; DDNS; QoS; UPnP; NTP; Multicast; ICMP; GMP; NFS; PPPoE; Bonjour
Scene Self-Adaption	Yes
Storage	FTP; SFTP; Micro SD Card (max. 256 G); NAS
Browser	IE, IE8, IE9, IE11, Chrome, Firefox
Software	MontavueGO PC & Mac
Mobile Apps	MontavueGO Andiod & Iphone


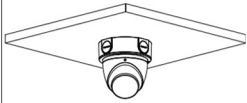

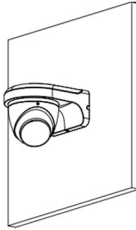
## Operating Conditions

Operating Range: -40°C to +60°C (-40°F to +140°F)/less than 95%  
 Protection Rating: IP67  
 Power Supply: 12V DC/PoE (802.3af)  
 Power Consumption: < 5.4W

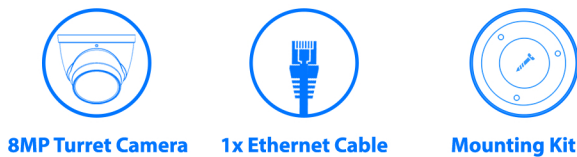
## Dimensions:



## Optional Accessories (not included)

Junction Box	Example	Wall Mount	Example
MAM139	MAM139	MAM204W	MAM204W
			

## What's in the box



### Disclaimers:

1. Infrared distance is based on ideal conditions in average outdoor nighttime ambient lighting. Actual distance may vary depending on installation location and lighting conditions
2. The accuracy of human and vehicle detection will vary depending on multiple factors, such as the objects distance from the camera, size, height and mounting angle of the camera. Night vision will also affect the accuracy of detection.
- 3 Not inteded for submersion in water. Installation in a sheltered area is recommended.
4. Camera PoE connection is not waterproof. Extra precautions should be taken during installation to ensure connection is not exposed to moisture. Camera failure due to corosion or short circuit from moisture is not covered by warranty. Montavue LLC assumes no liability for damage resulting from improper use or installation of its products.
5. Because we are continuously improving our products, Montavue LLC reserves the right to modify product design, specifications & prices without notice and without incurring any obligation. E&OE