

**2K**  
SUPER HD



**MONTAVUE**  
GO



## FEATURES



**Infrared Night Vision**  
Up to 98ft



**Starlight Technology**  
Low light Image sensor



**Intelligent Video Surveillance**  
Tripwire, Intrusion, Motion



**High Efficiency Video Coding**  
50% Better Data Compression

## 2K HD Bullet Camera with Starlight Technology

The Montavue MTB4102 4 megapixel bullet camera takes advantage of the latest starlight technology providing clear colorful video in low light conditions. After dark you are covered by a powerful infrared LED giving you 98 feet of black and white infra red night vision. It does this all while recording in 2K resolutions at 30 frames per second. This camera also supports IVS a unique function that allows for easy perimeter protection via tripwires you draw in the camera software. Connect your camera to one of our 4K Network Video Recorders and get a state of the art security experience.

### Indoor/Outdoor

- IP67 rated for use outdoors or indoors
- Rugged aluminum metal housing
- Operates in temperatures ranges of -40°F to +140°F

### Intelligent Video Surveillance

- Reduce false alarms w/ Intelligent Video Surveillance
- Tripwire and Intrusion
- Get push notifications on your smart phone.

### Crystal Clear Video

- Twice the resolution of 1080p gives you clear crisp video
- Capture more with a 102° Field of View (horizontal)
- Low light image sensor allows for color images in low light conditions.

### High Efficiency Encoding -HEVC H.265

- Better data compression at the same level of quality
- Smaller files means you can store more footage
- Improves remote viewing by reducing data rates

## Product Specifications

### Camera

Image Sensor	1/3"4Megapixel progressive CMOS
Effective Pixels	2688 (H) × 1520 (V)
ROM	128 MB
RAM	128 MB
Scanning System	Progressive
Shutter Speed	Auto/Manual 1/3 s–1/100000 s
Min Illumination	0.008 Lux @ F1.6
Infrared Distance	30 m (98.43 ft)
Infrared Control	Auto/Manual
IR LED's	1 (IR LED)

### Lens

Lens Type	Fixed lens				
Focal length	2.8 mm				
Max Aperture	F 1.6				
Field of View	Horizontal:102°; vertical: 55°; diagonal: 121°				
Close Focus Distance	0.9 m (2.95 ft)				
Iris Type	Fixed				
Dori Distance	Lens	Detect	Observe	Recognize	Identify
	2.8 mm	56.0 m (183.7 ft)	22.4 m (73.5 ft)	11.2 m (36.8 ft)	5.6 m (18.4 ft)

### IVS Features

Rules	Tripwire, Intrusion
Smart Search	Integrates with NVR to allow searching for IVS events. Displays snapshots of event and playback

### Video

Video Compression	H.265; H.264; H.264B; MJPEG (only supported by sub stream)
Smart Codec	Yes
Video Frame Rate	Main stream 2688 × 1520 (1 fps-20 fps) 2560 × 1440 (1 fps-25/30 fps) sub stream 704 × 576 (1 fps-25 fps) 704 × 480 (1 fps-30 fps)
Stream Capability	2 streams

Resolution	2688×1520 (2688×1520); 2560×1440 (2560×1440); 2304×1296 (2304×1296); 1080p (1920×1080); 1.3M (1280×960); 720p (1280×720); D1 (704×576/704×480); VGA (640×480); CIF (352×288/352×240)
Bit Rate Control	CBR/VBR
Video Bit Rate	H.264: 32 Kbps–6144 Kbps H.265: 12 Kbps–6144 Kbps
Day/Night	Auto(ICR)/Color/B/W
BLC	Yes
HLC	Yes
WDR	120 db
White Balance	Auto/natural/street lamp/outdoor/manual/regional
Gain Control	Auto/ Manual
Noise Reduction	3D NR
Motion Detection	OFF/ON (4 areas, rectangular)
Region of Interest	Yes (4 areas)
Image Rotation	0°/90°/180°/270° (Supports 90°/270° with 1080p)
Mirror	Yes
Privacy masking	Yes (4 areas)
Smart Illumination	Yes

### Audio

Built-in Mic	No
Audio Compression	N/A

### Certification

Certifications	CE-LVD: EN60950-1 CE-EMC: Electromagnetic Compatibility Directive 2014/30/EU FCC: 47 CFR FCC Part 15, Subpart B UL/CUL: UL60950-1 CAN/CSA C22.2 No.60950-1-07
----------------	--

### Network

Network	RJ-45 (10/100 Base-T)
Interoperability	ONVIF(Profile S/G/T);CGI;P2P;Milestone;Genetec
Protocol	IPv4;IPv6;HTTP;HTTPS;TCP;UDP;ARP;RTP;RTSP;RTCP; RTMP;SMTP;FTP;SFTP;DHCP;DNS;DDNS;QoS;UPnP;NTP; Multicast;IGMP;NFS;PpPoE;802.1x;Bonjour
Storage	FTP; SFTP; Micro SD Card (max. 256 G);NAS
Browser	IE, Chrome, Firefox
Software	MontavueGO PC & Mac
Mobile Apps	MontavueGO Android & iPhone

## Operating Conditions

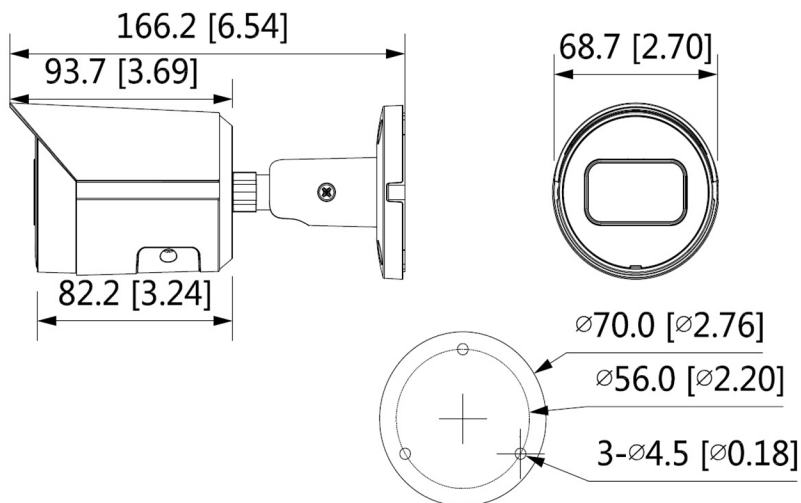
Operating Range: -40°C to +60°C (-40°F to +140°F)/less than 95%

Protection Rating: IP67


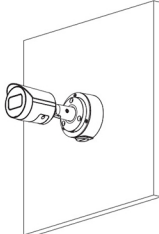
Power Supply: 12V DC/PoE (802.3af)

Power Consumption: < 5W

## Dimensions:



## Optional Accessories (not included)

Junction Box	Example
MAM134	MAM134
	

## What's in the box



4MP Bullet Camera



1x Ethernet Cable



Mounting Kit

### Disclaimers:

1. Infrared distance is based on ideal conditions in average outdoor nighttime ambient lighting. Actual distance may vary depending on installation location and lighting conditions
  2. The accuracy of human and vehicle detection will vary depending on multiple factors, such as the objects distance from the camera, size, height and mounting angle of the camera. Night vision will also affect the accuracy of detection.
  - 3 Not inteded for submersion in water. Installation in a sheltered area is recommended.
  4. Camera PoE connection is not waterproof. Extra preccations should be taken during installation to ensure connection is not exposed to moisture. Camera failure due to corosion or short curcuit from moisture is not covered by warranty. Montavue LLC assumes no liability for damage resulting from improper use or installation of its products.
  5. Because we are continuously improving our products, Montavue LLC reserves the right to modify product design, specifications & prices without notice and without incurring any obligation.
- E&OE