

GC-1078 Metal Detector

Owner's Manual



Please read the manual before using the detector

✉ service@sakobs.cc

INTRODUCTION

Thanks for choosing our GC-1078 metal detector. With this metal detector, you can hunt for coins, relics, jewelry, gold, and silver just about anywhere. The detector comes with high sensitivity and strong ability of discrimination.

THE DETECTOR' S FEATURES INCLUDE

LCD Display: Shows the probable type of metal, the depth of the target, range of DISC, the level of **VOLUME** and **SENS**, as well as battery condition.

Three Tone Audio Discrimination: Sounds three distinctive tones (high, medium and low) for different types of metal.

Seven Controls:

- ① **POWER/BACKLIGHT:** Short press to turn on or turn off the power. Press it for two seconds to turn on or turn off the backlight.
- ② **SET:** To adjust the sensitivity or volume level working with "+" or "-".
- ③ **DISC:** To adjust the range of discrimination or eliminate undesired metal target.
- ④ **INCREASE (+):** To increase the level of volume, sensitivity and the range of discrimination working with SET or DISC.
- ⑤ **DECREASE (-):** To decrease the level of volume, sensitivity and the range of discrimination working with SET or DISC.
- ⑥ **PP:** Pinpoints the location of the target accurately.
- ⑦ **JEWELRY:** To eliminate the iron target(s) automatically.

Headphone Jack: let' s you connect headphones of 3.5mm and operate without trouble.

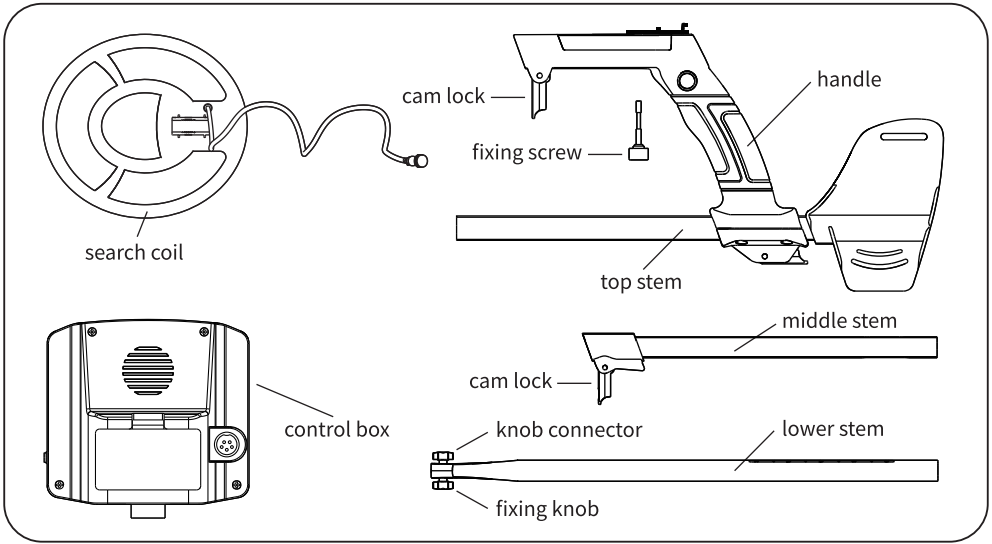
240mm Waterproof Search coil: let' s you use the detector even if you must put it under shallow water.

Adjustable Shaft: let' s you adjust the length of shaft for comfortable use.

Power: The detector requires two 9-volt alkaline batteries.

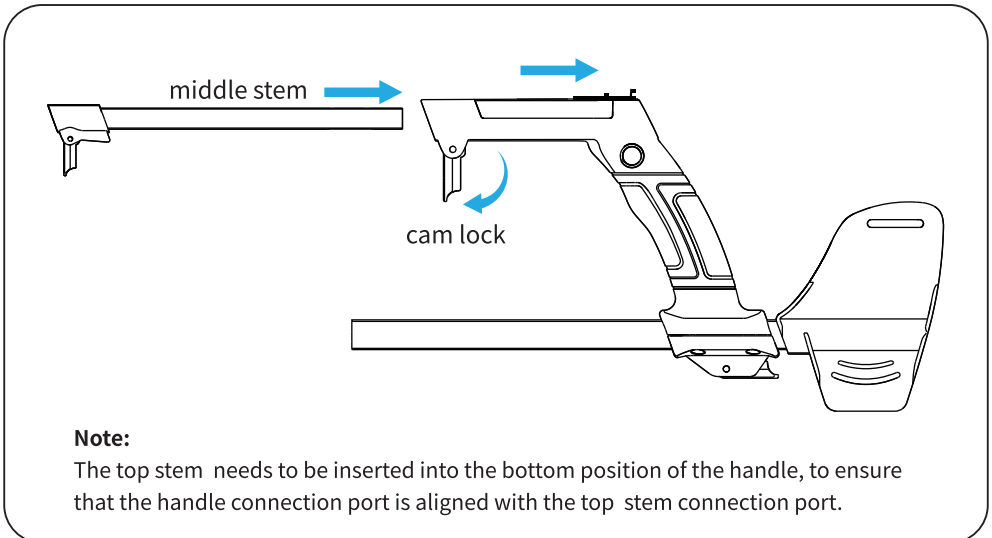
ASSEMBLING THE DETECTOR

Assembling your detector is easy and requires no special tools.
JUST FOLLOW THESE STEPS:



STEP 1

Release the cam lock on the handle, insert the middle stem into the handle, and then Tighten the cam lock.

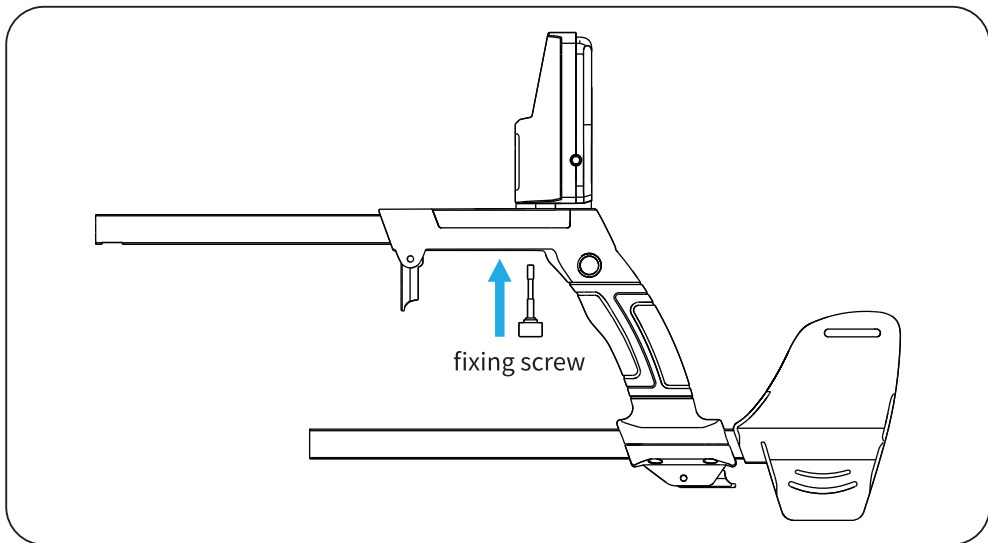


Note:

The top stem needs to be inserted into the bottom position of the handle, to ensure that the handle connection port is aligned with the top stem connection port.

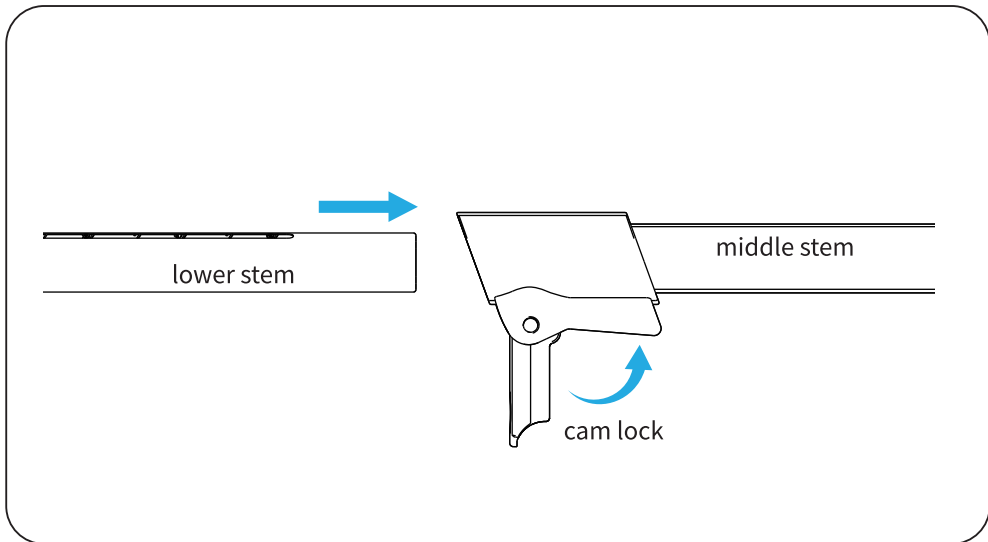
STEP 2

Put the control box on the top of the handle.
Secure the control box with fixing screw properly.



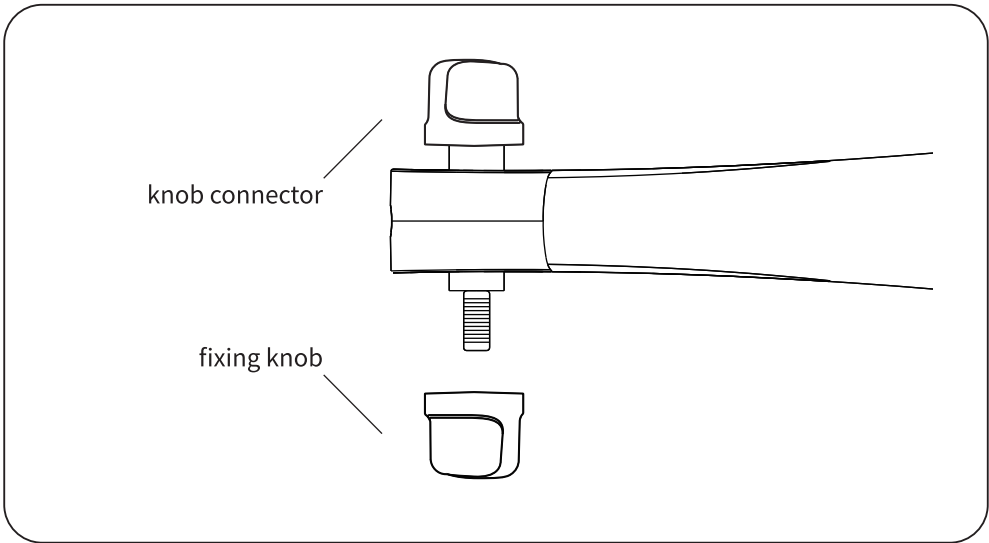
STEP 3

Release the cam lock on the middle stem and insert the lower stem into the middle stem. Then tighten the cam lock.



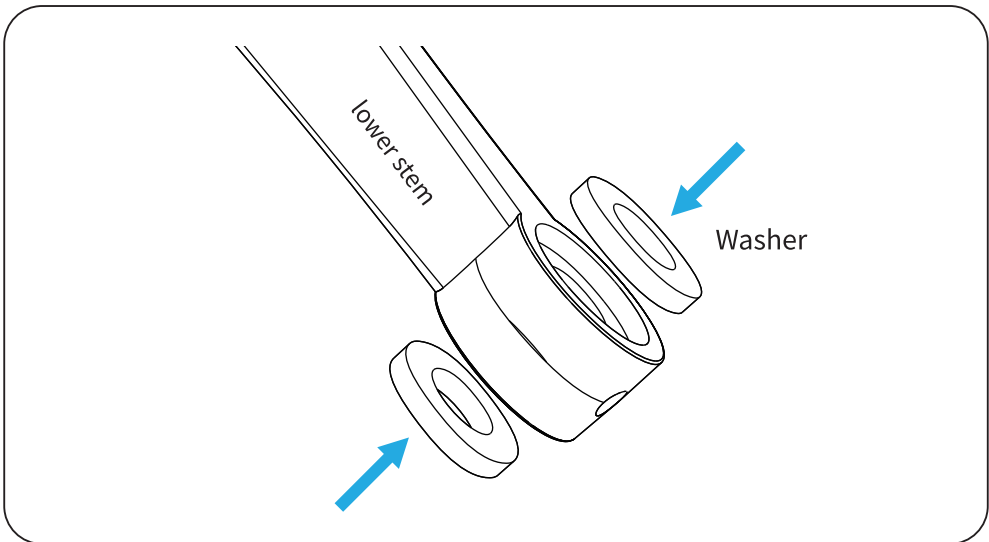
STEP 4

Unscrew the fixing knob on the lower stem and remove the knob connector.



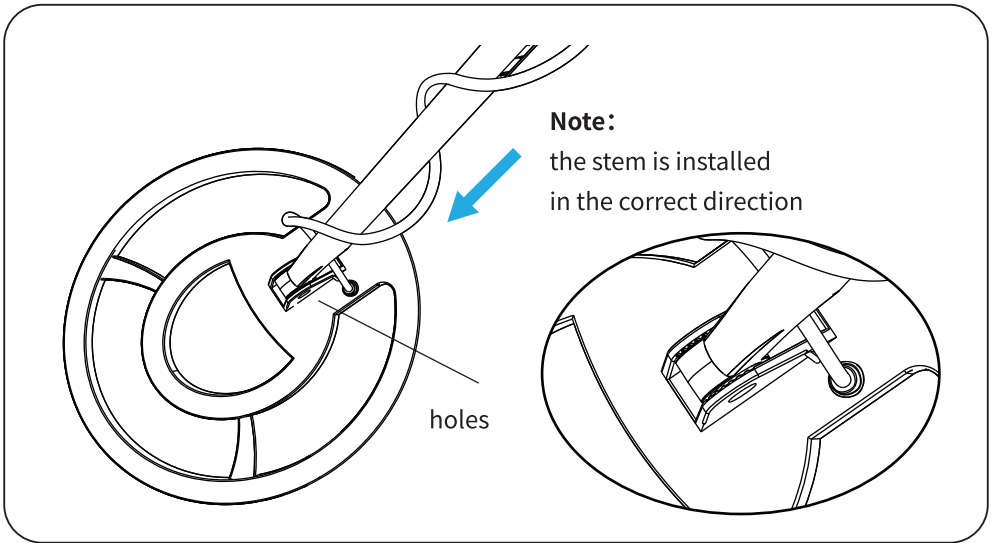
STEP 5

Place the washers into the groove of the lower stem.



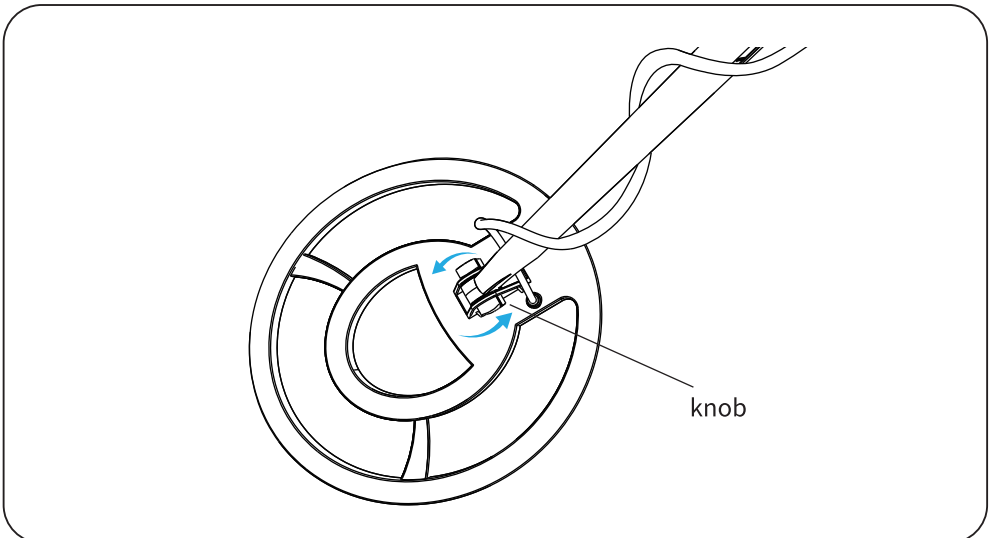
STEP 6

Insert the stem and align the holes on the search coil bracket and the stem.



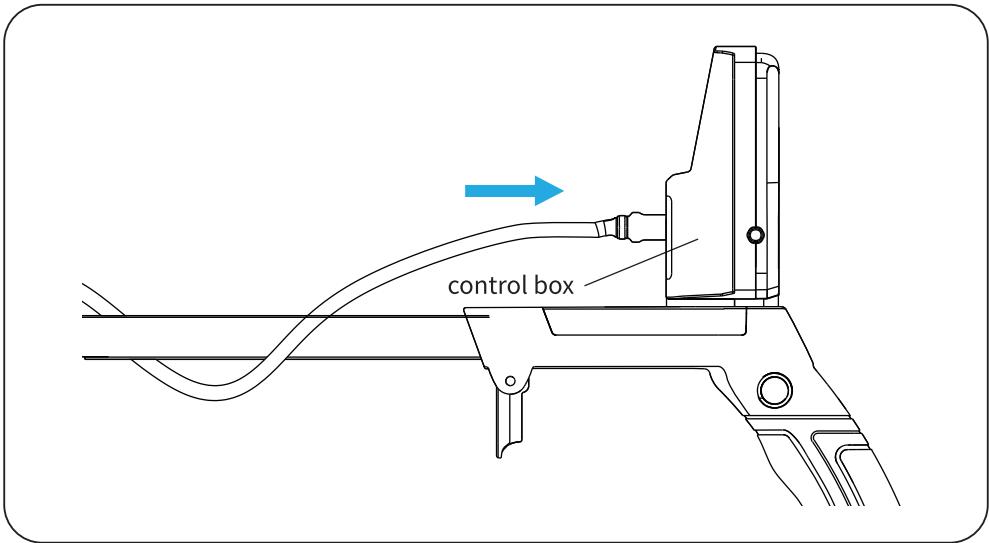
STEP 7

Push the connector through the holes and tighten the knob.



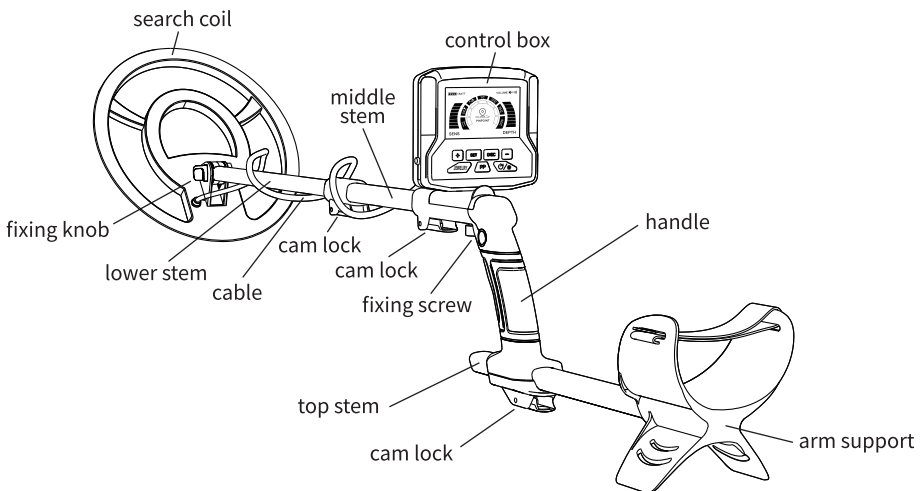
STEP 8

Wind the search coil cable around the stem. Insert the search coil's cable plug into the five-pin jack at the back of the control box and tighten the nut properly.



STEP 9

Release the cam lock on the top stem, adjust the stem length as you need and then tighten the lock.

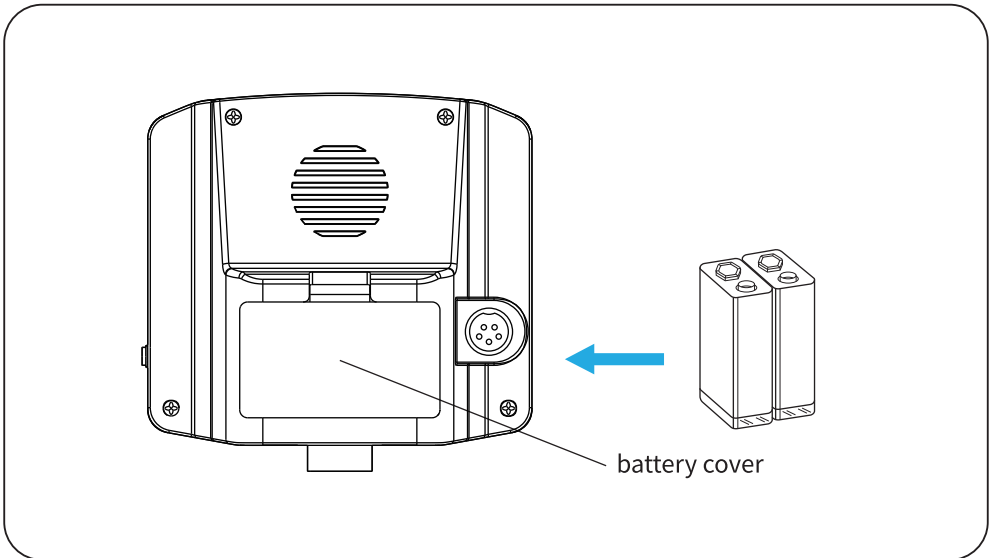


CAUTION:

- Do not over-tighten the search coil or use tools such as pliers to tighten it.
- The search coil's plug fits into the connector only in one way. Do not force the plug and do not pull on the cable or you could damage it.

STEP 10

1. Turn off the power before installing the batteries.
2. Take the battery cover off.
3. Place two 9V alkaline batteries into the battery compartment matching the polarity symbols ("+" or "-") marked inside.



Note: The detector will maintain full performance until the batteries need to be replaced. Replace batteries when there is no segment remaining on battery level indicator. Alkaline batteries should be used.

Warning:

- Dispose of old batteries properly. Never bury or burn them.

Cautions:

- Use only fresh alkaline batteries of required size.
- Do not mix the old and new batteries or different types of batteries.
- If you don't plan to use the detector for a week or more time, remove the batteries. Batteries can leak chemicals that can destroy electronic parts.

USING HEADPHONES

1. It is recommended to choose the headphones with volume control.
2. Insert the headphones' 3.5mm plug into the headphone jack at the left side of the control box. At this time the internal speaker disconnects.

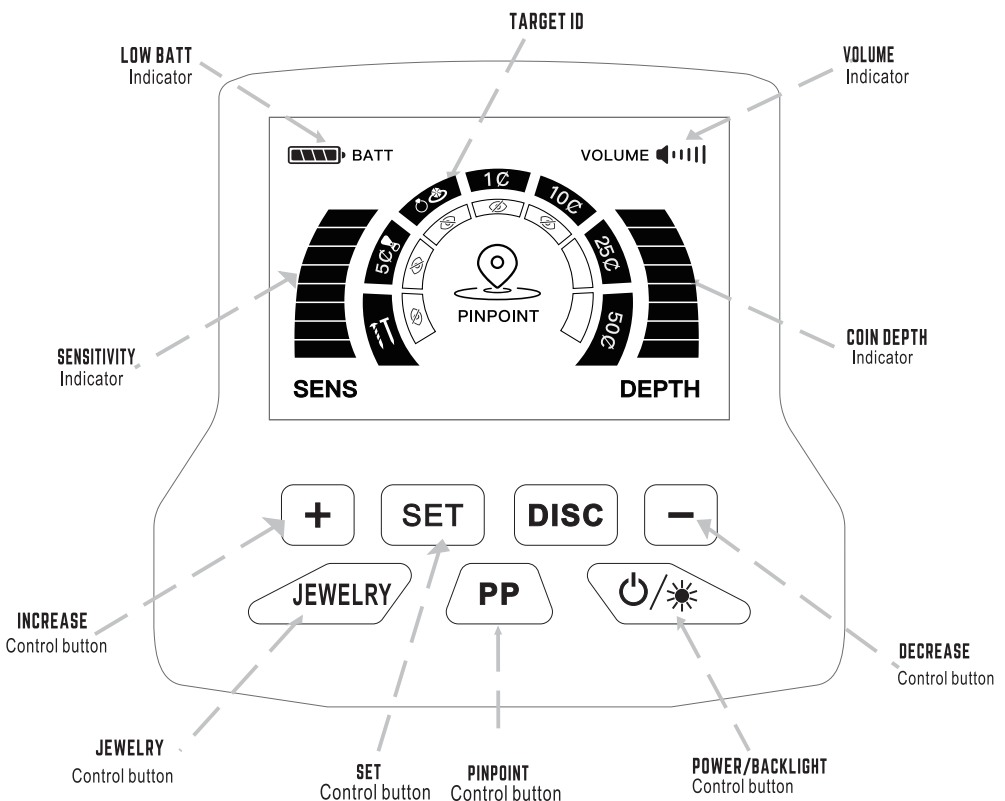
USING BACKLIGHT

In dark area, you can use BACKLIGHT for better searching. Press **BACKLIGHT** button to turn on the backlight. Press it again to turn the light off.

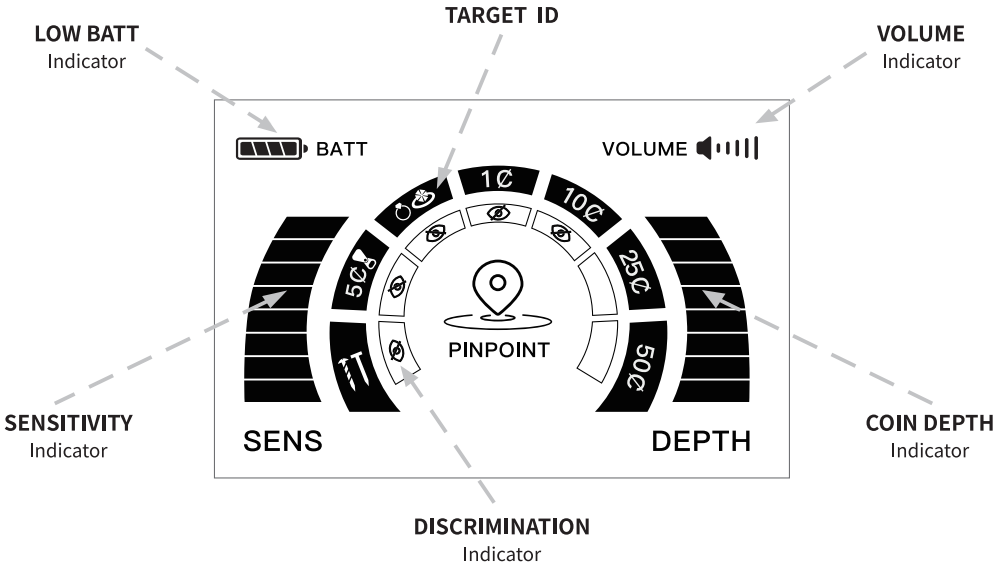
Note:

As the light consumes more power, it's better to turn off the backlight in normal environment.

CONTROL PANEL



01 LCD DISPLAY



02 CONTROL BUTTONS

POWER: Press the button to power on the detector. Press it again to power off the detector.

SET: Press the button to set the level of sensitivity or volume.

DISC: Press the button to set the discrimination range working with "+" or "-".

BACKLIGHT: Press it to turn on the backlight. Press it again to turn the light off.

Note: As the backlight consumes more power, it's better to turn off it in light places.

INCREASE: Press it to increase the level of sensitivity or volume and the range of DISC (discrimination).

DECREASE: Press it to decrease the level of sensitivity or volume and the range of discrimination.

PP: Press it to find the precise target location at any time.

Search coil motion is not required, a motionless search coil over a metal target will induce sound.

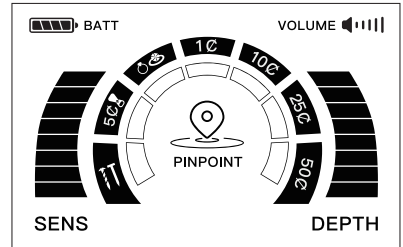
SEARCH MODES

The detector includes four search modes: A-M (ALL METAL), DISC, Notch, PINPOINT. Select the mode that suits the targets you hope to find.


01 A-M(ALL METAL) MODE

This mode is designed to detect all types of metal.

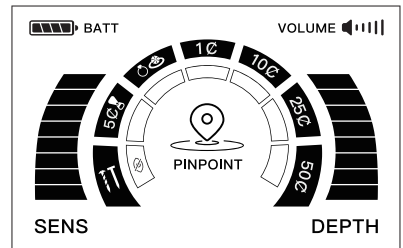
If you don't set the discrimination range or eliminate any metal target, there will not be cross mark in the blank frame under any metal target icon. In this case, the detector can detect all kinds of metal. When the detector finds metal, it sounds and the target icon flashes. Meanwhile LCD displays the depth of the target.



02 DISC (DISCRIMINATION) MODE

The DISC mode can eliminate the unwanted metal targets and works with "+" or "-".
a. You can eliminate the unwanted target(s) in sequence from left to right. Press **DISC**, the blank frame below the target icon flashes. Then press "+". Press **DISC** again to confirm the elimination. At this time, a cross mark  will appear in the frame below the unwanted target icon which means this target will not be detected by the detector.

For example, if you don't want iron, press **DISC**, the blank frame below the nail icon flashes. Then press **DISC** again. A cross mark will appear in the frame. In this case, the detector will have no response to iron.



b. You can also choose any unwanted metal target by pressing "+" or "-" to move the cursor to the unwanted metal icon. Then press **DISC** again to confirm the elimination. A cross mark will appear in the frame below the eliminated target icon. The detector will not detect such target. In this case, the function is same as NOTCH.

c. User can choose several targets to be eliminated by using **DISC** mode. But silver target such as 50 cent coin or 25 cent can't be eliminated. Because they are valuable.

d. To recover the eliminated target ID, simply move the cursor to the relative target icon by pressing "+" or "-" and press **DISC** again. Then the cross mark will disappear.

03 PP (PINPOINT) MODE

After you find a metal object, you can use PP to find the exact location of the target.

(1) Press and hold PP button, PINPOINT icon on LCD flashes. When LCD displays steady PINPOINT, you can start to move the search coil slowly above the sound area. If the detector finds the target, it sounds a tone and the target icon flashes. Meanwhile the depth of the target is displayed on LCD.

(2) Press PP button again. After steady PINPOINT displays, sweep the search coil, keeping the same distance of search coil, sound disappears. Closer the search coil to the sound area, the detector sounds again.

Repeat the above steps until the detector displays the constant signal where the location of the target is.

ADJUSTING SENSITIVITY

Press **SET**, **SENSITIVITY** indicator flashes. Then press "+" or "-" to set the desired sensitivity level.

Note: Cell phones, cell phone towers, etc... all produce interference signals and will cause the detector to beep when no metal is present, and sometimes to beep erratically.

If the detector beeps erratically or beeps when there are no metal objects being detected, reduce the sensitivity.

ADJUSTING VOLUME

Press **SET** twice, **VOLUME** indicator flashes. Then press "+" or "-" to set the desired volume level.

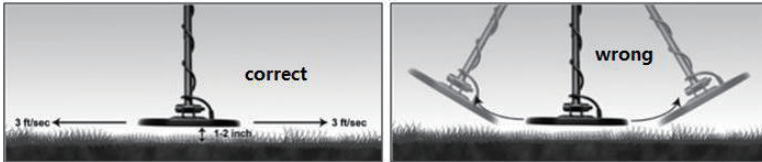
Note: The detector will memorize the settings before turning off the power.

OPERATION

Hold the search coil level to the ground about 1~2 inches above the surface, slowly move the search coil over the area where you placed the sample, sweeping the search coil in a side-to-side motion.

01

Never sweep the search coil as if it were a pendulum. Raising the search coil while sweeping or at the end of a sweep will cause false readings.



02

Sweep slowly, hurrying will cause you to miss targets.

03

It's better you sweep the search coil from side to side in an arc line of 3 inches motion and keep the search coil parallel with the ground.

If the detector detects the item, it sounds a tone, and the target icon flashes. Meanwhile LCD displays the depth of the target.

If the detector does not detect the item, make sure that the DISC (discrimination) is set correctly for the type of metal you're searching for. Please also make sure that you're moving the search coil correctly.

NOTES:

- The detector responds with a signal when it detects most valuable metal objects. If a signal does not repeat after you sweep the search coil over the target a few times, the target is probably junk metal.
- False signals can be caused by trashy ground, electrical interference, or large irregular piece of junk metal.
- False signals are usually broken or non-repeatable.
- If you are using a coin, the detector will detect it more easily if you hold it so a flat side is parallel with the flat side of the search coil. A sweep with the side of coin over search coil might cause false indication and unstable display of target.

TEST PROCEDURE

Turning on the detector → Setting DISC → Adjusting sensitivity

Find a ground without metal → Place the test metal → Start testing

TARGET INDICATIONS

Target	Iron	5 cent Pull tab	S-caps Jewelry	1cent/zinc S-caps	10 cent Copper	25 cent Silver coin	50 cent Silver coin
Tone	Low	Medium	Medium	Medium	High	High	High
ID Display (flash)							

Note: There is a wide variety of metals and no target can be identified for certain until unearthed. This table is for general reference only.

FACTORS THAT AFFECT THE DETECTING

It's difficult to have an accurate detecting result. Sometimes the detecting may be restricted by some factors:

- The angle of the target buried in the soil.
- The depth of the target.
- The level of oxidization of the target.
- The size of the target.
- Electro-magnetic and electrical interference surrounding the target.

In area of highly mineralized ground, or fertile ground, or wet sand, the detector will sound even if there is no metal. In this case, you can lower the sensitivity.

Meantime enhance the distance between the search coil and the ground.

Metallic digging tools will also affect the detection if they are near the search coil.

It's better to place them a little far away.

TROUBLESHOOTING GUIDE

Problem	Reason	Suggestion
The detector displays or sounds without detecting any target	<ol style="list-style-type: none"> 1. The detector may receive interference and false signal from broadcast antenna and other electronic lines. 2. The humidity of environment may be extremely high. 	<ol style="list-style-type: none"> 1. Change searching place. 2. Wait for some time to check again.
The detector sounds false signals	<ol style="list-style-type: none"> 1. Sensitivity set too high/ environmental electromagnetic interference. Sweeping the detector' s 2. search coil too fast or at wrong angle. 3. Using 2 detectors in close proximity. 	<ol style="list-style-type: none"> 1. Reduce sensitivity. 2. Sweep the search coil more slowly and hold the detector correctly. 3. Keep two detectors at least 6 meters (20') apart.
The detector does not detect anything	<ol style="list-style-type: none"> 1. Sensitivity set too low. 2. Target range is eliminated. 3. Search coil is not parallel to the ground. 	<ol style="list-style-type: none"> 1. Increase sensitivity. 2. Recover all target range. 3. Adjust the search coil angel to be parallel to the ground.
LCD display multiple target categories or emits several sounds at once	<ol style="list-style-type: none"> 1. There may be over one kind of metal targets. 2. The detector can' t identify the target. Sometimes, oxidized metal also causes the excursion of target arrow and tone. 	<ol style="list-style-type: none"> 1. Reduce the sensitivity to eliminate the detection of the deeper target. 2. Sweep the search coil with different angles.
The detector does not function	<ol style="list-style-type: none"> 1. 1.Five-pin cable not connected well. 2. Dead battery. 	<ol style="list-style-type: none"> 1. Re-plug it properly. 2. Replace batteries.



Made in China

✉ service@sakobs.cc