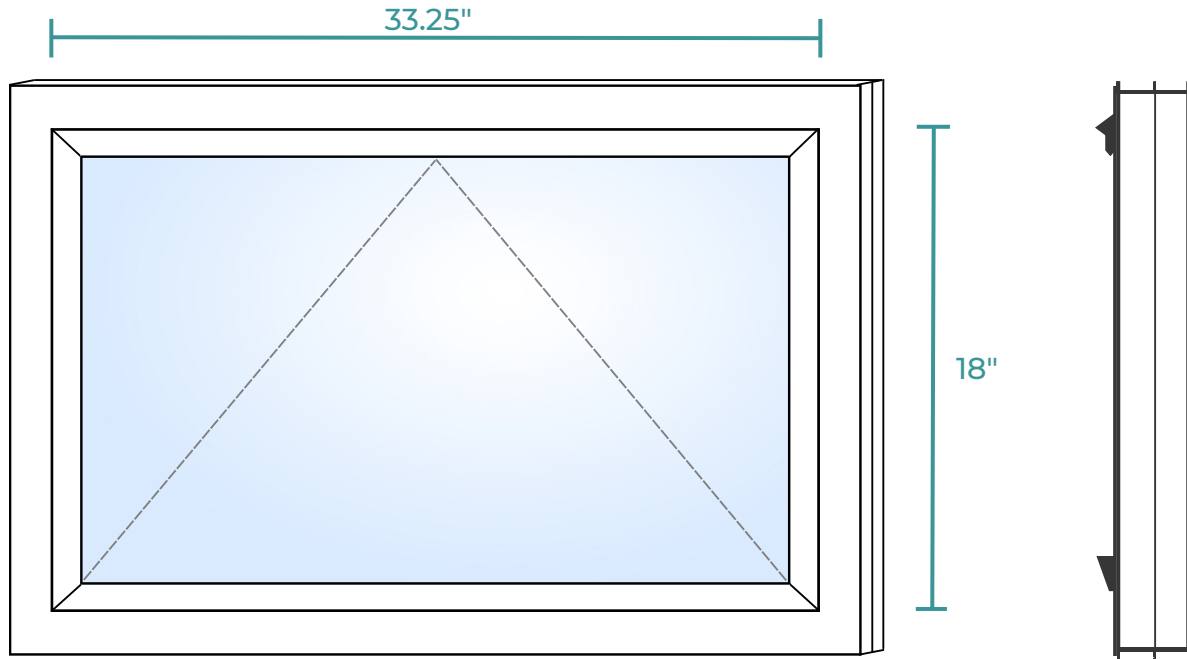


38"w x 24.5"h Reverse Hopper



Recommended Rough Opening: 38.5"w x 25"h



Measurement	Dimension	Area	Frame Thickness
Window Frame	38"w x 24.5"h		3.25"
Clear Opening	33.25"w x 18"h	4.16 Sq. Ft.	
Visible Glass	30.75"w x 17.25"h	3.68 Sq. Ft.	

Component Details

PVC frame and sash with mitre cut welded corners
Aluminum lock and keeper mechanisms
Steel frame and sash hinge brackets
Removable spring-loaded insect screen

Glass Details

Double Pane
Argon Gas Filled
Low-E 180 Coating
U-factor: 0.26*

In-swinging | hinges along top

Testing Details

Forced-entry Resistance Test (ATSM F588)
F10 Rating

Thermoplastic Corner Weld Test (Clause 9.3.6.2)
Pass

Air Leakage Resistance Test (ATSM E283)

A3 Level
Infiltration = 0.038 cfm/ft² - A3 Level
Exfiltration = 0.047 cfm/ft² - A3 Level

Water Penetration Resistance Test (ATSM E547)

No Leakage at 580 Pa
(DP 80 - 12.0 psf)

*To mitigate against supply chain disruptions, we source glass from multiple suppliers. There may be a slight difference in the U-factor depending on the glass used in each unit.

+1 (833) 565-1199

hello@thegreatesco.com

2236 Shirley Drive, Kitchener

www.thegreatesco.com