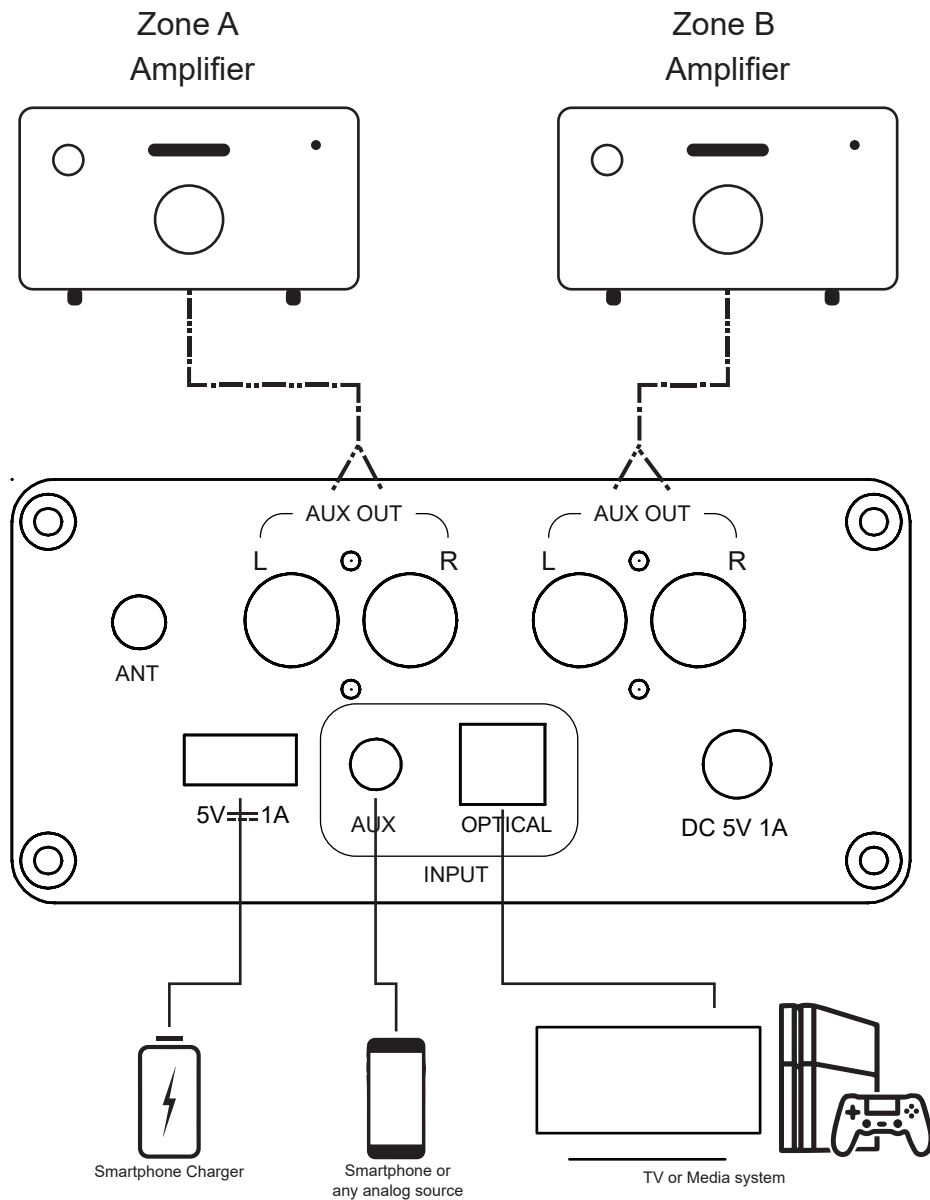


3.Connections



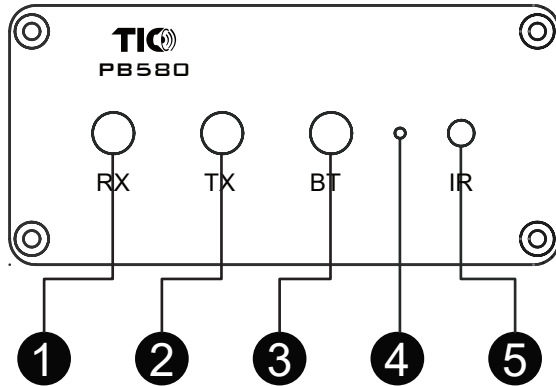
BLUETOOTH V5.0 **Bluetooth 5.0 Receiver & Transmitter** **WITH IR REMOTE**

MODEL: PB580 QUICK START GUIDE

Contact Us:
15224 Stafford St
City of Industry, CA 91744

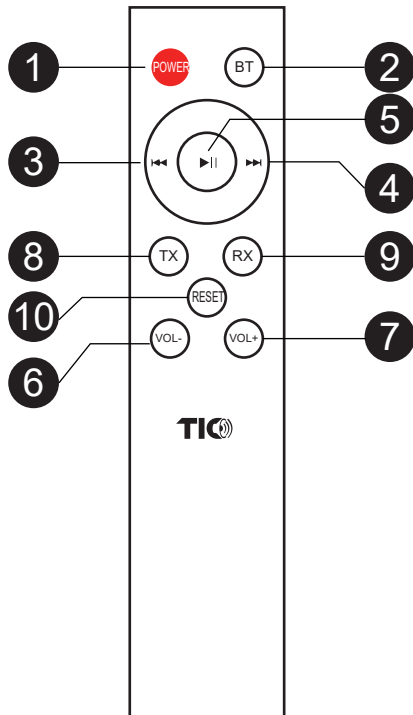
626-968-0211
626-839-9018
www.ticcorp.com/support

1.Functions



1. Bluetooth Button Mode
2. Transmitter Mode
3. Receiver Mode
4. Bluetooth light
5. IR Remote Control

2.Remote Control



1. Power Button
2. Bluetooth Button
3. Previous Track
4. Next Track
5. Play/Pause
6. Decrease Volume
7. Increase Volume
8. Transmitter Mode
9. Receiver Mode
10. Reset Button

QUICK START GUIDE

Tic Pb580 Bluetooth 5.0 Receiver-Transmitter Adds Convenient Wireless Bluetooth And Multi-Device Capability To Two Existing Audio Amplifiers/receivers.

BASIC SETUP/CONNECTION

Screw in the provided antenna on the back panel. Connect up to two existing audio amplifiers/receivers/devices via RCA cables (not included) in the back panel. Depending on the input option on your device, you may use RCA-to-RCA cable or RCA-to-3.5mm cable.

BLUETOOTH INPUT SETUP

Connect your smartphone/tablet/Bluetooth device to PB580 by double-clicking BT button on the front panel. Upon seeing the blue BT indicator flashing, choose "TIC BT SPEAKER" from your device's Bluetooth setting menu. Once connected, the blue BT indicator will be solid.

OPTIONAL MULTI-ROOM SETUP

You can connect to other compatible TIC Bluetooth 5.0 devices to create a Multi-Device network. Press TX button to initiate transmitter mode. Within 30 seconds, press RX button on a compatible device to initiate receiver mode. Compatible devices within range will automatically connect.