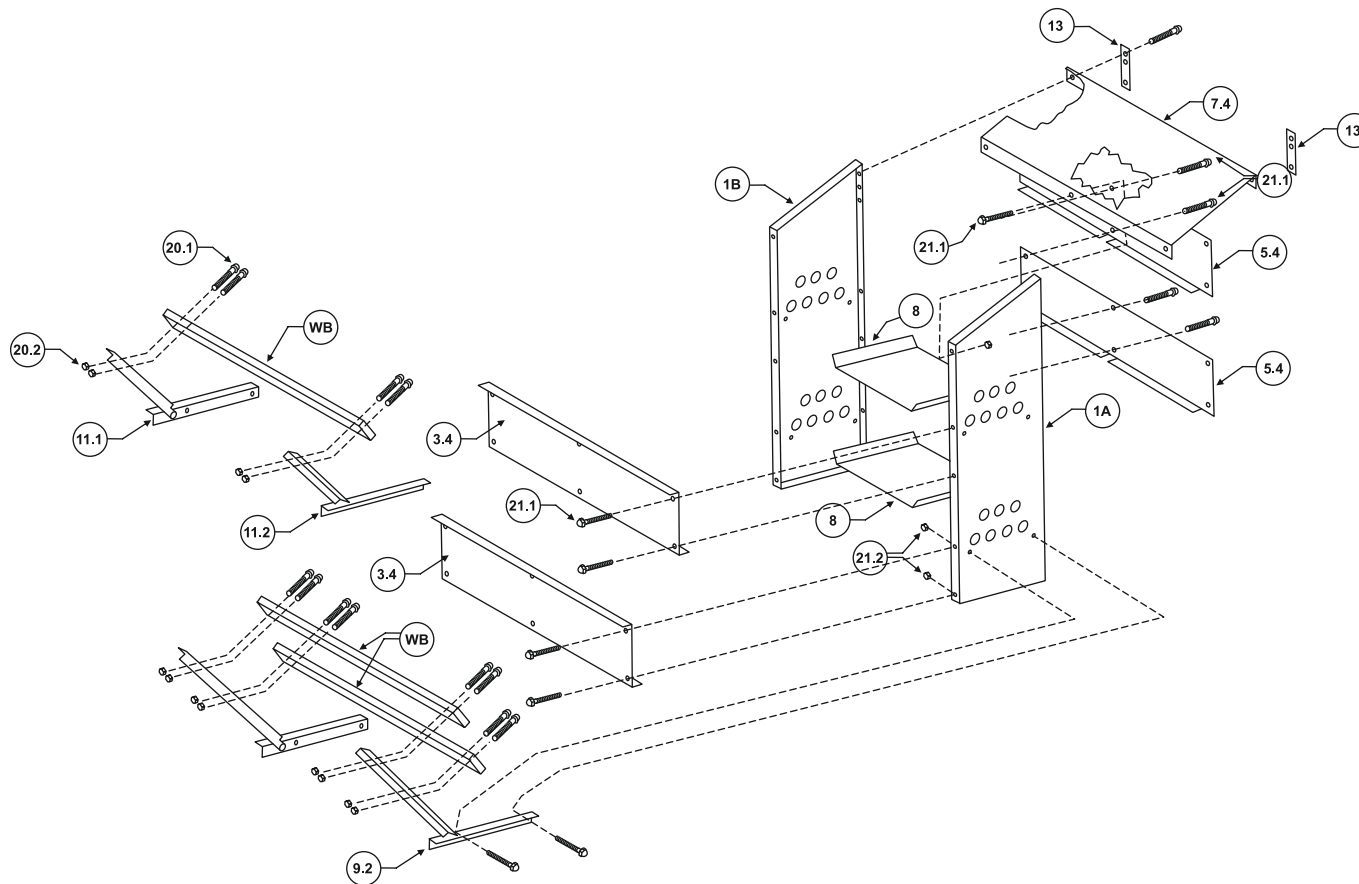


# INSTALLATION INSTRUCTION FOR CHICKEN NESTING HOUSE 0300114



DO NOT TIGHTEN ANY FASTENERS UNTIL INSTRUCTED TO DO SO!

- STEP 1: Lay roof panel (Ref. No 7.4) upside down. Attach the two side panels using M5x12mm machine screws and M5 nuts (Ref. No 21.1 and 21.2) Tighten fasteners turn nest over.
- STEP 2: Attach front and back panels using M5x12mm machine screws and M5 nuts (Ref. No 21.1 and 21.2) Hand tighten only. The panels are: Front Top (Ref. No. 3.4) has two lips Front Bottom (Ref. No. 3.4) has two lips Back Top (Ref. No 5.4) has one lip Back Bottom (Ref. No 5.4) has one lip
- STEP 3: Attach long and short perch assemblies using M5x12 mm machine screws and M5 nuts (Ref. No. 21.1 and 21.2). All perch assemblies go on the outside of the 2 outside panels. Both long and short perch assemblies have a left and a right. Hand tighten only.
- STEP 4: Attach the 3 Wood Boards (Ref. No. WB) using M6x40 mm screws and M6 hex nuts (Ref No 20.1 and 20.2) Tighten.
- STEP 5: Attach hanger brackets (Ref. No 13) to the back of both upper corners using M5x12mm machine screws and M5 nuts (Ref. No 21.1 and 21.2) Now tighten all fasteners.
- STEP 6: Insert bottom plates (Ref. No 8) in each opening.

Your nest is ready for use.

Note: Ref.N 13 hanger brackets are provided for wall mounting.