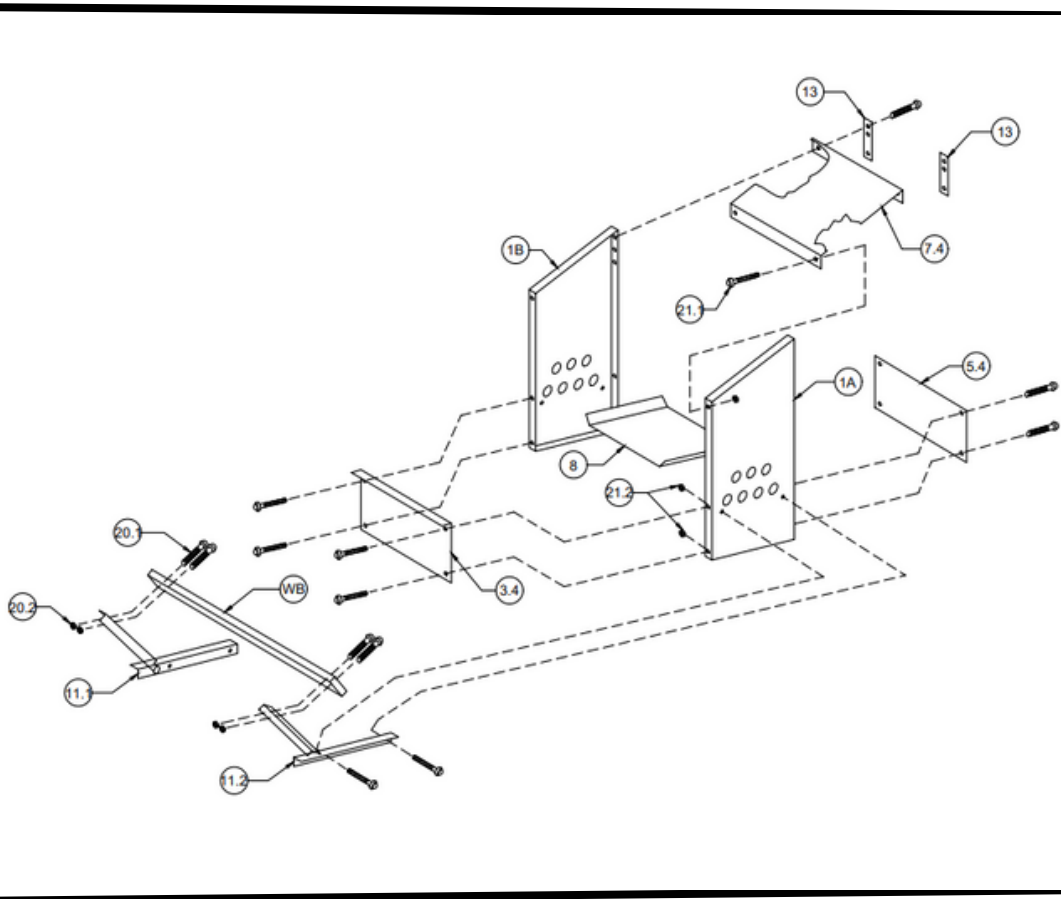




# ASSEMBLY INSTRUCTIONS FOR 0300110

**Step 1: Lay roof panel (PT # 7.1) upside down. Attach the 3 side panels (Labeled 1B & 1A) with small screws and nuts (PT # 21.1 and 21.2) Tighten fasteners and flip nesting house over.**



**Step 2: Attach the Front and Back Panels using the smaller screws and nuts. (PT # 21.1 and 21.2).**

**Panels are as follows:  
Front bottom panel (PT # 3.4)  
Note: This panel has two lips, no notch.  
Back Bottom panel (PT # 5.4)  
Note: This panel has one lip, no notch.  
Hand tighten.**

**Step 3: Attach perch arms (PT # 11.2 Right and 11.1 Left) to the side panels using the smaller screws and nuts (PT # 21.1 and 21.2).**

**Note: Perch arms lift toward the sky and are set on the outside of the nesting house.  
Hand tighten.**

**Step 4: Attach the wooden board (PT # 1 WB) using the large screws and nuts (PT # 20.1 and 20.2)**

**For wall mounting there are TWO hangers (PT # 13) provided.  
Attaching the hangers for wall mounting: Attach hanger brackets (PT # 13) to the back of BOTH upper CORNERS using small screws and nuts (PT # 21.1 and 21.2) that were provided.**

**Step 5: Tighten all Fasteners! Insert nest bottom (PT # 8) in each opening.  
Note: These are removable for easy cleaning.**

**Congratulations! You have completed the nesting house!  
For any questions or concerns please contact us via phone (870)-869-9922 or email us at [sales@best-metal-products.com](mailto:sales@best-metal-products.com)**

