



ASSEMBLY INSTRUCTIONS FOR 0300108

Step 1: Lay roof panel (PT # 7.2) upside down. Attach the 4 side panels (Labeled 1B & 1A) with small screws and nuts (PT # 21.1 and 21.2) Tighten fasteners and flip nesting house over.

Step 2: Attach the Front and Back Panels using the smaller screws and nuts. (PT # 21.1 and 21.2).

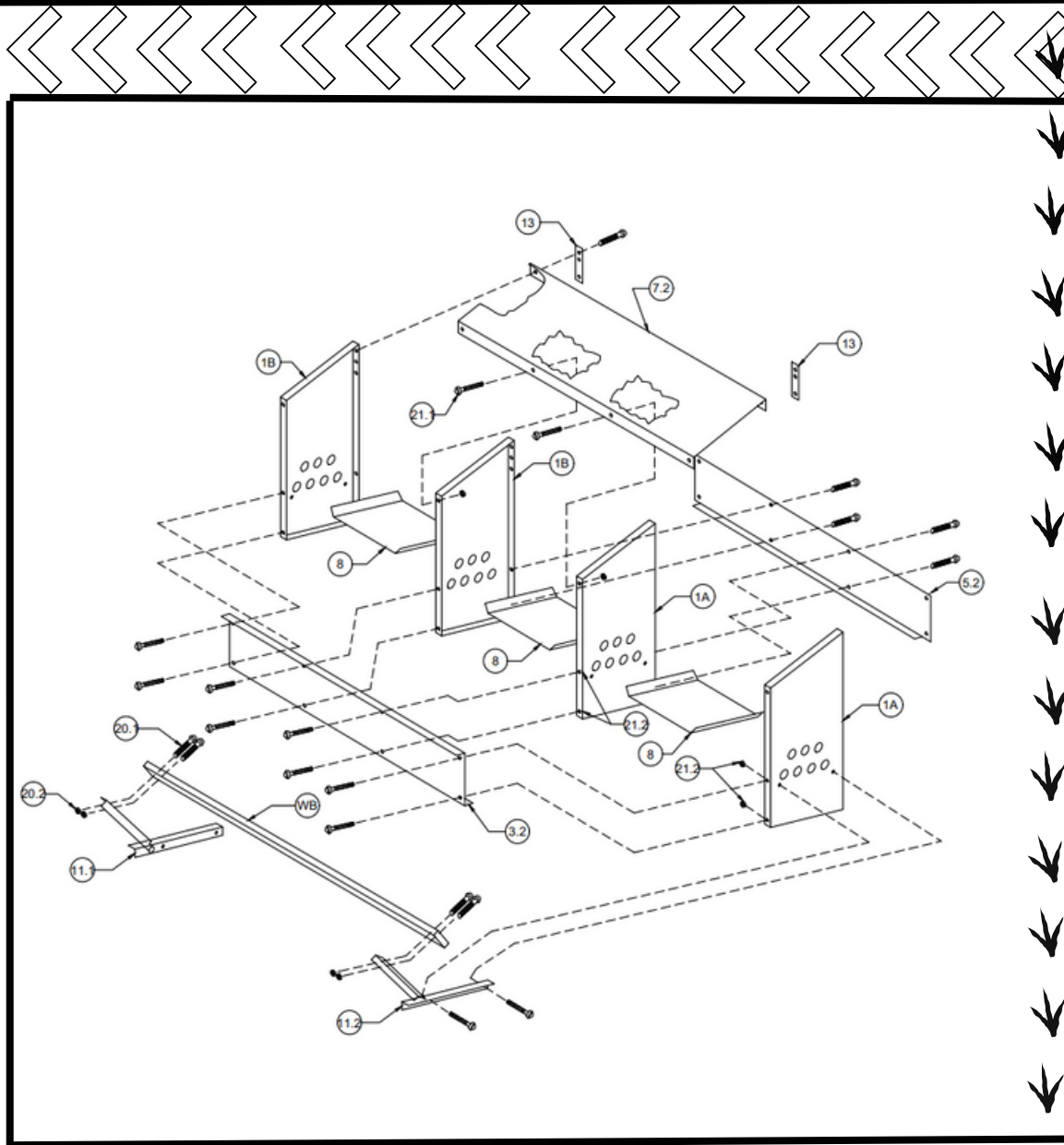
Panels are as follows: Front bottom panel (PT # 3.2)

Note: This panel has two lips, no notch.

Back Bottom panel (PT # 5.2) Note: This panel has one lip, no notch. Hand tighten.

Step 3: Attach perch arms (PT # 11.2 Right and 11.1 Left) to the side panels using the smaller screws and nuts (PT # 21.1 and 21.2).

Note: Perch arms lift toward the sky and are set on the outside of the nesting house. Hand tighten.



Step 4: Attach the wooden board (PT # 1 WB) using the large screws and nuts (PT # 20.1 and 20.2)

For wall mounting there are TWO hangers (PT # 13) provided.

Attaching the hangers for wall mounting: Attach hanger brackets (PT # 13) to the back of BOTH upper CORNERS using small screws and nuts (PT # 21.1 and 21.2) that were provided.

Step 5: Tighten all Fasteners! Insert nest bottom (PT # 8) in each opening.

Note: These are removable for easy cleaning.

Congratulations! You have completed the nesting house!

For any questions or concerns please contact us via phone (870)-869-9922 or email us at sales@best-metal-products.com

