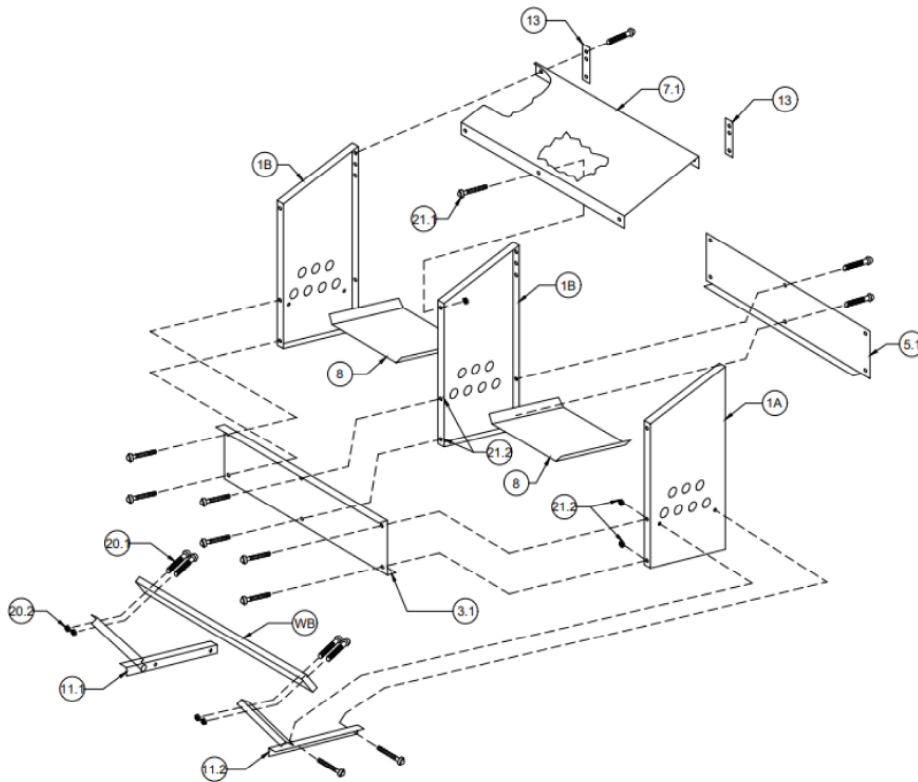


# ASSEMBLY INSTRUCTIONS FOR 0300107

**Step 1: Lay roof panel (PT # 7.1) upside down. Attach side panels with small screws and nuts (PT # 21.1 and 21.2) Tighten fasteners and flip nesting house over.**

**Note: There are 2 left panels and 1 right panel**



**Step 2: Attach Front bottom panel (PT # 3.1) using the smaller screws and nuts (PT # 21.1 and 21.2). -- This panel has two lips with NO notches.**

**Then attach the Back bottom panel (PT # 5.1) using the smaller screws and nuts (PT # 21.1 and 21.2). -- This panel has one lip with NO notches.**

**Hand tighten.**

**Step 3: Attach perch arms (PT # 11.2 Right and 11.1 Left) to the side panels using the smaller screws and nuts (PT # 21.1 and 21.2).**

**Note: Perch arms lift toward the sky and are set on the outside of the nesting house. Hand tighten.**

**Step 4: Attach the wooden bords (PT # 1) using the large screws and nuts (PT # 20.1 and 20.2)**

**For wall mounting there are TWO hangers (PT # 13) provided.**

**Attaching the hangers for wall mounting: Attach hanger brackets (PT # 13) to the back of BOTH upper CORNERS using small screws and nuts (PT # 21.1 and 21.2) that were provided.**

**Step 5: Tighten all Fasteners! Insert nest bottom (PT # 8) in each opening.**

**Note: These are removable for easy cleaning.**

**Congratulations! You have completed the nesting house!**

**For any questions or concerns please contact us via phone (870)-869-9922 or email us at [Sales@best-metal-products.com](mailto:Sales@best-metal-products.com)**

