



US00D945729S

(12) **United States Design Patent**
Mobley et al.

(10) **Patent No.:** **US D945,729 S**

(45) **Date of Patent:** **** Mar. 8, 2022**

(54) **BRUSH FOR CLEANING A GRILL**

(71) Applicant: **Grill Rescue LLC**, Palm City, FL (US)

(72) Inventors: **Scott Jacob Mobley**, Palm City, FL (US); **Anthony Tranchida**, Palm City, FL (US)

(73) Assignee: **GRILL RESCUE LLC**, Palm City, FL (US)

(**) Term: **15 Years**

(21) Appl. No.: **29/715,568**

(22) Filed: **Dec. 3, 2019**

(51) **LOC (13) Cl.** **07-05**

(52) **U.S. Cl.**
USPC **D32/46; D4/137**

(58) **Field of Classification Search**
USPC **D32/46, 49-52; D7/688**
CPC **A47L 13/10; A47L 13/12**
See application file for complete search history.

(56) **References Cited**

U.S. PATENT DOCUMENTS

D345,653	S *	4/1994	Joyner	D4/138
D358,491	S *	5/1995	Hoagland	D32/42
D429,889	S *	8/2000	Fielding	D32/42
6,966,094	B1 *	11/2005	Rigakos	A47J 37/0786 15/111
D540,543	S *	4/2007	Hay	D4/118
D562,009	S *	2/2008	Zemel	D4/118
D664,319	S *	7/2012	Thompson	D32/46
8,438,687	B2 *	5/2013	Cybalski	A47J 37/0786 15/111
D715,506	S *	10/2014	Binne	D32/46
9,210,993	B2 *	12/2015	Gonzalez	A46B 7/04
D750,336	S *	2/2016	Taylor, III	D32/49
9,357,832	B2 *	6/2016	Gonzalez	A46D 1/0207

D814,803	S *	4/2018	Zemel	D4/131
D833,153	S *	11/2018	Zemel	D4/118
2005/0011029	A1 *	1/2005	Yu	A47L 13/12 15/111

FOREIGN PATENT DOCUMENTS

GB 1046315 * 11/1987

OTHER PUBLICATIONS

Grill Brush w/Scraper Default Title | The best grill brush, https://grillrescue.com/products/grill-brush-w-scraper?variant=35829614346399&utm_me... site visited Dec. 5, 2020.*

* cited by examiner

Primary Examiner — John R Yeh

(74) *Attorney, Agent, or Firm* — Kilpatrick Townsend & Stockton LLP

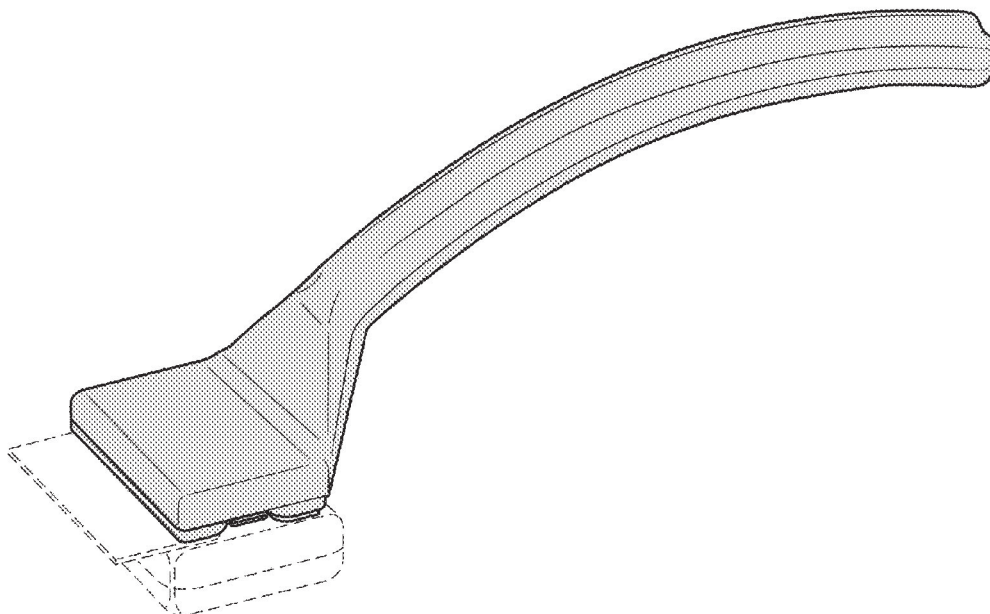
(57) **CLAIM**

We claim the ornamental design for a brush for cleaning a grill, as shown and described.

DESCRIPTION

FIG. 1 is a front, left side, top perspective view showing our new design for a brush for cleaning a grill;
FIG. 2 is left side view thereof;
FIG. 3 is a front view thereof;
FIG. 4 is right side view thereof;
FIG. 5 is a rear view thereof;
FIG. 6 is a top view thereof; and,
FIG. 7 is a bottom view thereof.
The broken lines depict portions of the brush for cleaning a grill that form no part of the claimed design.

1 Claim, 4 Drawing Sheets



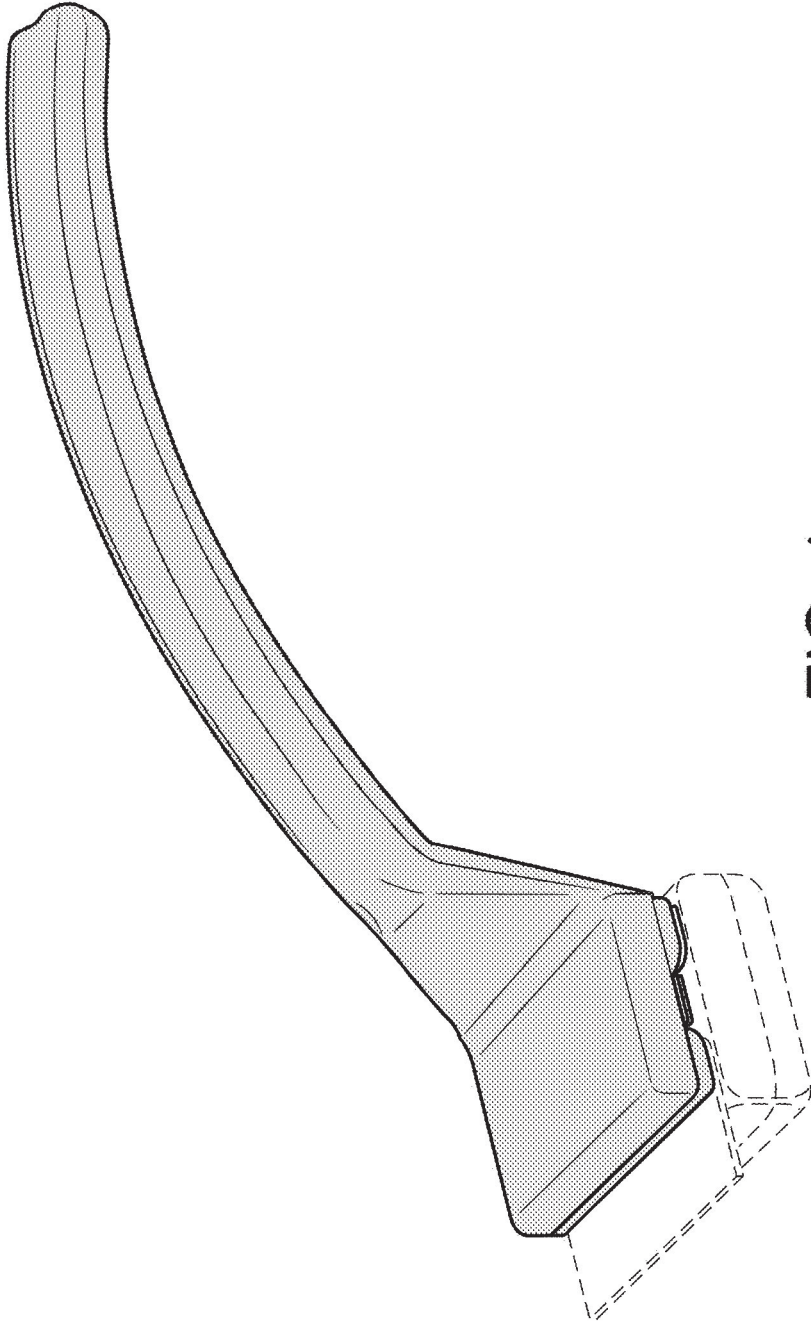


FIG. 1

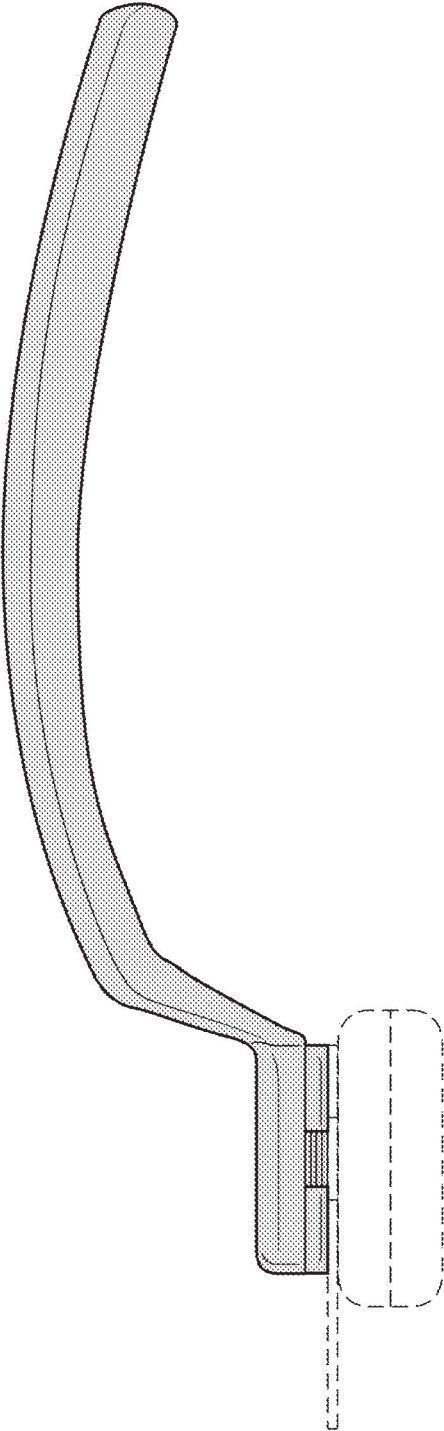


FIG. 2

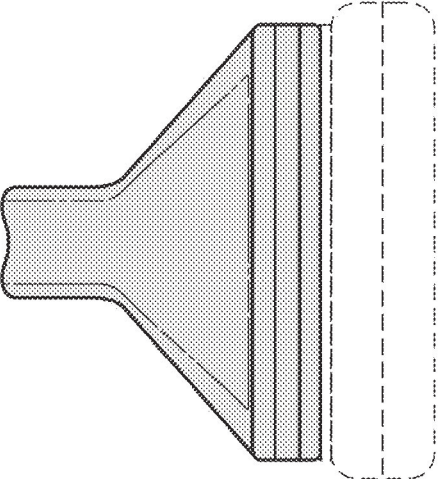


FIG. 3

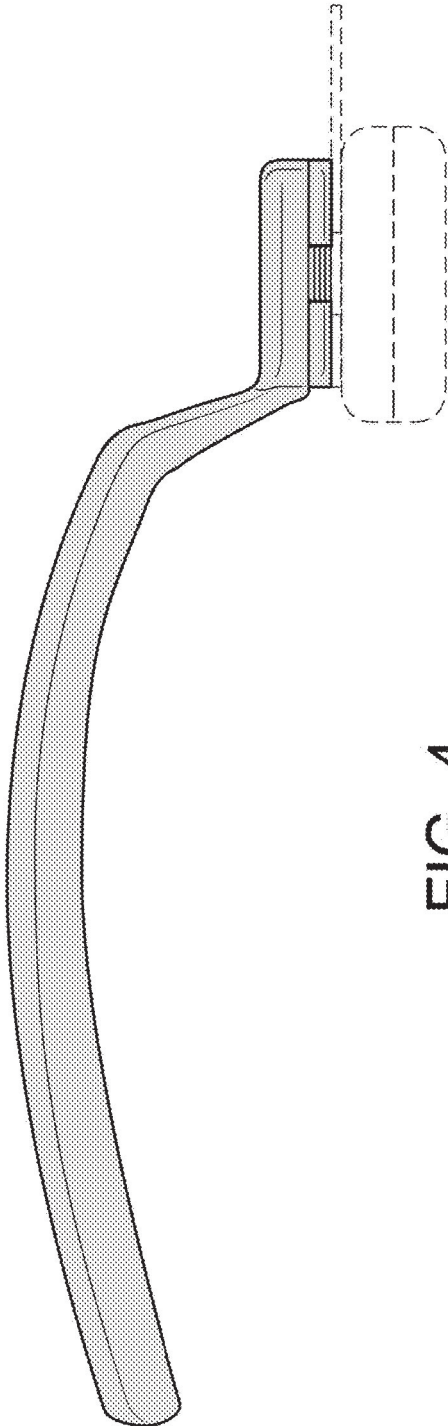


FIG. 4

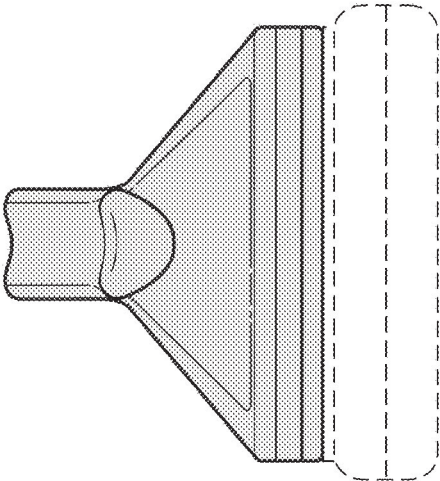


FIG. 5

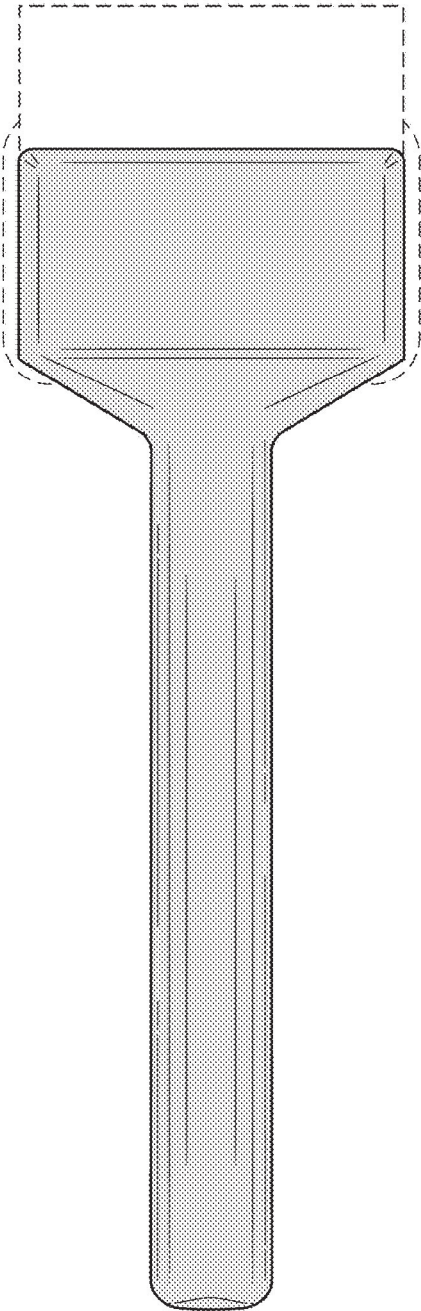


FIG. 6

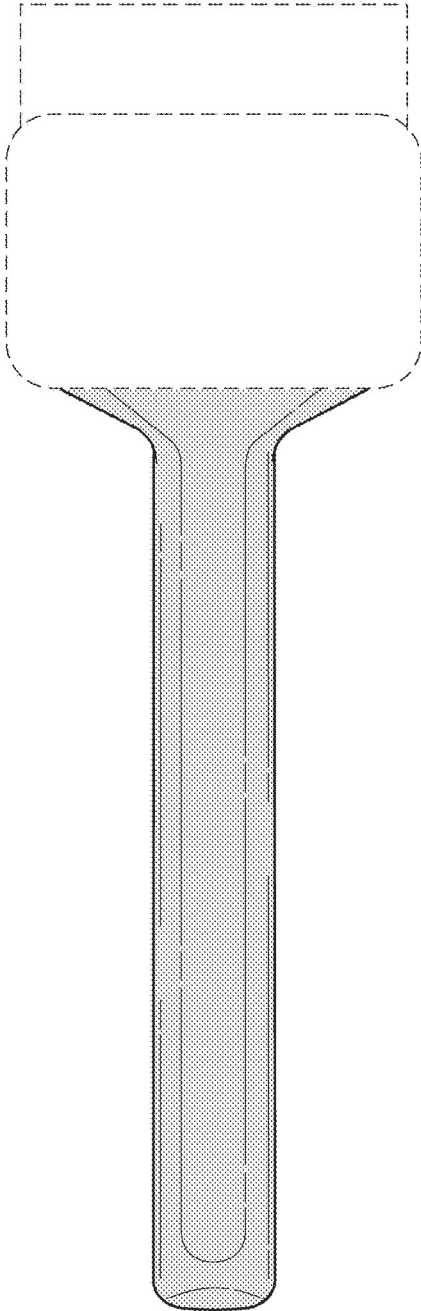


FIG. 7