

Model: BLZ-PROPB (LP/NG)



Features:

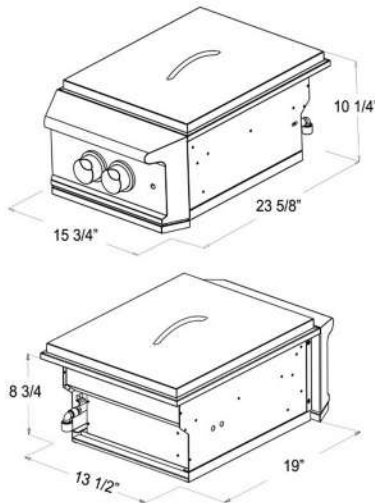
- Introducing an affordable power burner that incorporates a narrow footprint and an efficient design which boils water in half the time as other power burners on the market
- At 15 3/4 inches wide, the Blaze Professional Power Burner gives you more room for additional components or more counter space for prepping and other tasks
- This power burner also sports signature SRL LED control knob illumination for cooking and entertaining at night
- Blaze power burners are made from stainless steel and include a removable stainless steel lid to protect the burner when not in use
- The cooking grid is constructed from heavy-duty stainless steel rods with a removable 9-inch inner ring for cooking with a wok
- This power burner features two, individually controllable burner rings
- The inner ring is rated for 25,000 BTUs, and the outer ring is rated for 35,000 BTUs. The burners are lit with a simple push and turn ignition. This dual ring design is ideal for cooking versatility
- The inner burner is great for simmering sauces, or use both burners when boiling shrimp or frying fish. Cooking with the outer ring is perfect for large skillets and pans, as the high heat allows the pan to heat up quickly. The burner ring is made from commercial quality, 304 cast stainless steel for longevity



**Blaze Grills offers an impressive
Lifetime Warranty**

BLZ-PROPB (LP/NG) PRODUCT SPECS

MODEL # BLZ-PROPB-(NG/LP)



- Overall Dimensions: 10.25”H x 15.75W x 23.625”D
- Cut Out Dimensions:
9.25”H x 14”W x 19.5”D
- Insulated Jacket Cut Out Dimensions:
10.25”H x 16.5”W x 20.625”D

Specifications:

- Configurations: Built-In
- 60,000 BTUs of cooking power

Installation Accessories:

- Blaze Professional Power Burner Insulated Jacket (BLZ-PROPB-IJ)

Safety Precautions:

- Your application will have additional requirements, consult owner’s manual for full instructions.
- Ensure your island cavity is adequately vented. Number of vents shown in diagram is for informational purposes only. Consult your local licensed professional for adequate requirements.
- Ensure your outdoor kitchen is constructed out of non-combustible materials.
- If your outdoor kitchen is constructed out of combustible materials, an insulated jacket is REQUIRED.
- Cutout dimensions do not allow for lid clearance or other measurement requirements. Consult the Owner’s Manual for specifics.

Important Note to Installer: This file is not intended to replace your Owners' Manual which contains specific safety requirements and consumer guidelines. Please refer to your Owners' Manual prior to installing or operating your built-in grill.