

Reckless 80 V2.0

Assembly instructions

Included hardware



M6 Bolt

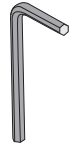


Washer

X 10



T-nut



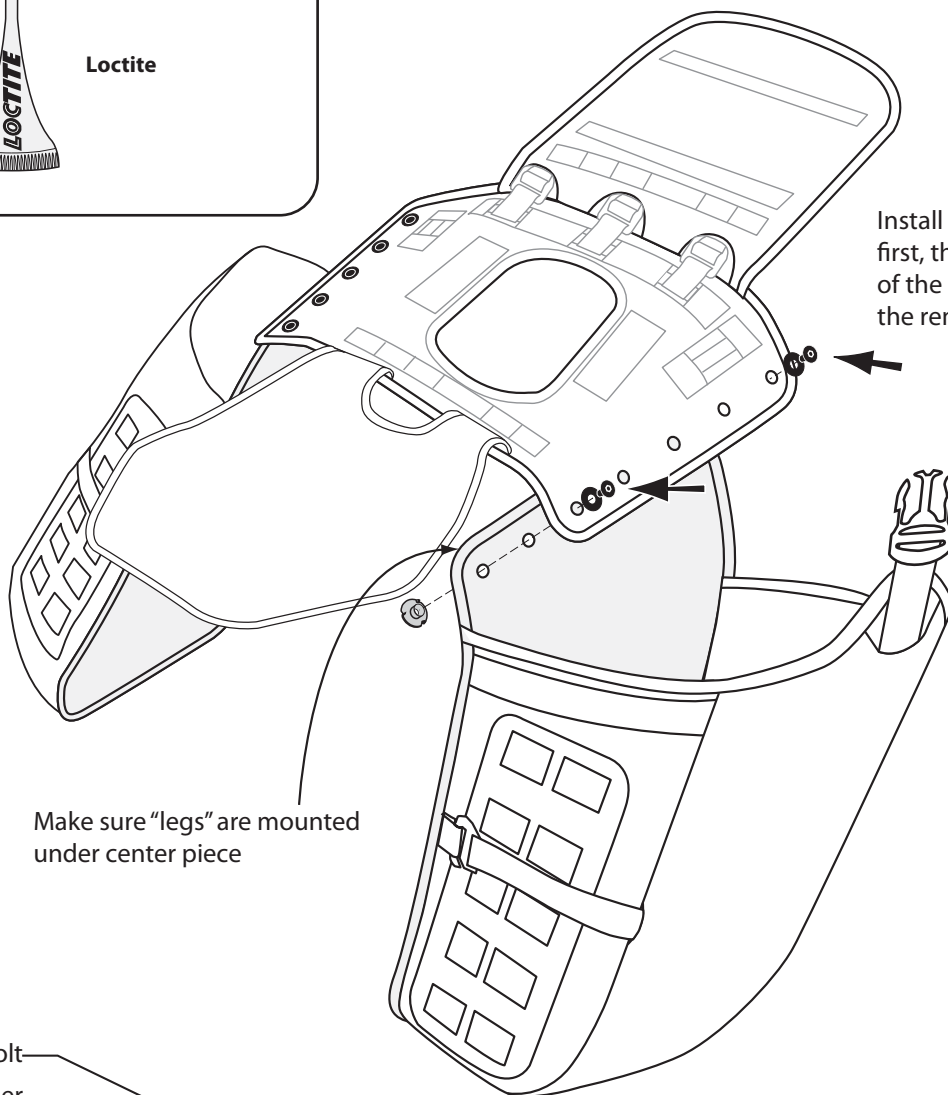
Allen Key



Loctite



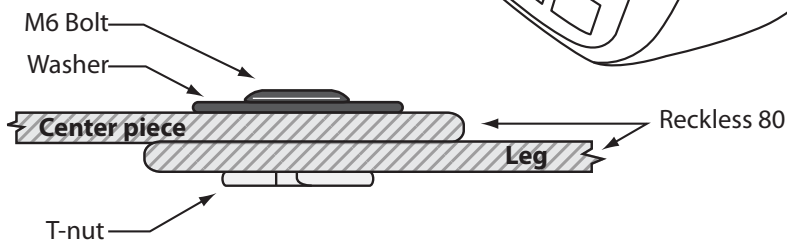
Apply small drop of Loctite to M6 Bolt



Install these two outside bolts loosely first, then check the alignment of the other holes before installing the remaining bolts and tightening all.

Check bolt tightness periodically after use.

Make sure "legs" are mounted under center piece



For further installation help visit Moskomoto.com

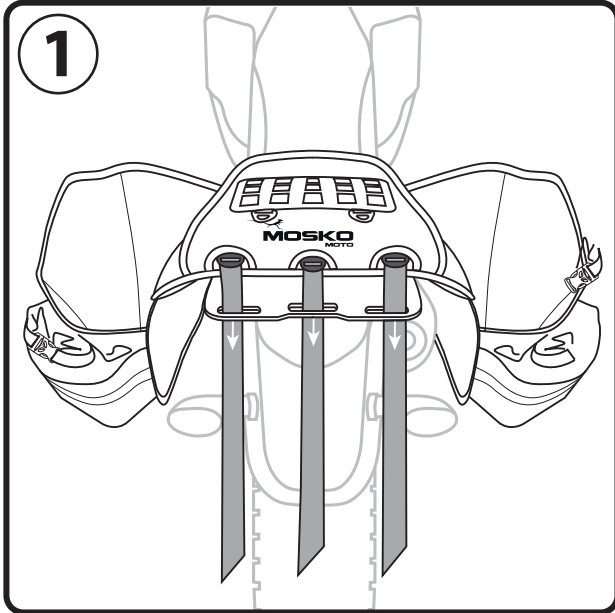




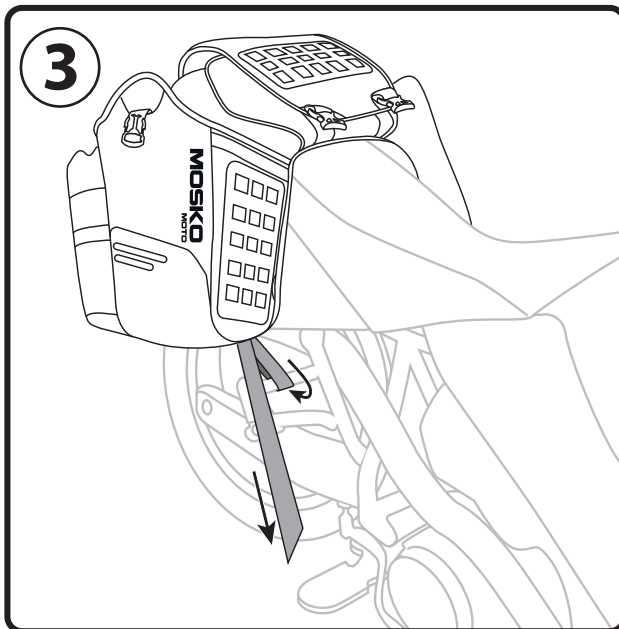
Reckless 80

Installation instructions

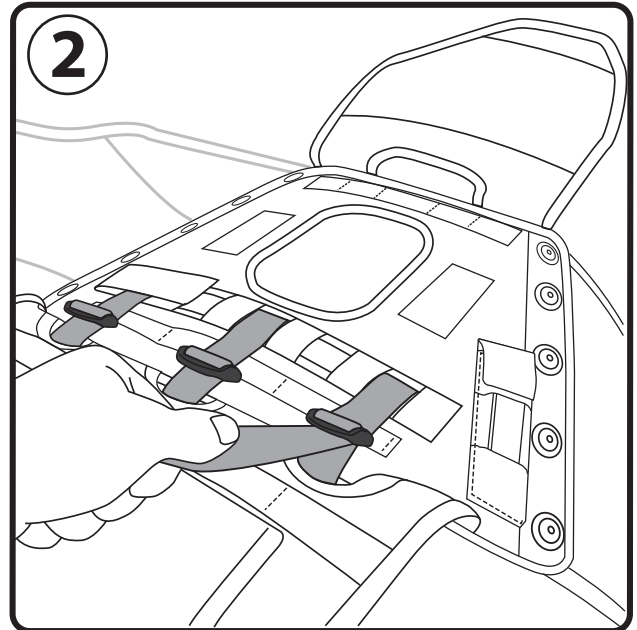
Run the rear mounting straps through rack slots or other available subframe tubing...



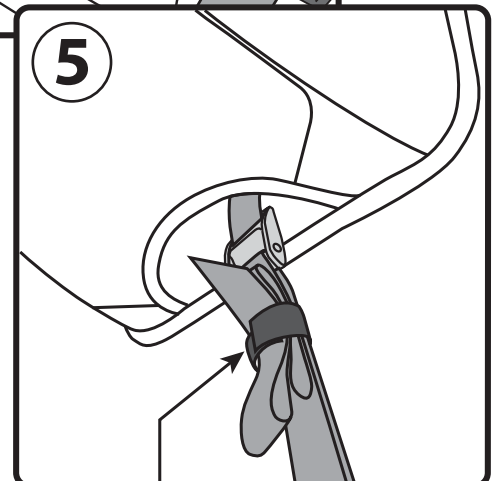
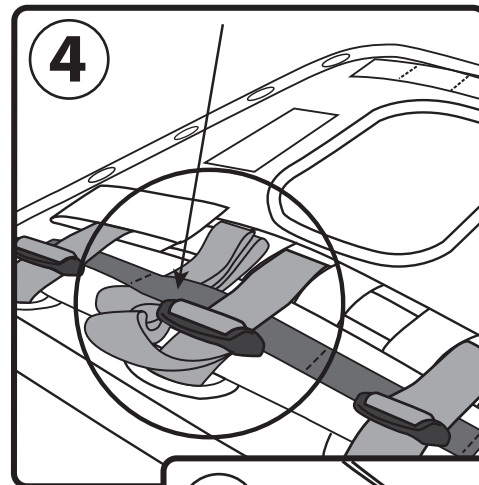
Now run leg straps through passenger peg mounts or other available frame work. Begin to tighten and adjust all mounting straps equally until desired position and tightness is achieved.



Return straps through holes and engage with plastic buckles, but do not tighten yet...



Roll-up loose rear strap tails and stow under elastic loops.

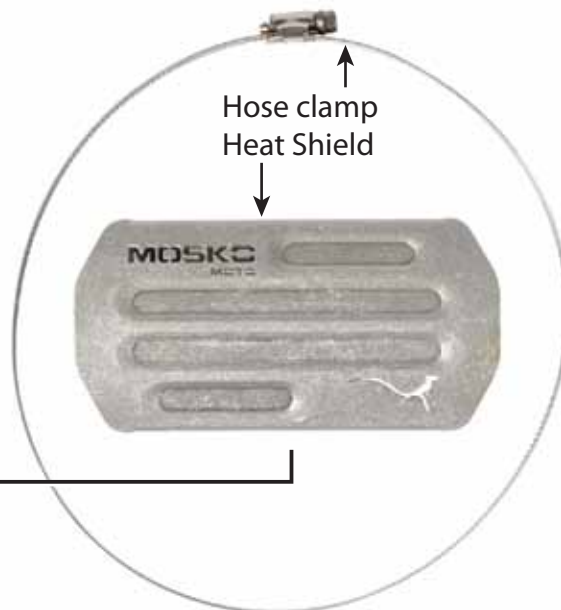
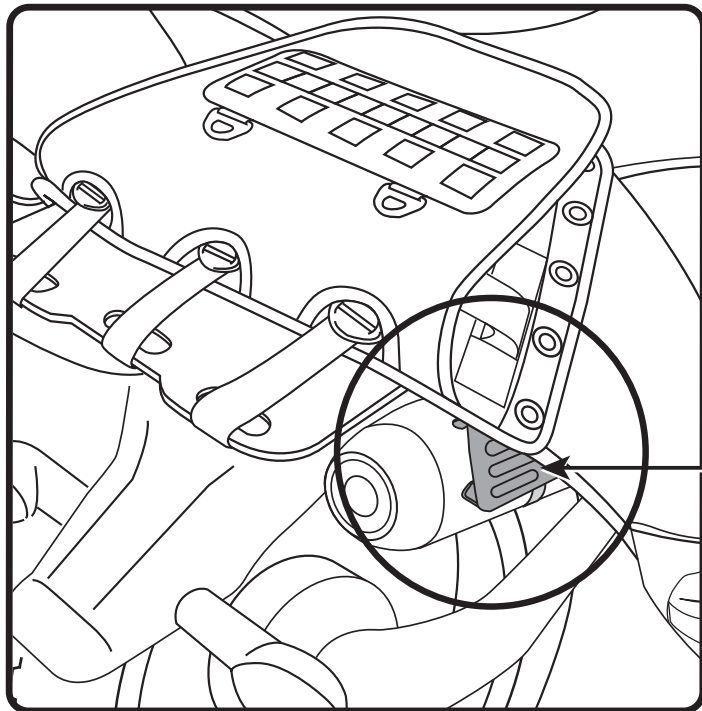


Roll up loose leg strap tails and stow with velcro keeper.

Periodically check for tightness, wear, and loose straps. Failure to do so may result in damage or injury.



Heat Shield Placement



It is your responsibility to place the provided heat shield on your muffler in a location that protects the bag and your motorcycle's plastics from melting.

It is important to check after each use that your heat shield is located properly. Failure to do so may result in severe product/bike damage that is not covered under warranty.

Dual exhaust or extremely long, and exposed exhaust may require a second heat shield.