



Step #1

Place T-nut on backside of center hole in main harness.

(This is easiest on a flat surface!)

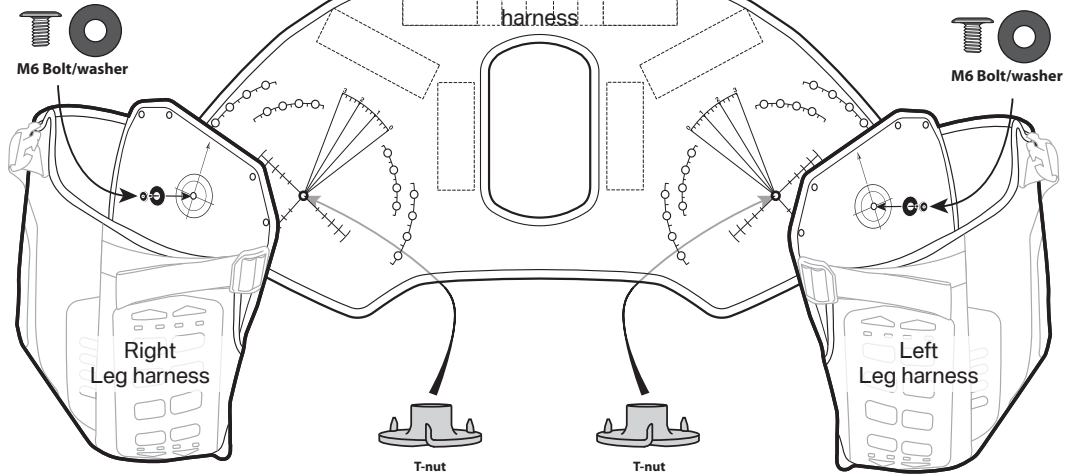
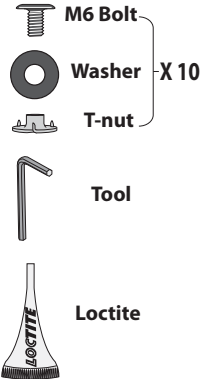
Place bolt and washer in front side of leg harness center hole.

Hand tighten for now, keep loose.

Reckless 80 Revolver

Assembly instructions

Included hardware

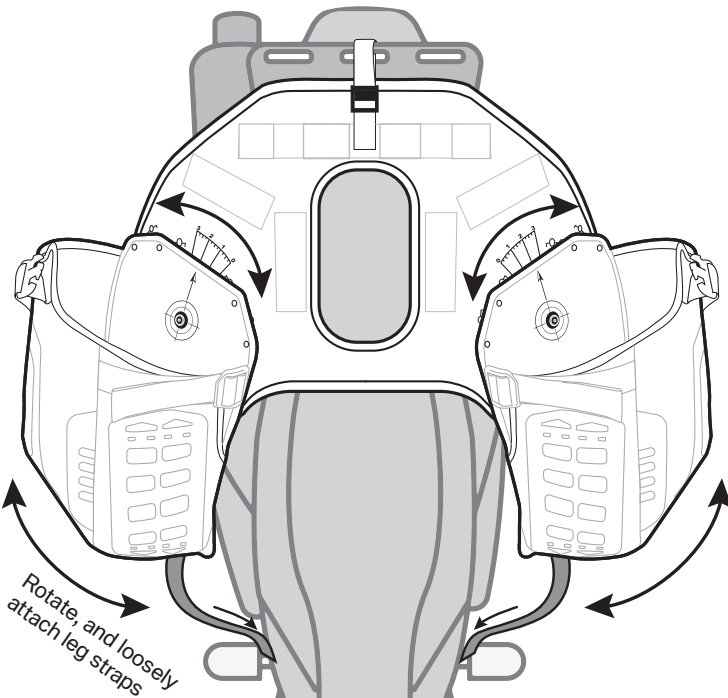


Step #2

Place on motorcycle in desired location.

Revolve legs until they are at desired angle.

Note what lean angle the lean selector arrow is closest to.



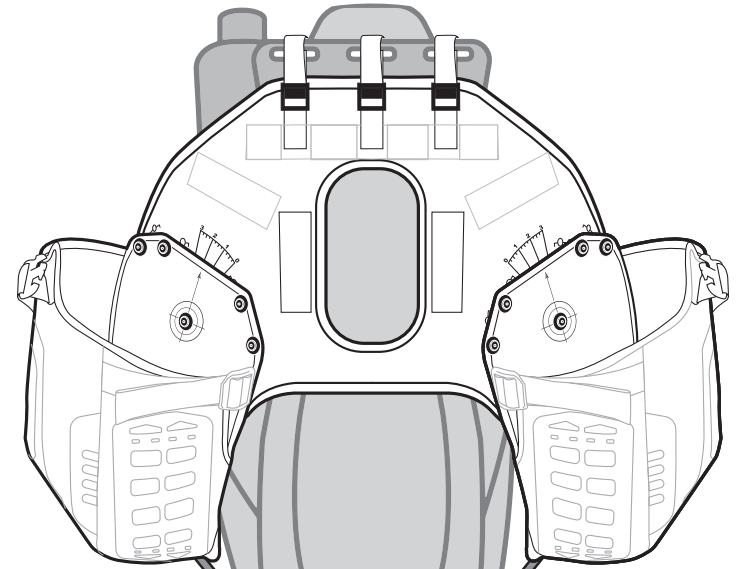
Step #3

Install remaining hardware in leg harness bolt holes and corresponding main harness holes. (This is easiest on a flat surface)

Hand tighten only, until all hardware has been installed.

Finally tighten hardware using provided key.

Before riding, tighten all straps/bolts and check periodically.



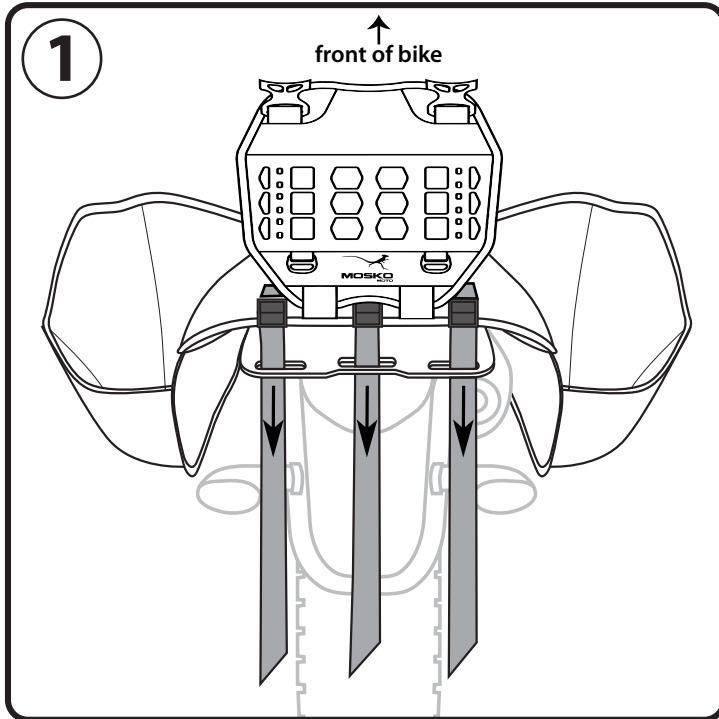
Apply a small drop of included Loctite to the bolts



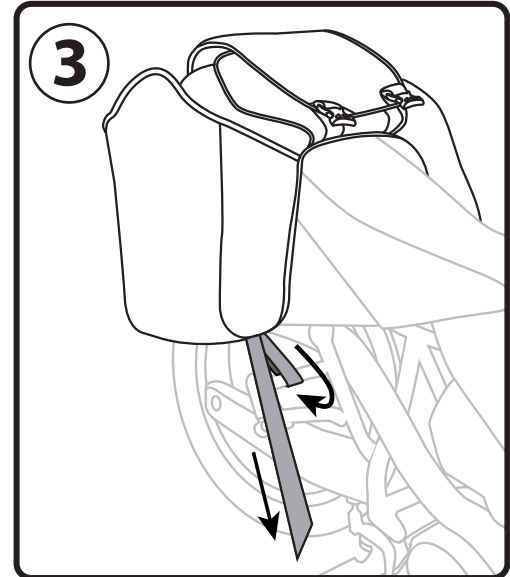
Reckless 80 Revolver

Installation instructions

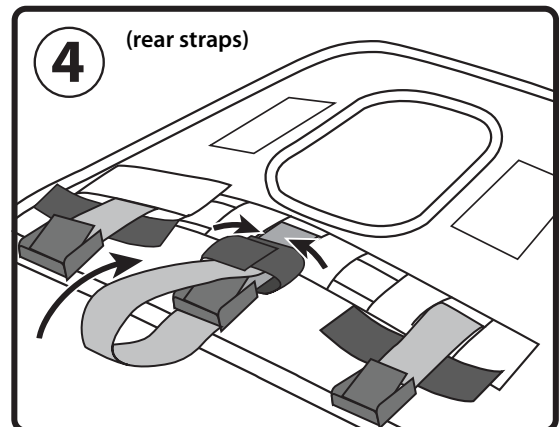
Pass the rear mounting straps through top tray slots or other available sub-frame tubing at the back of bike



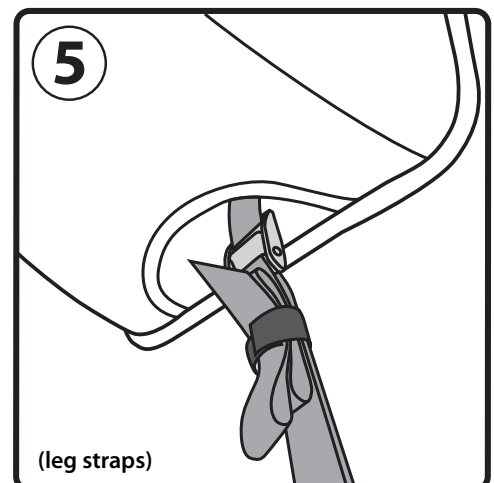
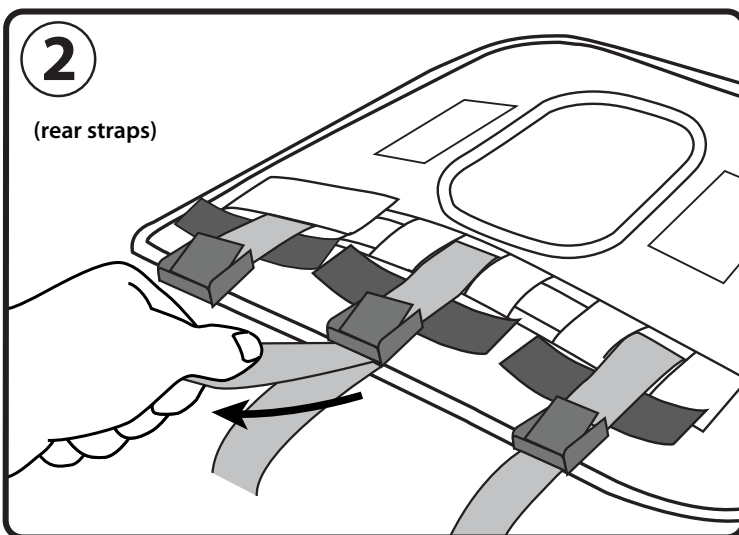
...now pass the leg straps through passenger peg braces or other available frame location. Begin to tighten and adjust all mounting straps equally until desired position and tightness is achieved.



...return straps through holes and engage with cam buckles, do not tighten yet



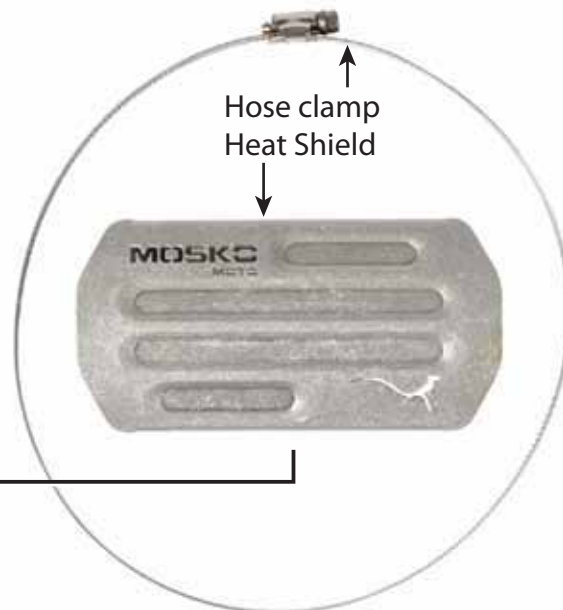
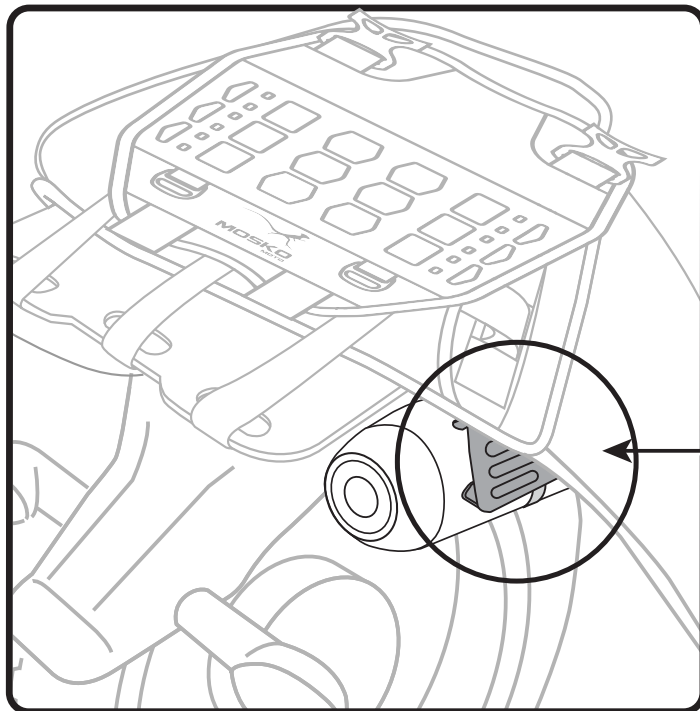
Finally, stow all mounting strap tails using velcro loops



Regularly check for tightness, wear, and loose straps. Failure to do so may result in damage or injury.



Heat Shield Placement



It is your responsibility to place the provided heat shield on your muffler in a location that protects the bag and your motorcycle's plastics from melting.

It is important to check after each use that your heat shield is located properly. Failure to do so may result in severe product/bike damage that is not covered under warranty.

Dual exhausts, extra exposed or extremely hot running exhausts, may require a second heat shield.