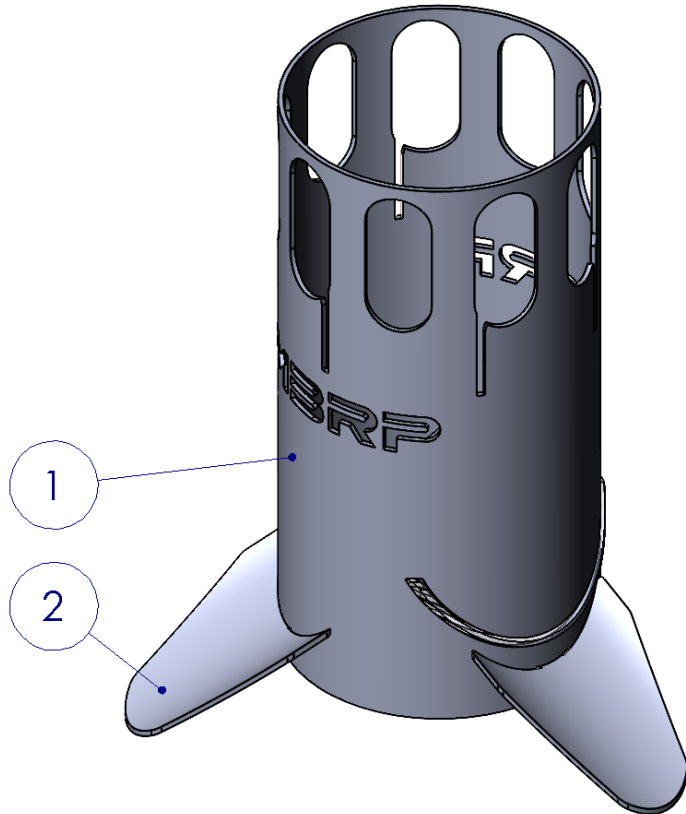
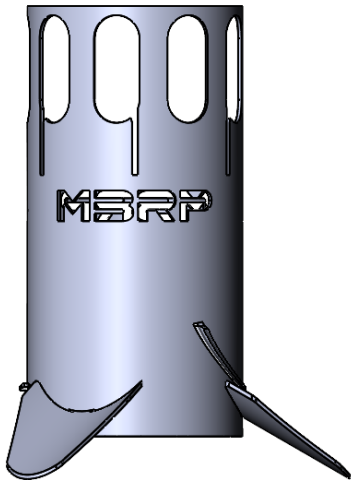
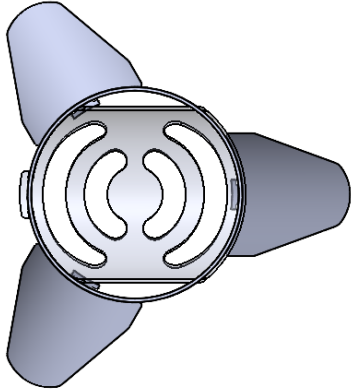


A115192
3.5" ROCKET STOVE KIT

MBRP[®]



ITEM	DESCRIPTION	QTY
1	CHIMNEY	1
2	FOOT	3

Refer to this LOT NUMBER when contacting customer service: _____

PLEASE READ BEFORE STARTING INSTALLATION

While MBRP has made every effort to ensure that all components of this kit are of superior quality and properly packaged, it is the installer's responsibility to ensure the following:

- that ALL components shown above are present.
- that ALL mating components fit together.
- that there are no damaged components.
- that you have read and understand these instructions.



Figure 1



Figure 2



Figure 3



Figure 4

Rocket Stove Assembly

1. Align each **Foot** with the **Chimney** as shown in Figure 1. Insert T shaped tab into slot and slide downward as shown in Figure 2. Repeat for all 3 feet. Refer to Figures 1 and 2.

Rocket Stove Storage

2. Remove each **Foot** in the reverse order of the process described above.

3. From the top down, slide the edges of each **Foot** into the slots on the **Chimney**. Refer to Figures 3 and 4.

