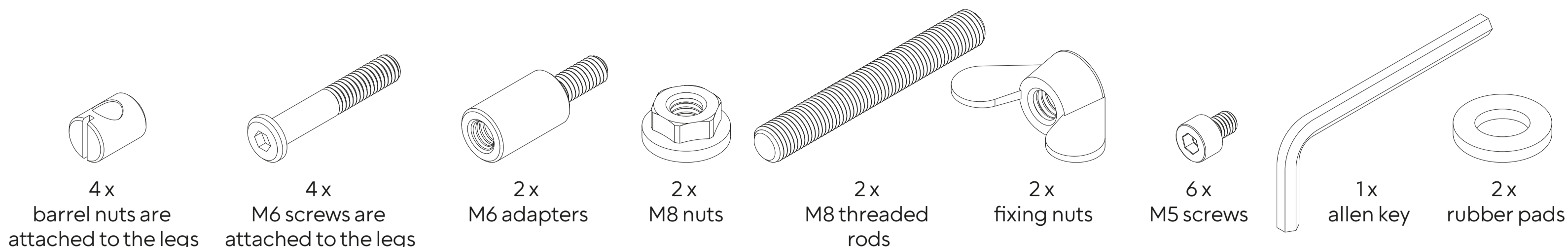


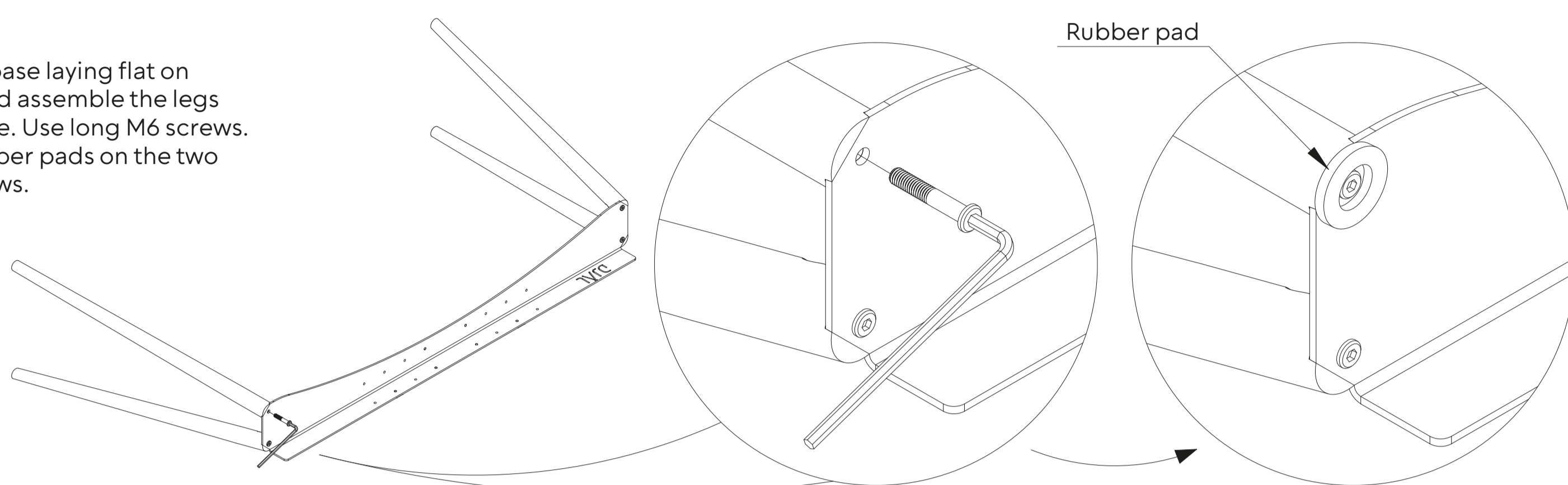
JÄLG

MINIMALIST TV STAND



Step 1

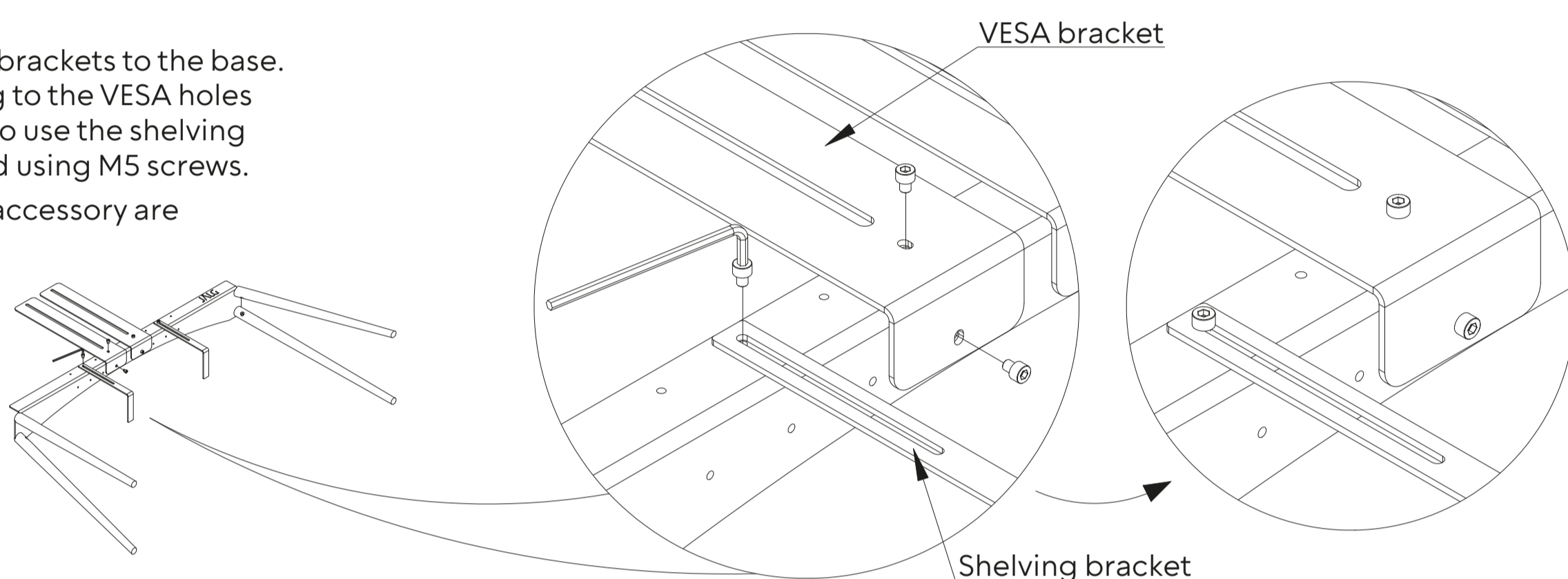
With the base laying flat on the ground assemble the legs to the base. Use long M6 screws. Insert rubber pads on the two front screws.



Step 2

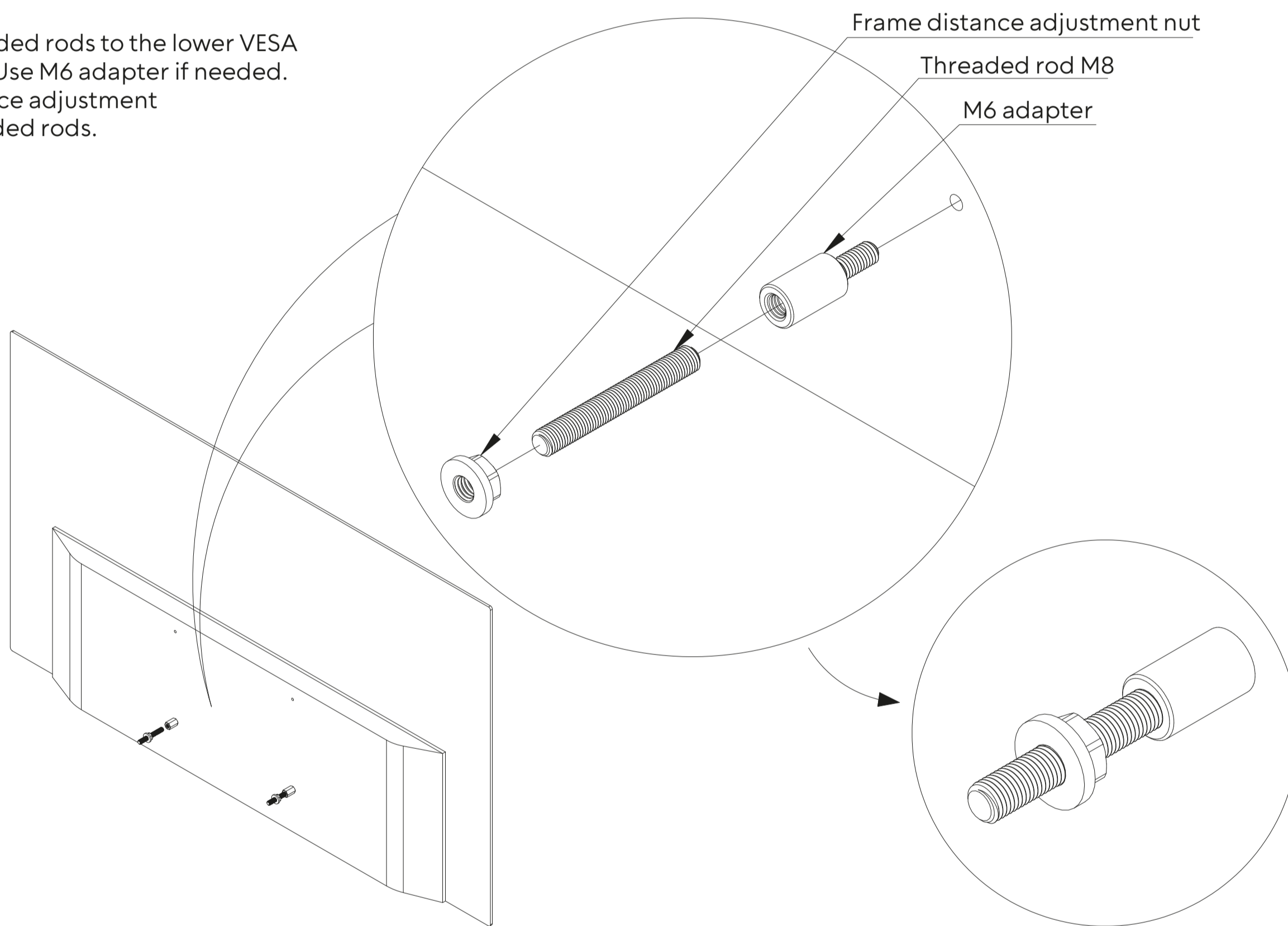
Using M5 screws attach the VESA brackets to the base. Choose the fixing holes according to the VESA holes alignment on your TV. If you wish to use the shelving brackets, attach them to the stand using M5 screws.

*Soundbar brackets or any other accessory are not included by default



Step 3

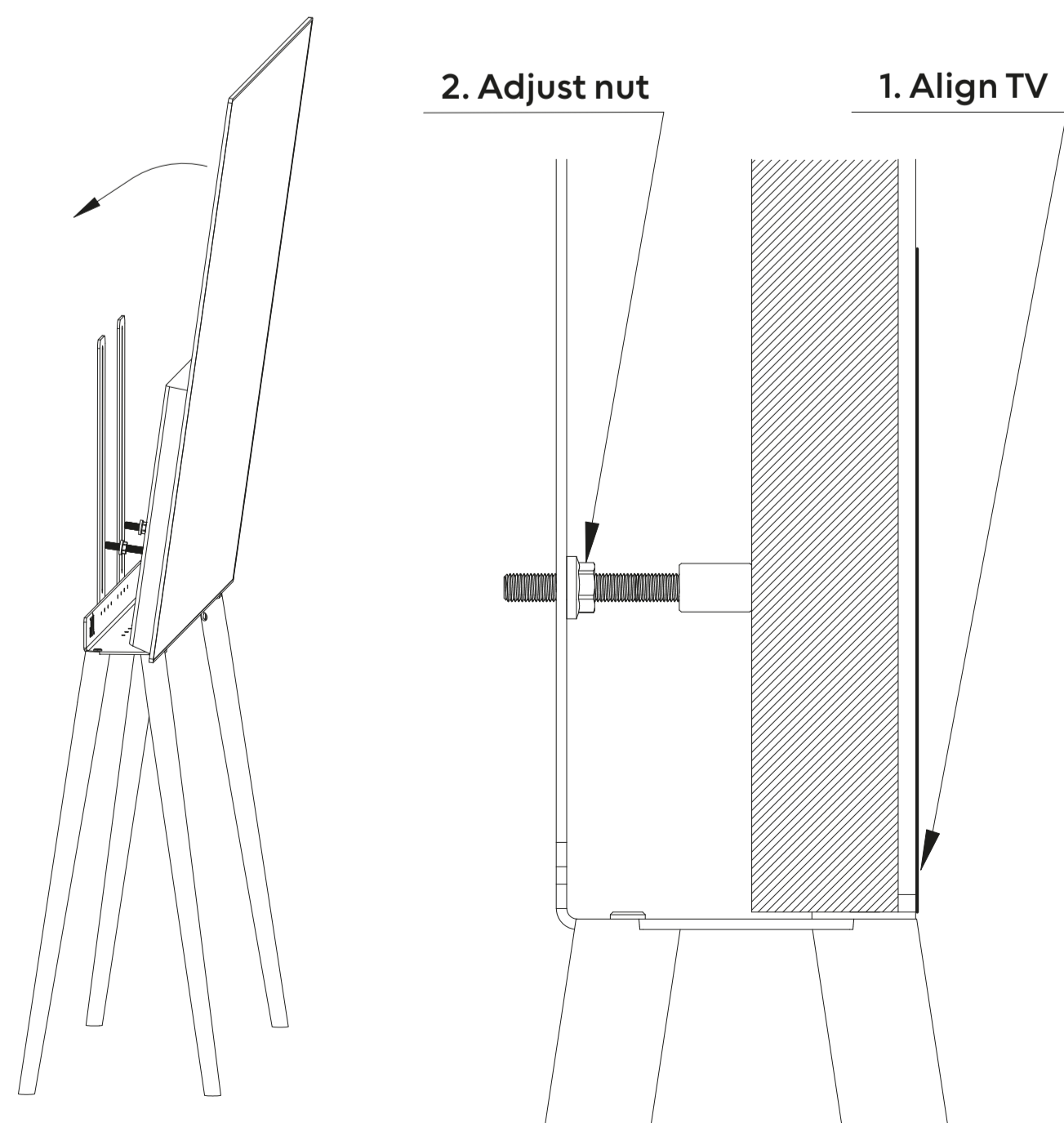
Attach the threaded rods to the lower VESA holes on the TV. Use M6 adapter if needed. Screw the distance adjustment nut on the threaded rods.



Step 4

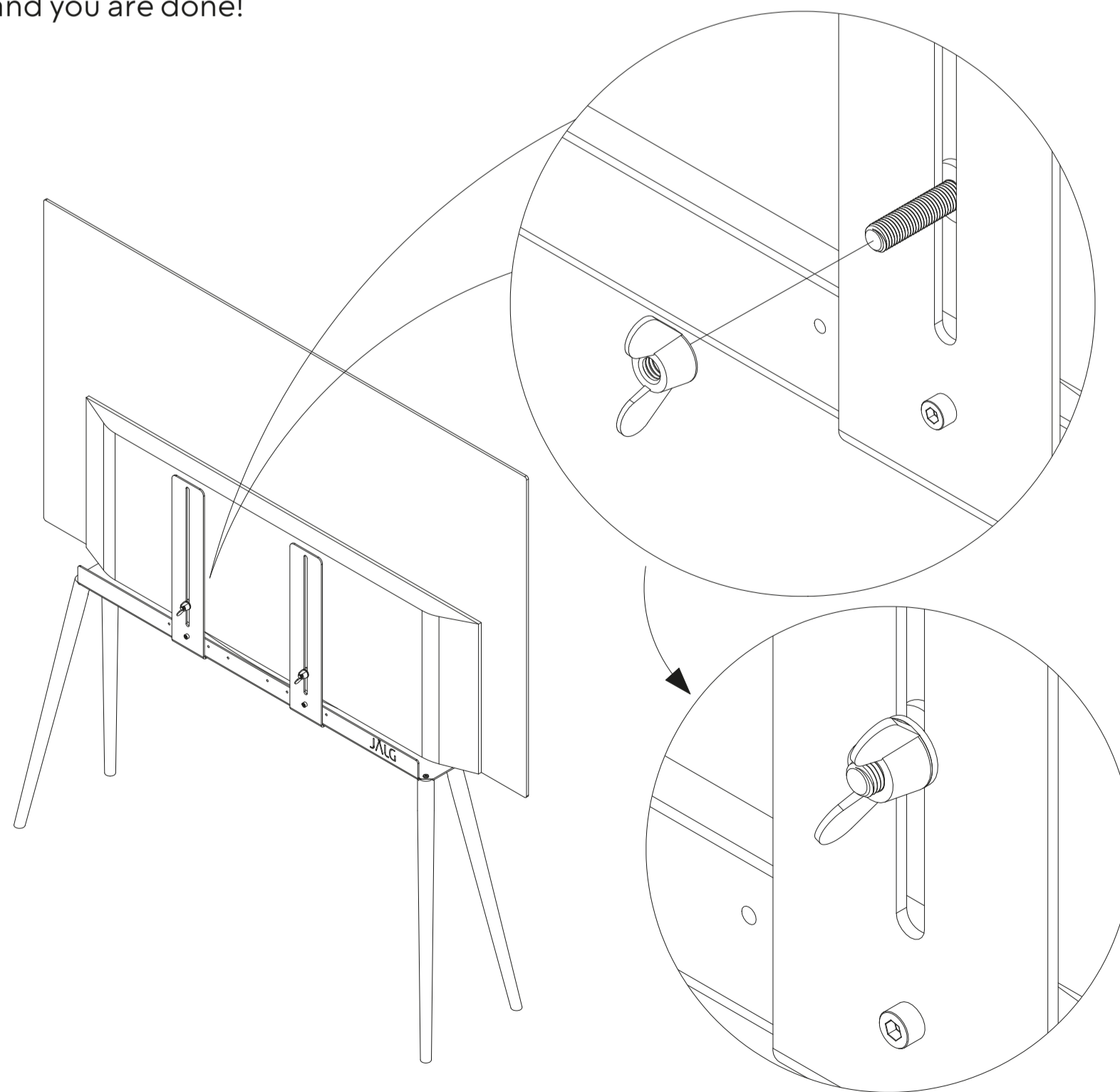
Place the TV on the stand vertically, with the threaded rods going through the vertical grooves.

IMPORTANT: Align the front of the TV with the front of the stand. Adjust the distance adjustment nuts accordingly.



Step 5

Attach the fixing nut to the threaded rod, and you are done!



Read this manual carefully before assembling and using the product. This product is exclusively intended for use in private domains in accordance with this manual and may not be used for commercial purposes. Any other form of use constitutes improper use and can result in material damage and even personal injury. The manufacturer does not accept any liability for damage caused due to improper use. Do not use the product if it appears to be damaged in any way. Do not leave children unattended near the product. The product is intended for indoor use only. Do not use it in humid rooms or near water. Avoid using locations where shock and vibrations could occur. The product may only be burdened up to the specified maximum weight (REG - 25KG, XL - 45KG). The package contains small parts. Keep away from the reach of small children. The product should be placed in an area where there is no possibility for the product to be tipped over.

All goods must be returned safely and in their original packaging. For EU only: A return label is valid for 14 days. Deliver goods to your closest pickup location <https://locator.dhl.com/>