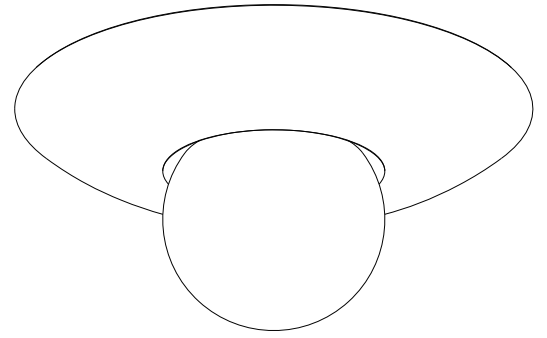


houseof *lighting*

flush dome ceiling light



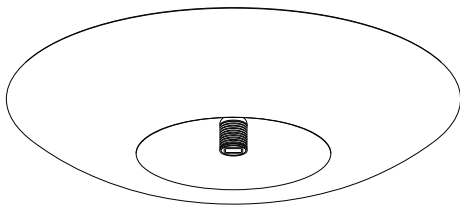
Make sure you get a qualified electrician to fit this new light. Shut off the power supply before installing this light.

Any questions?

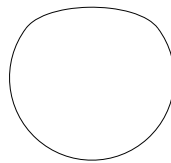
help@houseof.com

0330 311 9530

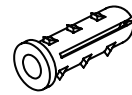
what's in the box



ceiling fitting x1



glass shade x1

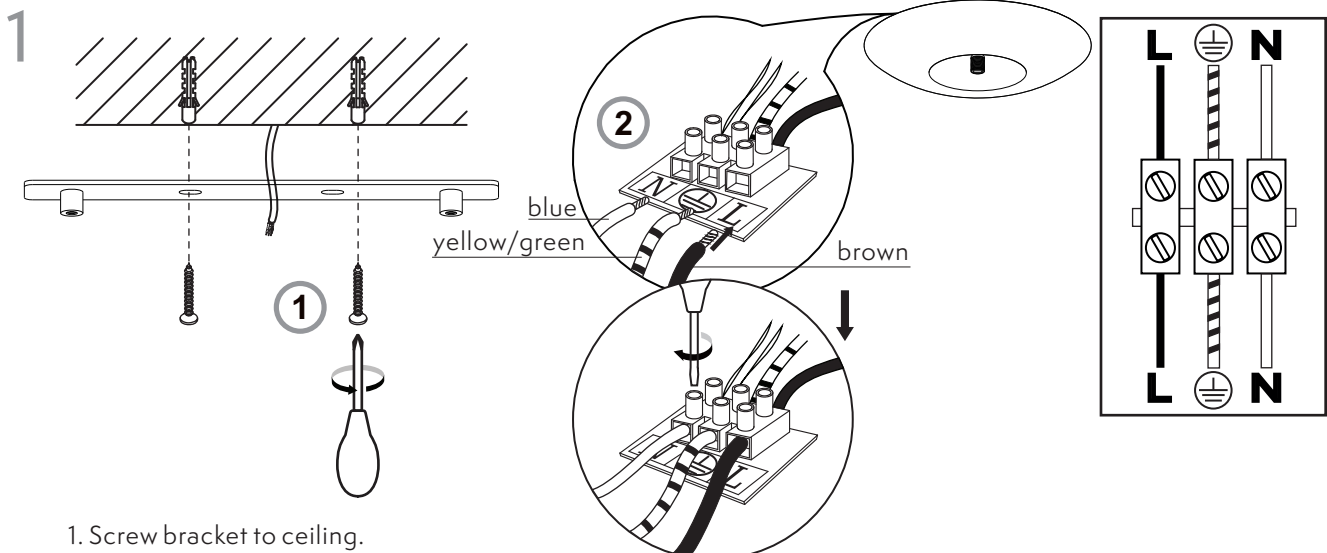


ceiling plug x2



screw x 2

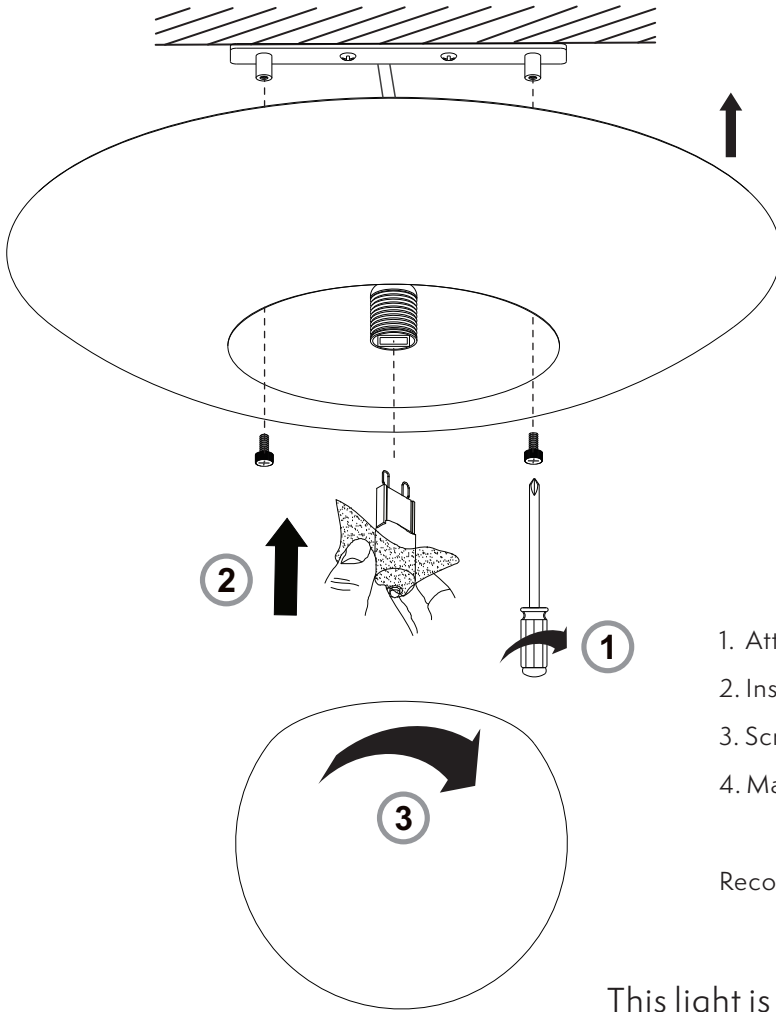
assembly instructions



1. Screw bracket to ceiling.

2. Connect the lighting terminal block to the main supply.

2



1. Attach light to bracket.
2. Insert the bulb.
3. Screw the shade onto ceiling light, careful not to overtighten.
4. Make sure the threads are aligned and not cross threaded.

Recommended bulb: G9 3W LED bulb or Max 28W halogen bulb.

This light is IP44 rated and can be used for the bathroom.