

houseof *lighting*

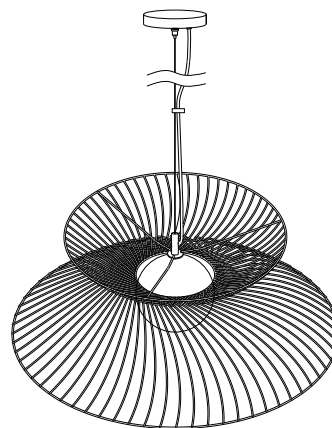
wire ceiling light

Make sure you get a qualified electrician to fit this new light. Shut off the power supply before installing this light.

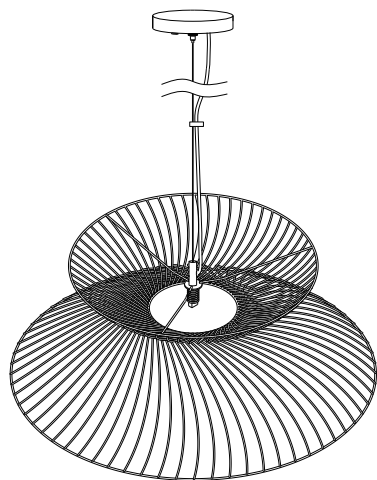
Any questions?

help@houseof.com

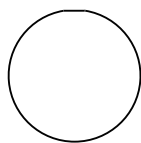
0330 311 9530



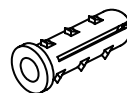
what's in the box



ceiling fitting x1



glass shade x3



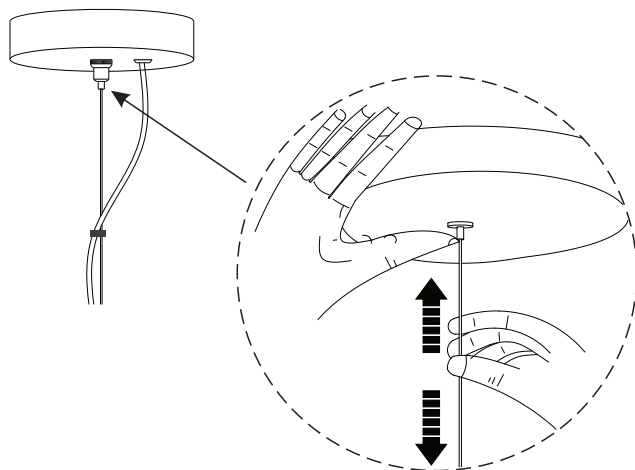
ceiling plug x 2



screw x 2

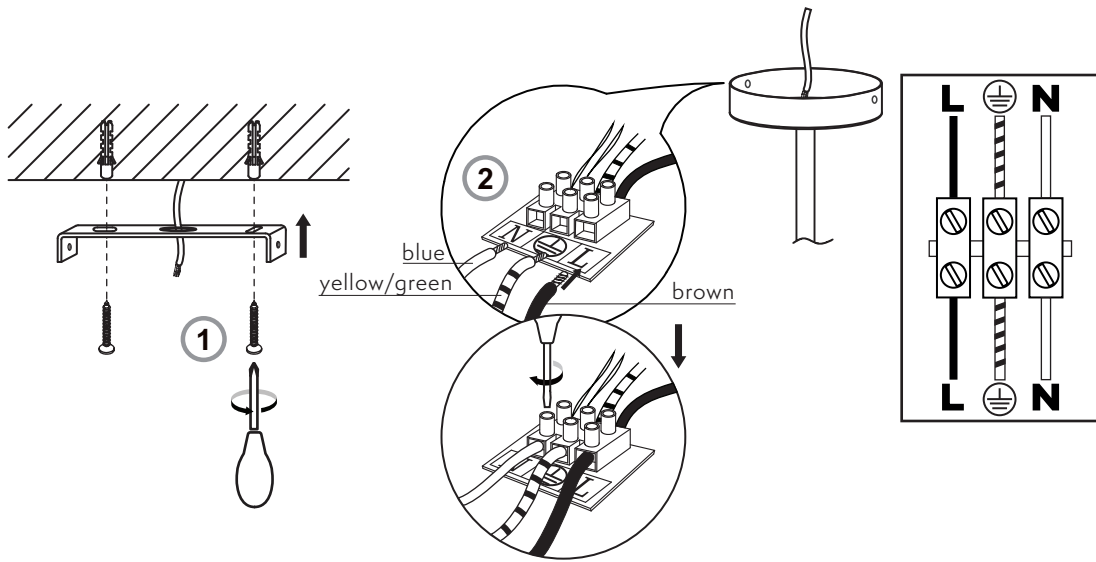
assembly instructions

1



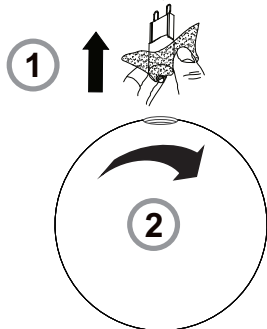
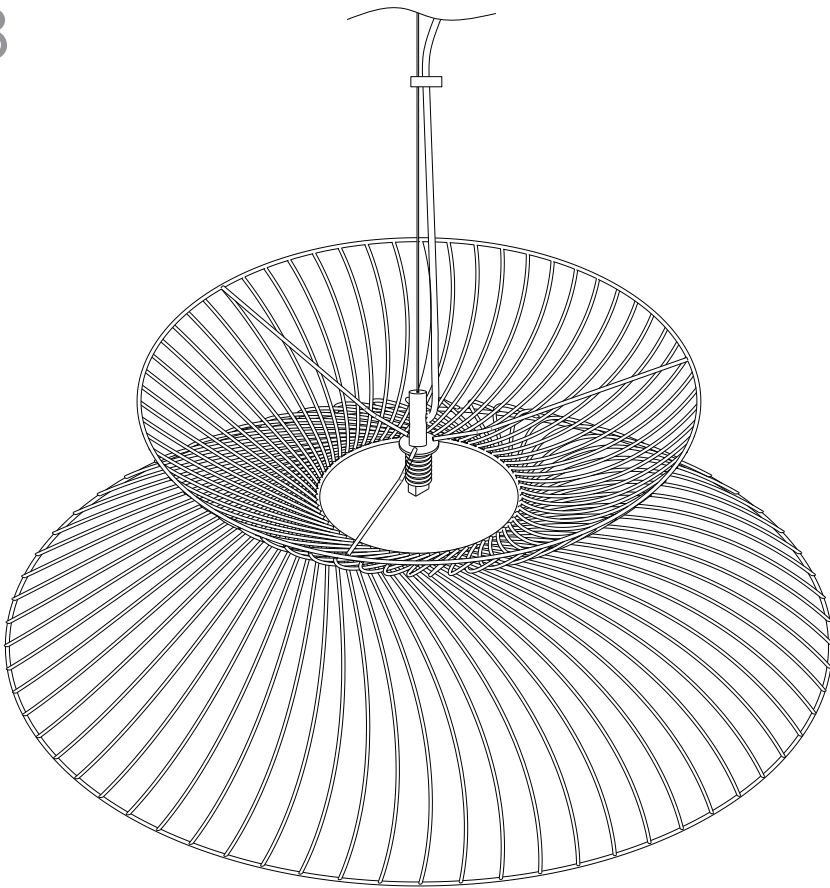
To adjust the wire length, push the metal cord grip up and push the wire through.

2



1. Screw bracket to ceiling.
2. Connect the lighting terminal block to the main supply.

3



1. Insert the bulbs.
2. Screw the shades onto the arm, careful not to overtighten.
3. Make sure the threads are aligned and not cross threaded.

Recommended bulb: G9 3W LED bulb or Max 28W halogen bulb.