

THE WALK IN



Examples of combinations

Please follow the assembly instructions to make sure your RackBuddy experience will serve you the way you deserve.

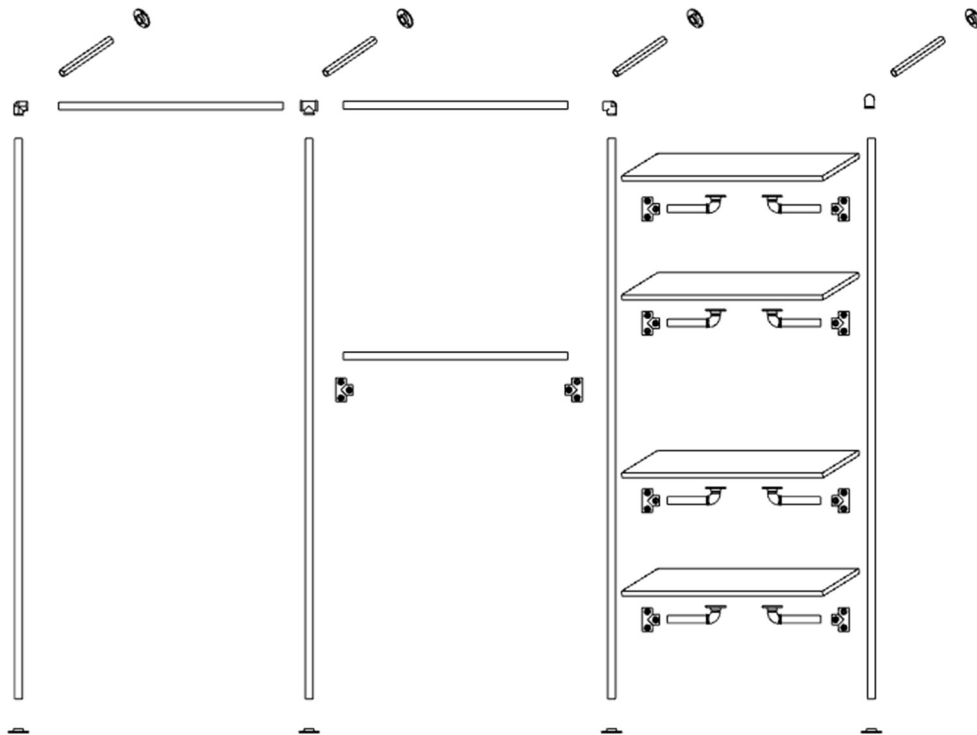
**Rack
Buddy**

INSTRUCTIONS

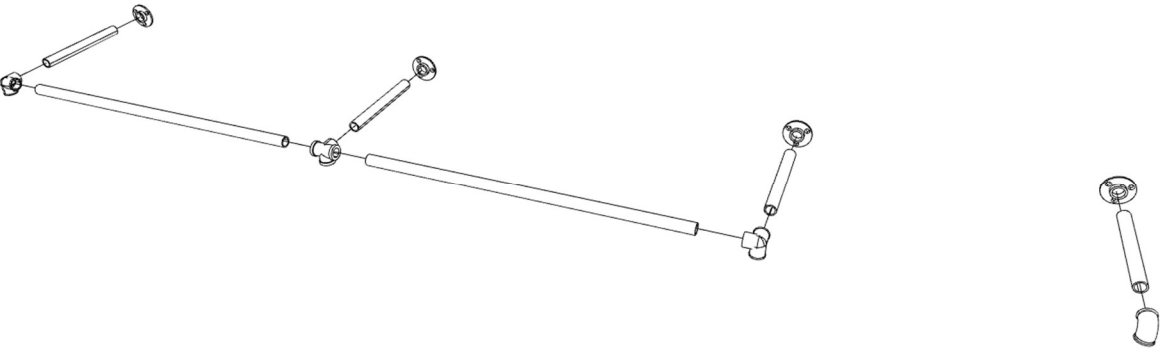
1 Open picture of your walk-in as a reference



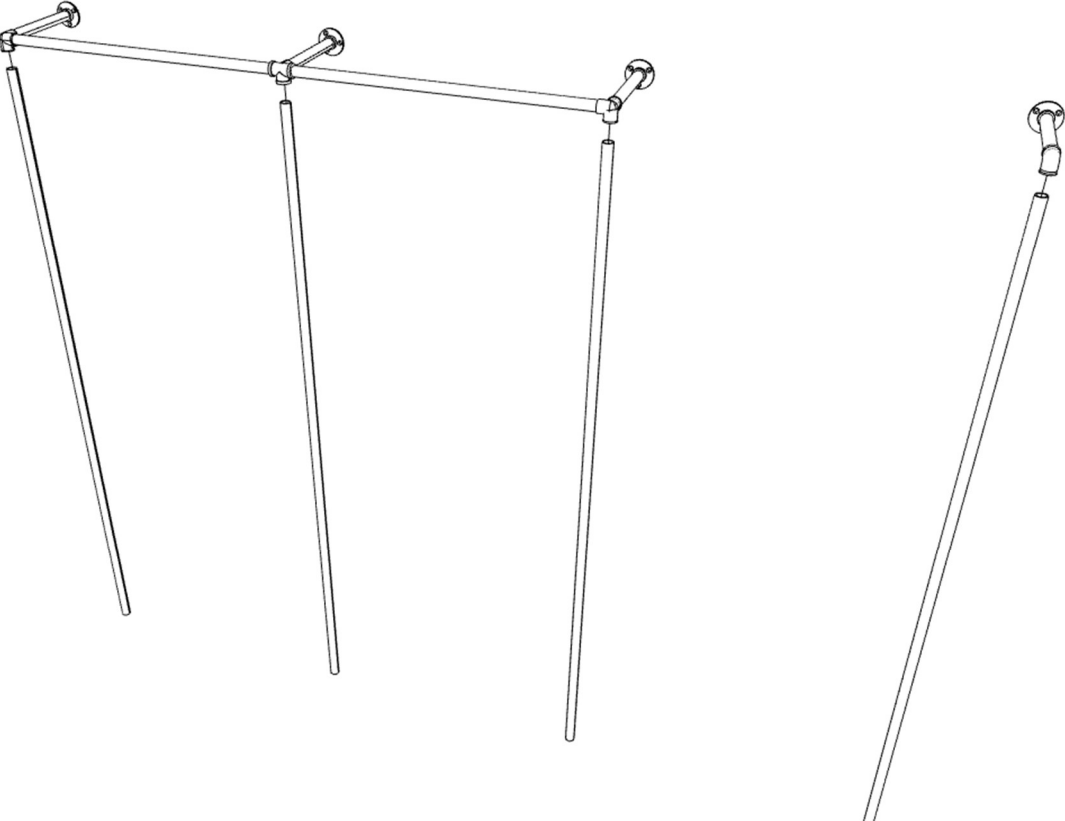
2 Using the reference lay all parts down on the floor



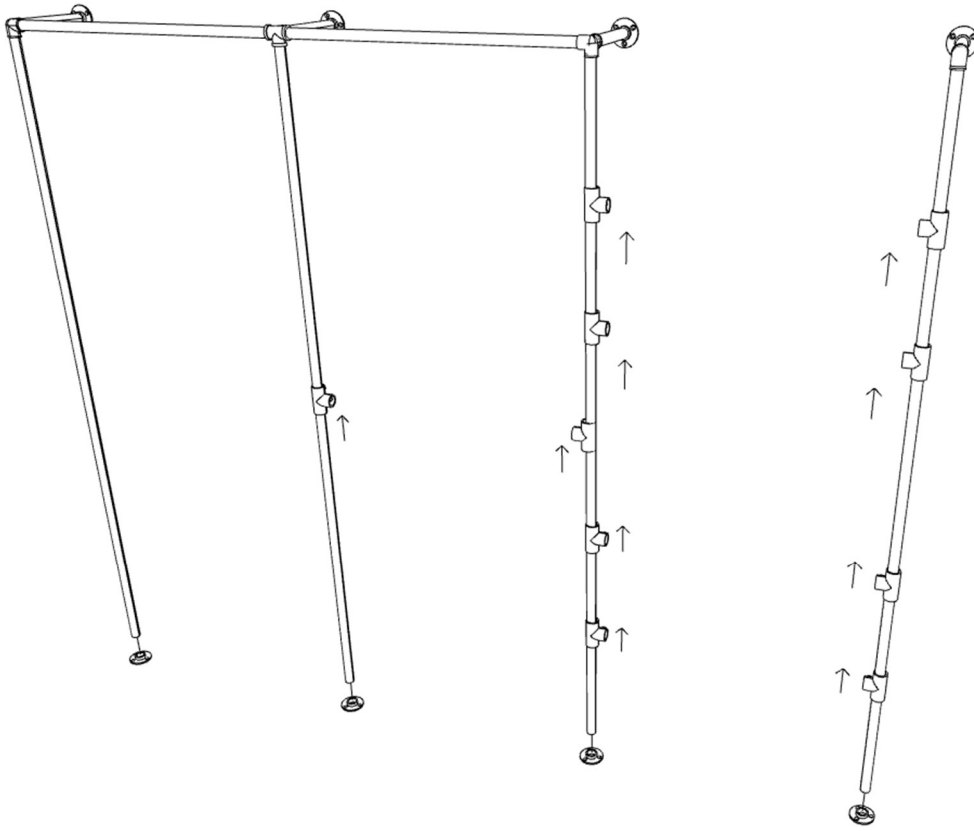
3 Start to assemble top row



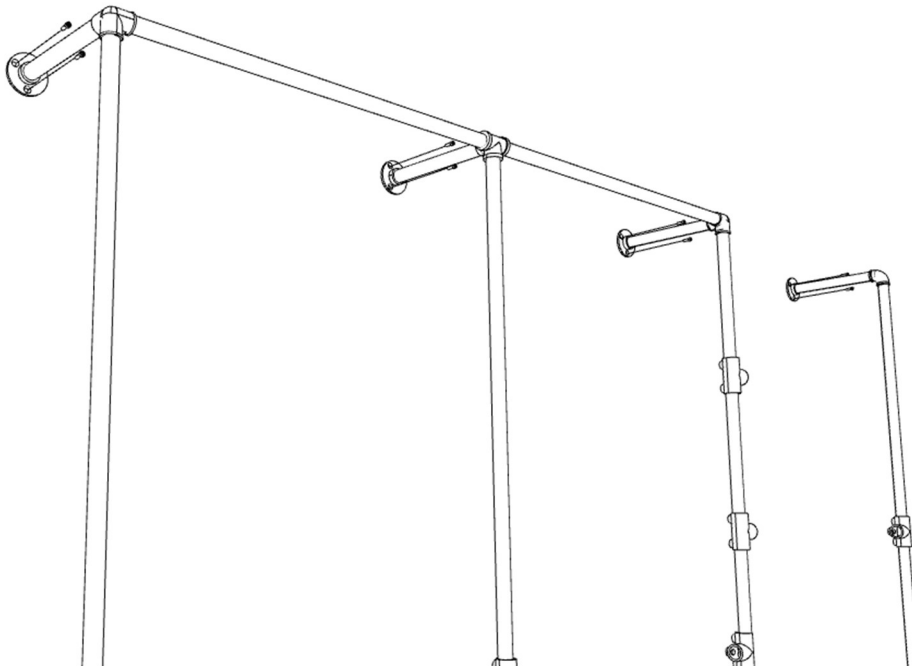
4 Add vertical pipes



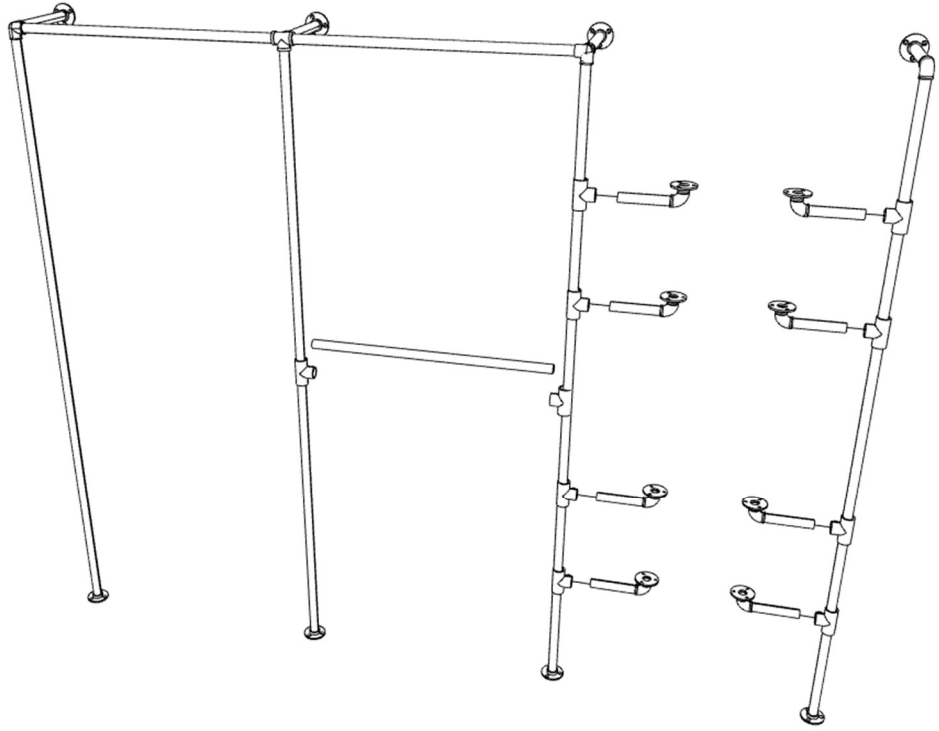
5 Slide on tees and close of with flange



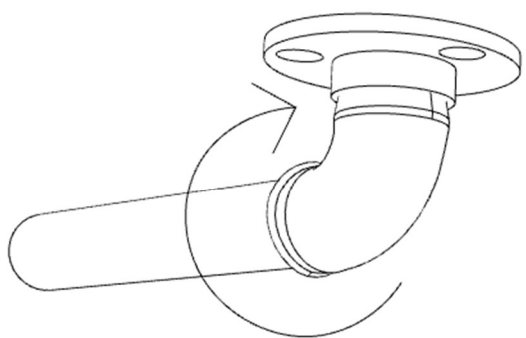
6 Mount into wall



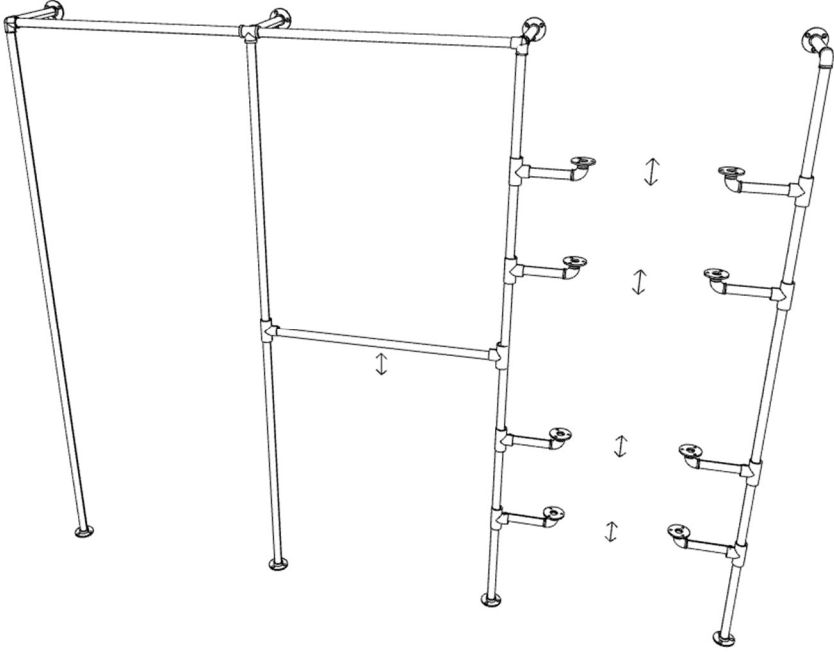
7 Add pipes, shelf supports or supports for dresser/cabinets



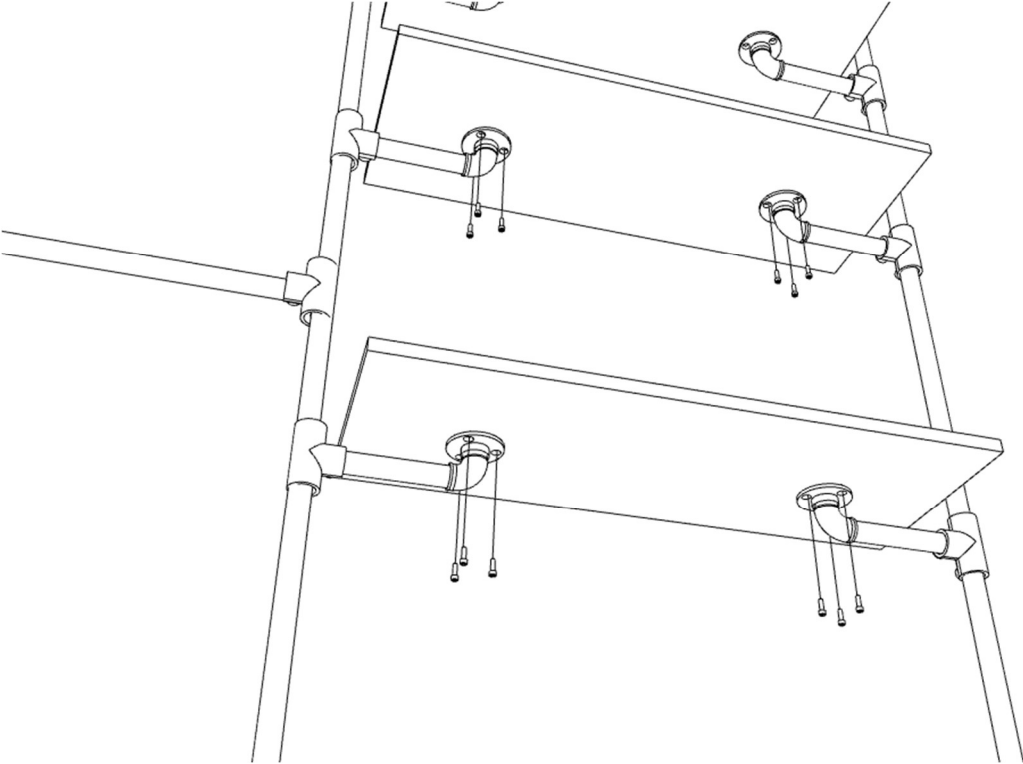
Make sure that corner on shelf support is screwed on tightly



8 Adjust height



9 Mount shelves



10 Add your items and enjoy!

