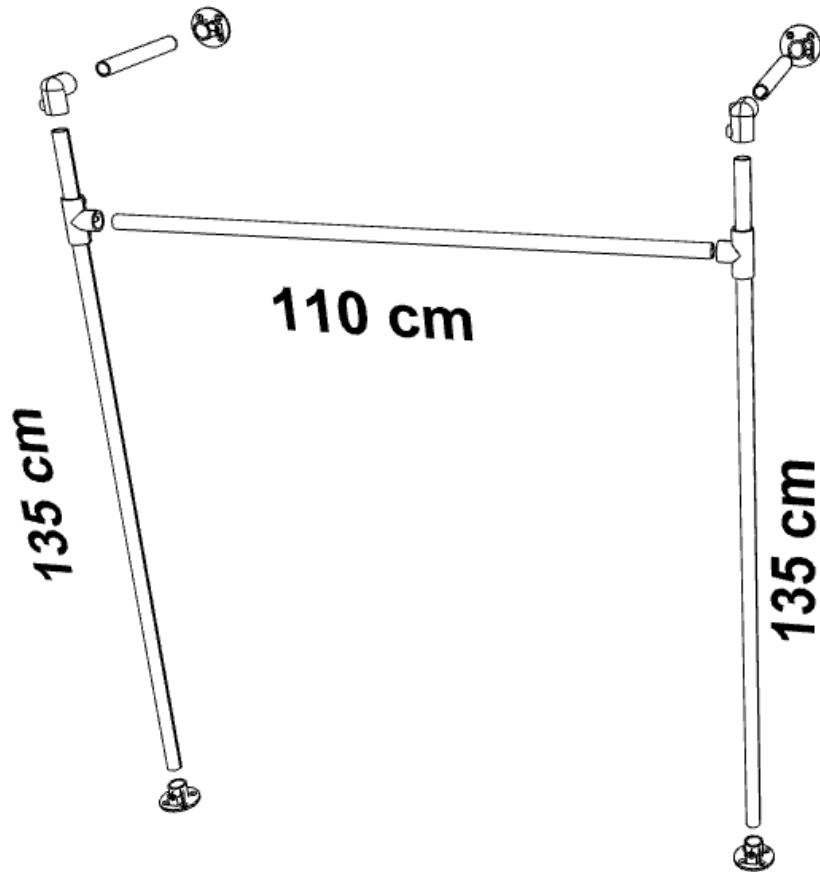


RackBuddy Silver



1. Connect the pipes with the fittings
2. Use a hex key to tighten the rack
- 3: The horizontal pipe is height adjustable