

Frame Walk-In

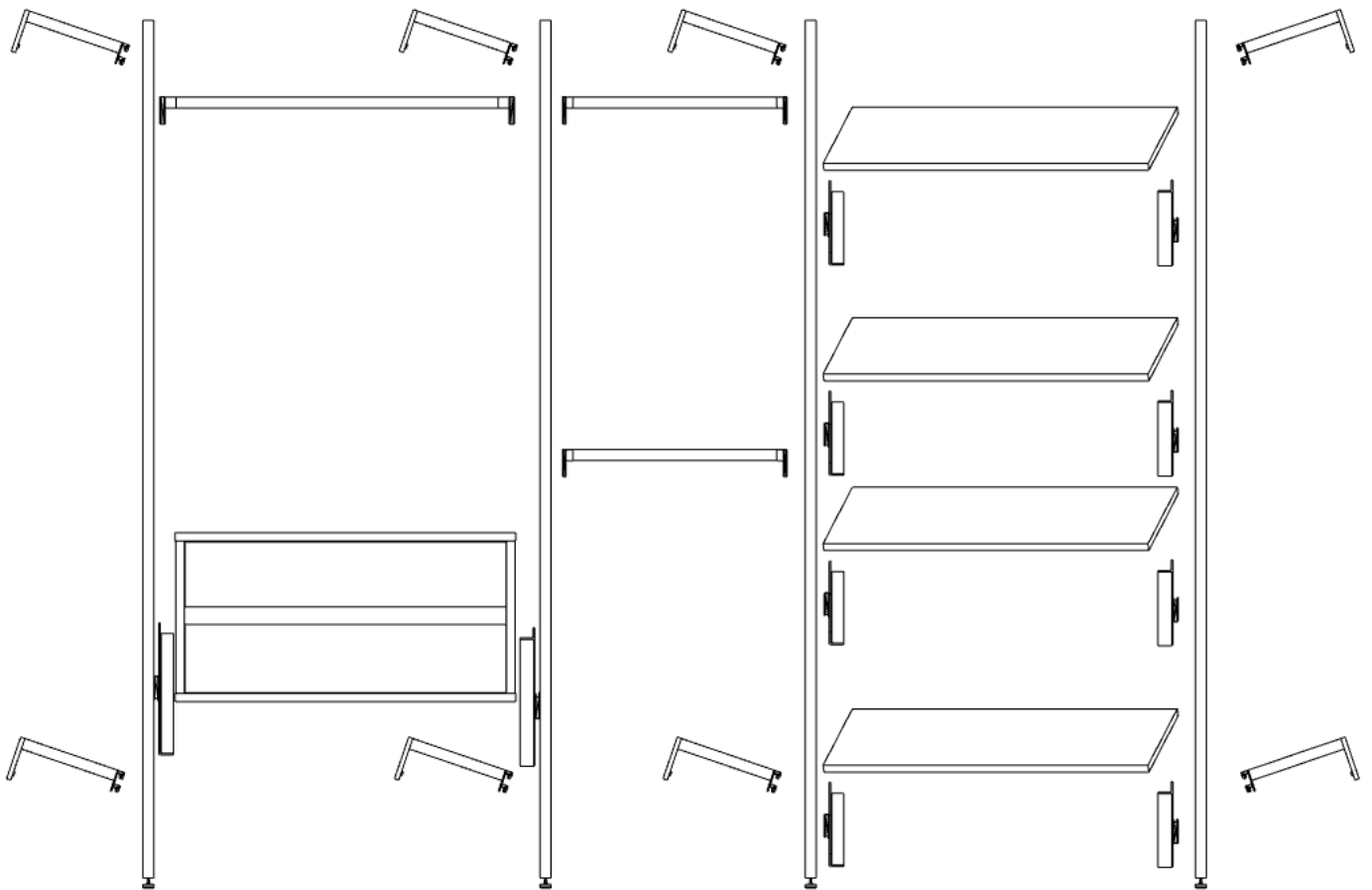


INSTRUCTIONS

1 Open picture of your walk-in as a reference



2 Using the reference lay all parts down on the floor



4 Attach first bracket (top)

Measure from floor:

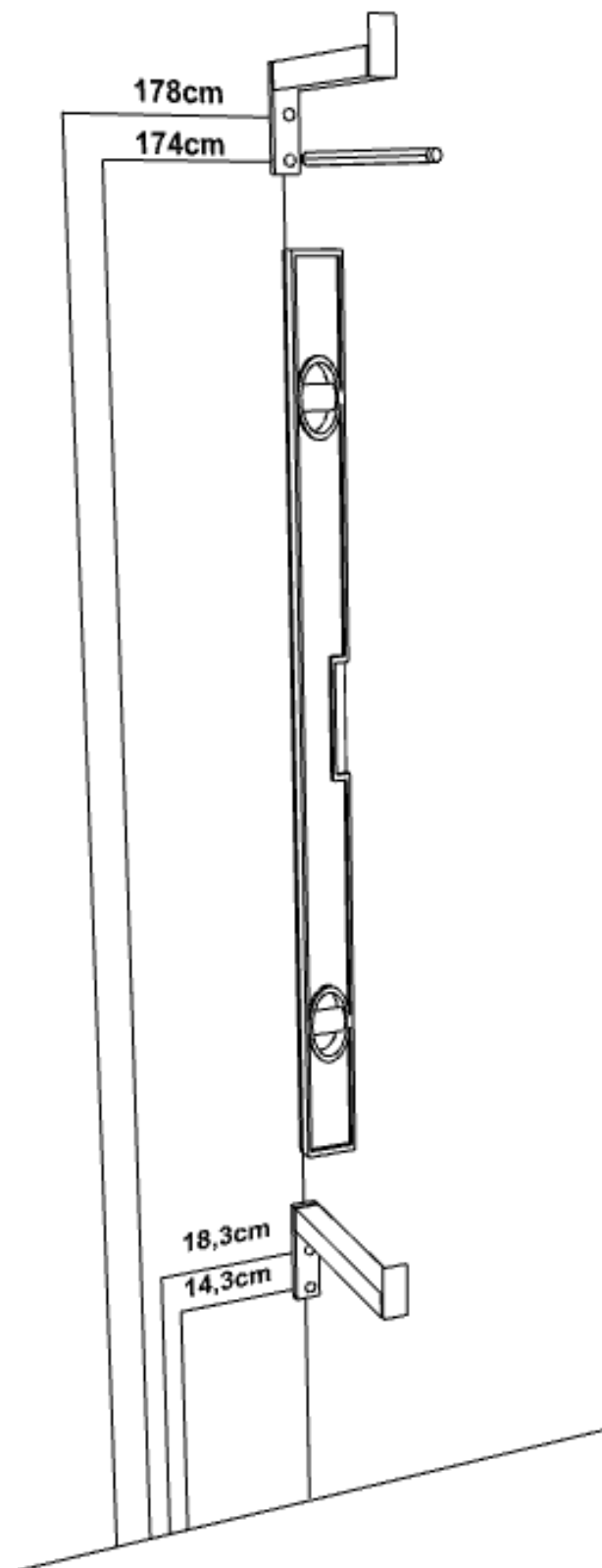
- 174cm for first screw hole
- 178cm for second screw hole

Use spirit level to keep 90 degree angle from floor

5 Attach first bracket (bottom)

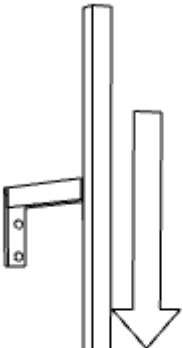
Measure from floor:

- 14,3cm for first screw hole
- 18,3cm for second screw hole

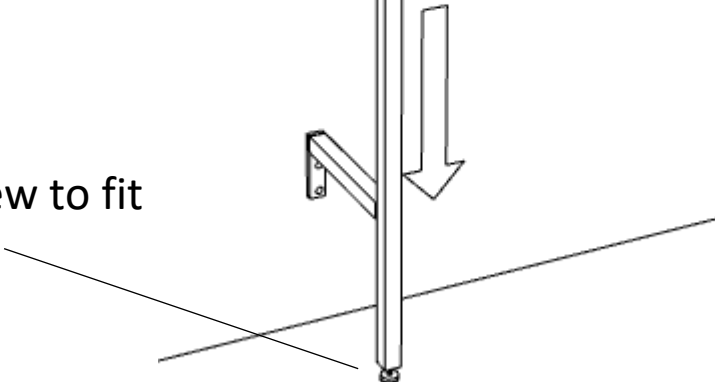


6 Attach vertical pole using wall brackets

Click in and push down

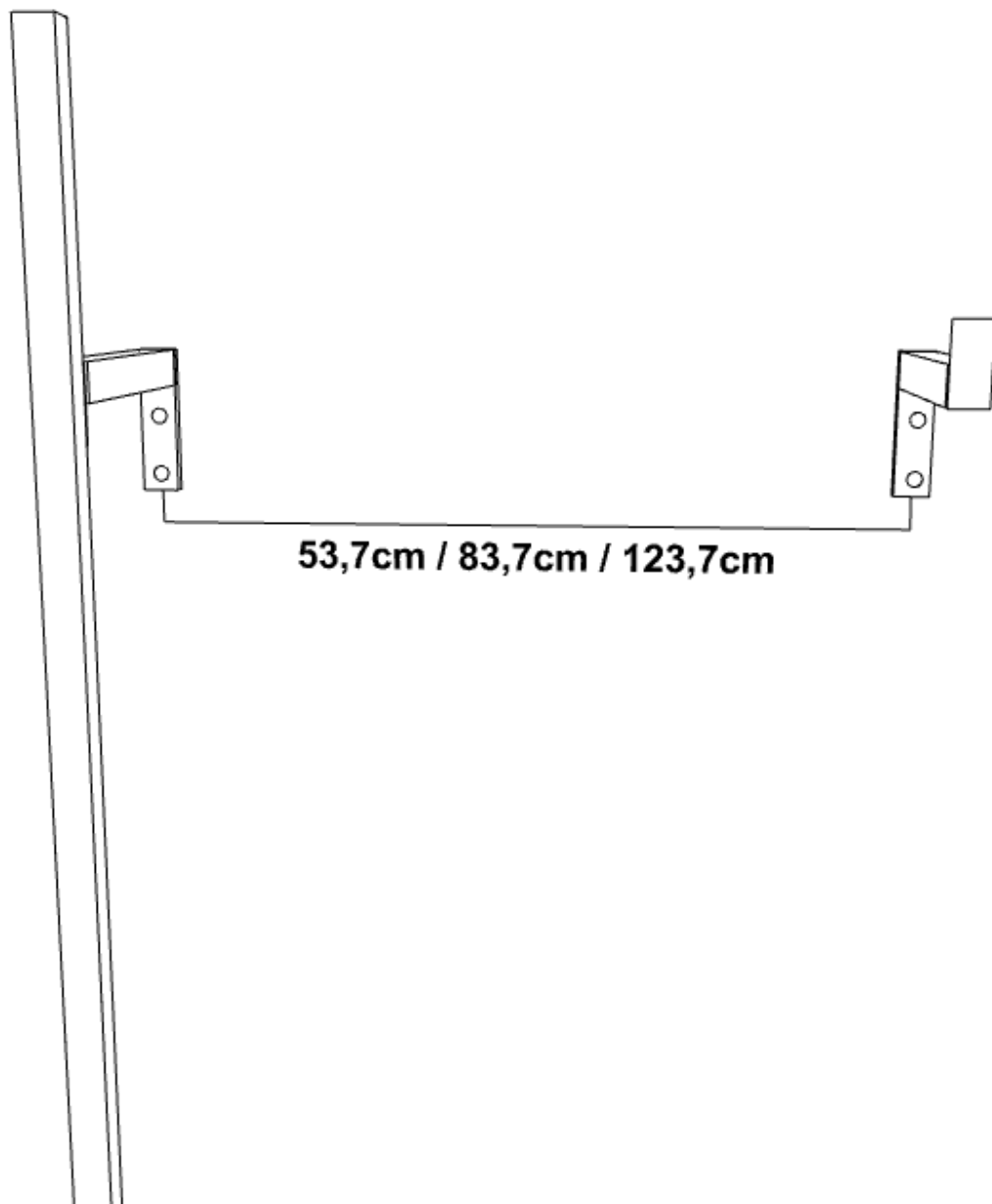


Adjust height of screw to fit with floor



7 Attach next brackets

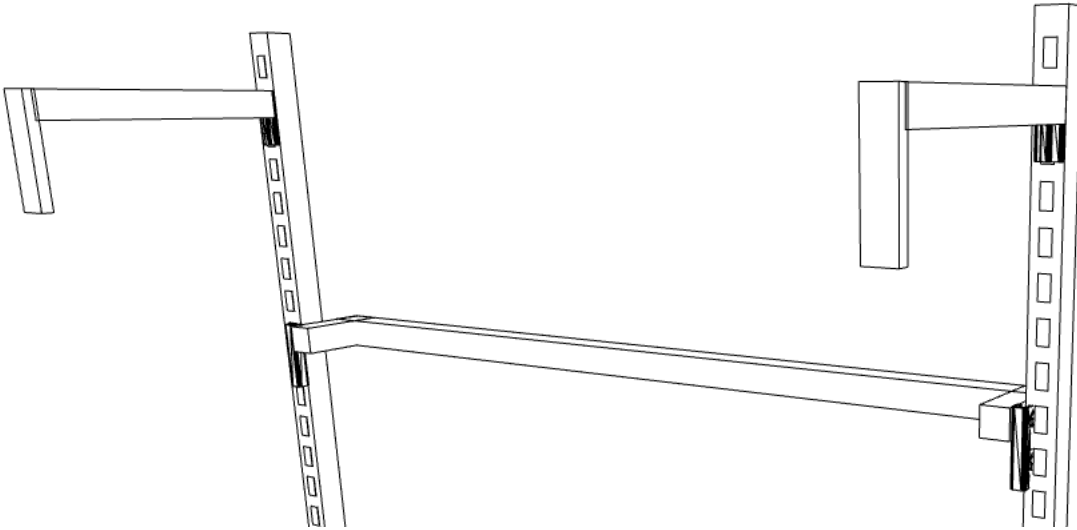
- For 50cm rows : 53,7cm distance between screw holes
- For 80cm rows : 83,7cm distance between screw holes
- For 120cm rows : 123,7cm distance between screw holes



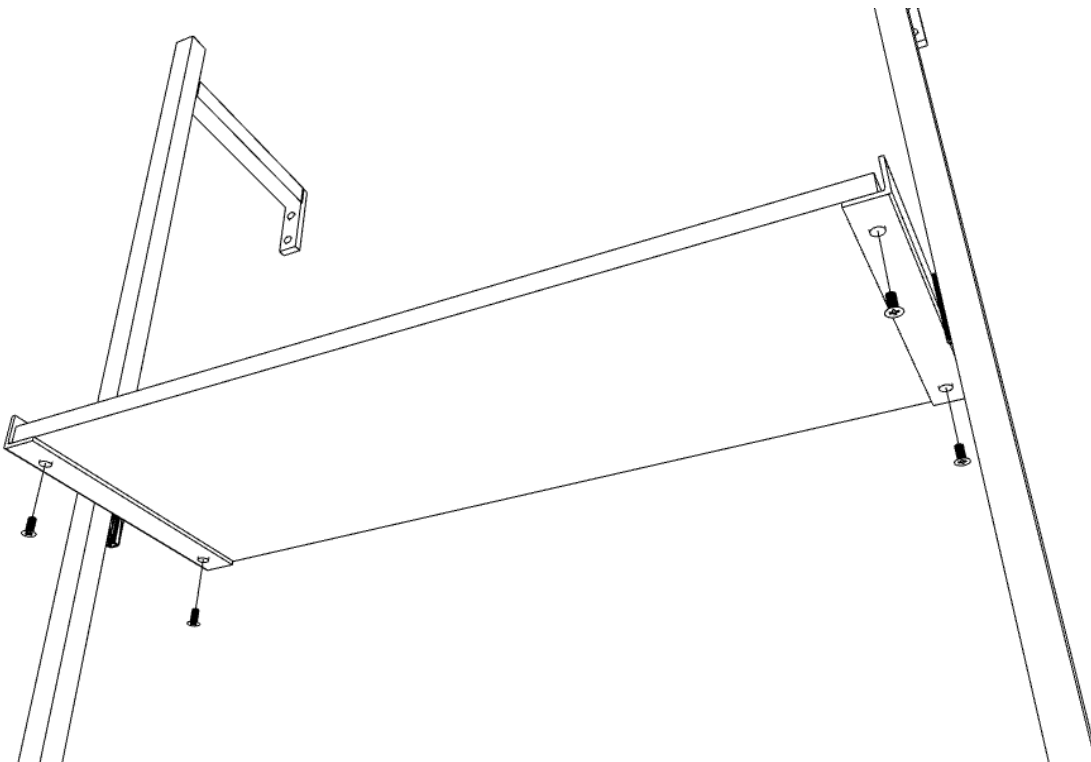
8 Repeat steps 4 – 7 for all rows

9 Add elements

- Rails: Can be attached at preferred height

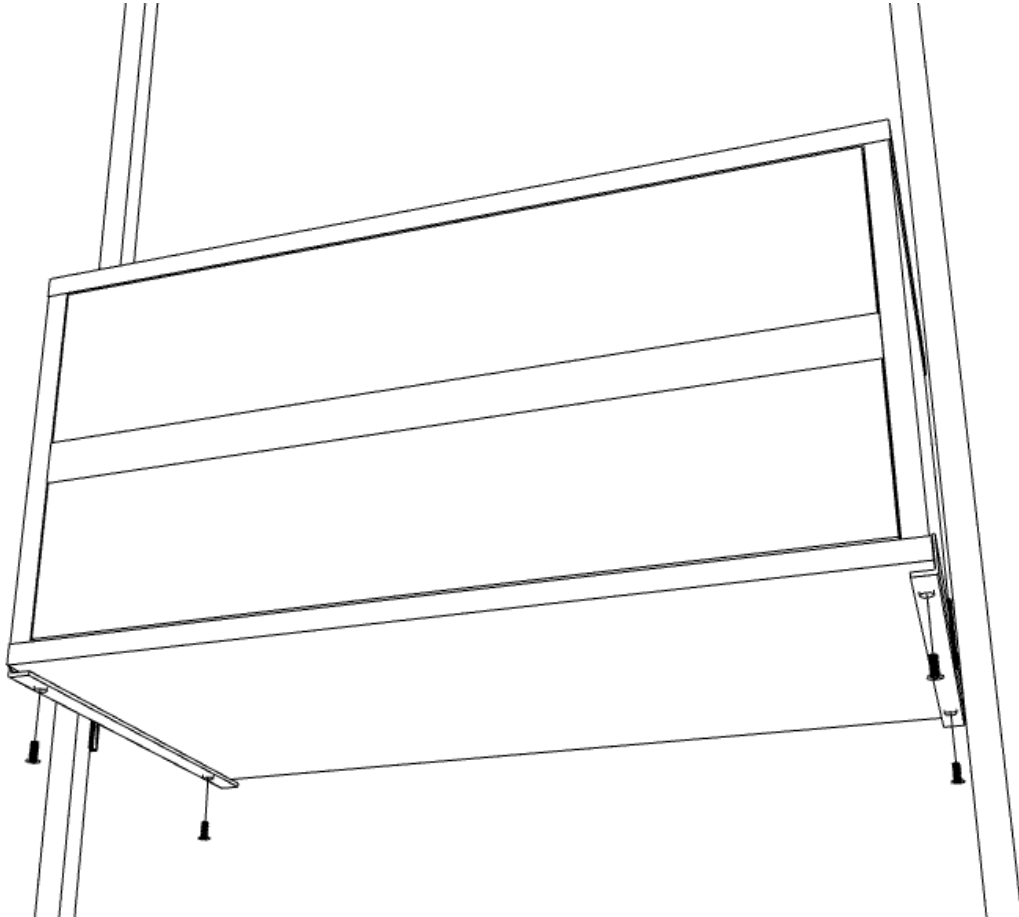


- Shelves & Desks: Add supports and attach shelf/desk



- Dressers: Assemble dresser (see guide in boxes)

Add dresser supports and attach dresser using small wood screws



Tip: Attach dresser with supports higher up. Once dresser is attached, move the dresser with brackets further down in preferred position