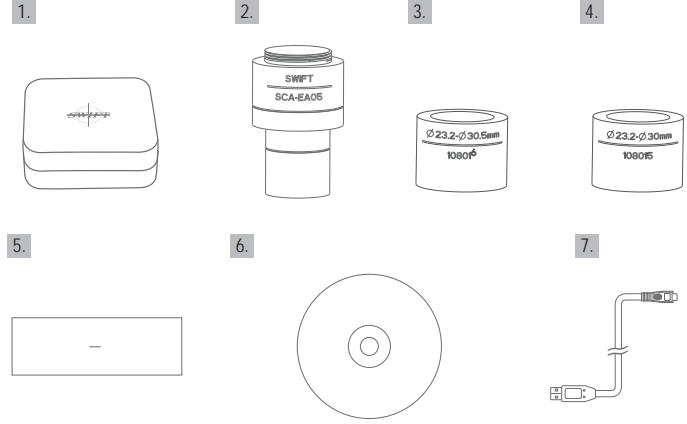


Quick Start Guide

Thank you for purchasing this Swiftcam series camera. This camera is a delicate instrument and should be handled with care. When not in use, please store it in a safe place with the dust cap attached. Do not let the camera get in contact with water or expose it to extreme temperatures (below 0 or above 50 degrees Celsius).

Should you have any questions, please do not hesitate to contact our customer service.

I . Product Components



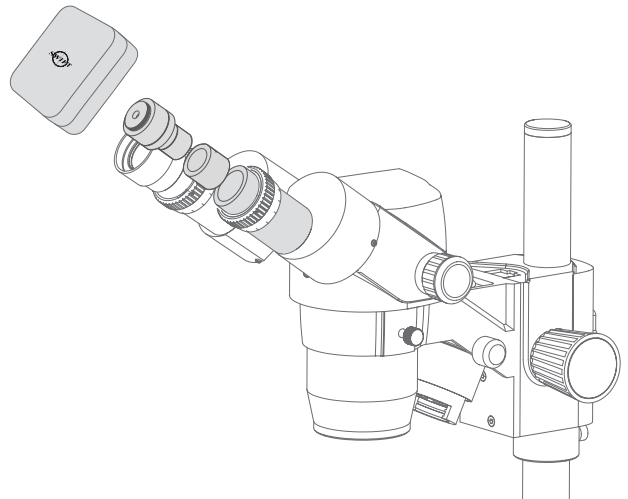
- 1. Swiftcam Camera
- 2. 0.5x Reduction Lens
- 3. Φ23.2-Φ30.5mm Eyepiece Tube Adapter
- 4. Φ23.2-Φ30mm Eyepiece Tube Adapter
- 5. Calibration Kit
- 6. Application CD
- 7. USB Cable

II . Install Swift Imaging 3.0 Application in your computer

1. For Windows user, please run application CD and choose Install Application in CD installation interface to install it to your computer directly.
2. For Mac OSX user, please browse the CD and copy the file SwiftImaging.dmg under directory MAC to anywhere on your computer hard drive. Double click the SwiftImaging.dmg file and it will install automatically.
3. For Linux user, please browse the CD and untar SwiftImaging.x64.tar.bz2 or SwiftImaging.x86.tar.bz2 under directory Linux to anywhere on your hard drive. Running the run file will install the application. Double click Swift Imaging 3.0 on the desktop to run the application. Root privilege is required to install it.

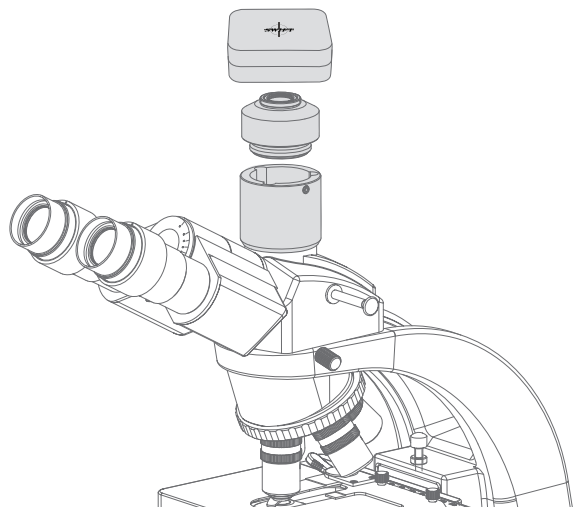
III . Using the camera on a microscope eyepiece tube

1. Install the Swift Imaging 3.0 application program from the CD included.
2. Remove the dust cap from the camera and attach the reduction lens.
3. Choose the eyepiece tube adapter according to your microscope eyepiece tube size and attach it to reduction lens. (The reduction lens itself is for an eyepiece tube in internal diameter 23.2mm and adapter is not required in this case. If your microscope eyepiece tube is in 30mm or 30.5mm internal diameter, please choose the adapters accordingly)
4. Attach this assembly to your microscope's eyepiece tube.
5. Connect the USB cable into the camera and then plug it into the computer.
6. Please refer to help contents (manual) under software help menu for the usage of the Swift Imaging 3.0.



IV . Using the camera on a trinocular microscope with C-Mount

1. Install the Swift Imaging 3.0 application program from the CD included.
2. Remove the dust cap from the camera and attach the microscope's C-Mount adapter. (Please note that the C shape C-Mount adapter is specific to your microscope. Please consult the relevant Microscope Accessory list and choose an appropriate adapter for your Swiftcam camera).
3. Attach assembly above to microscope trinocular port and connect the USB cable onto the camera and then plug it into the computer.
4. Please refer to help contents (manual) under software help menu for the usage of the Swift Imaging 3.0.

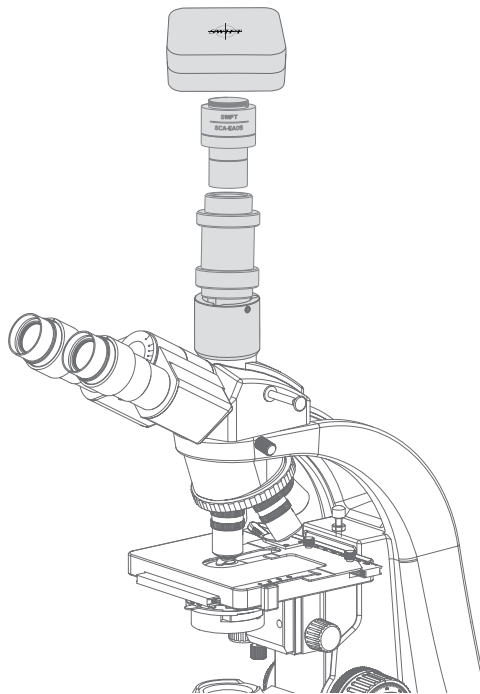


V. Using the camera on a trinocular microscope with eyepiece adapter

1. Install the Swift Imaging 3.0 application program from the CD included.
2. Remove the dust cap from the camera and attach the reduction lens.
3. Mount your eyepiece adapter to microscope trinocular port and then attach this assembly above to your microscope's eyepiece adapter.

(Please note that the eyepiece adapter is specific to your microscope. Please consult the relevant Microscope Accessory list and choose an appropriate adapter for your Swiftcam camera).

4. Connect the USB cable onto the camera and then plug it into the computer.
5. Please refer to help contents (manual) under software help menu for the usage of the Swift Imaging 3.0.



Swift Swiftcam Series Microscope Cameras

Quick Start Guide

