



ALL-O-MATIC®

SW-300AC | SW-350AC

AC SWING GATE OPERATORS MANUAL

UL325
COMPLIANT

UL991
COMPLIANT

CANADA
CSA C22.2
COMPLIANT



TABLE OF CONTENTS

SAFETY AND INTRODUCTION

Safety Instructions	1-2
UL 325 Cass Types	3
Operator Specifications	4

INSTALLATION

SW-300 AC Concrete Pad Installation	5
SW-350 AC Concrete Pad Installation	6
Operator and Arm Dimensions	7
Operator Placement and Arm Layout	8-9
Compact Installation	10
Torque Limiter and Arm Adjustment	11
Entrapment Protection Installation	12
Loop Layout	13
Electrical Connection	14
Gate Travel Adjustment	15

BOARD FEATURES

Gate Opening Direction Setting	16
Programmable Relay and Leaf Delay	17
Timer Adjustment and Radio Setting	18
Dip Switch Functions	19
Electronic Reversing Device (ERD) Adjustment	20

WIRING ACCESSORIES TO CONTROL BOARD

Accessory Connections	21
Monitored Entrapment Protection Device Connection	22-23
Loop Rack Installation	24
Three-Button Station Connection	25
Master/Slave Connection	26
Radio Receiver Connection	27
Magnetic/Solenoid Lock Connection	28

EMERGENCY RELEASE INSTRUCTIONS

WARRANTY AND CUSTOMER RECORD

SWINGER ARM ASSEMBLY

PARTS BREAKDOWN

SW-300 AC Blowout Drawing	Check Website
SW-350 AC Blowout Drawing	Check Website

IMPORTANT SAFETY INSTRUCTIONS

WARNING

TO REDUCE THE RISK OF **INJURY**:

READ AND FOLLOW ALL INSTALLATION INSTRUCTIONS. DO NOT START INSTALLATION UNTIL YOU HAVE READ AND UNDERSTAND THESE DIRECTIONS. IF THERE IS SOMETHING YOU DO NOT UNDERSTAND, PLEASE CALL US.

NEVER let children operate or play with gate controls.

Locate the control station and make sure it is (a) within sight of the gate and (b) at a minimum height of 5 feet so small children cannot reach it.

Install the enclosed entrapment warning signs next to the control station and in a prominent location.

For operators equipped with a manual release, instruct the end user on the correct operation of the manual release. Use the manual release only when the gate is not moving. It is advised that the power be turned off.

Always keep people and objects away from the gate. No one should cross the path of a moving gate.

The gate operator must be tested monthly. The gate must reverse on contact with a rigid object, or stop when an object activates the non-contact sensor(s). Always re-test the operator after adjusting the limits and/or force. Failure to adjust and re-test the gate operator properly may cause severe injury or death.

Keep gate(s) properly maintained. Have a qualified service technician make repairs to gate hardware and make proper adjustments to gate operator.

This gate entrance/exit is for vehicles only. Pedestrians must use a separate entrance.

There is nothing on a gate operator that is easily repaired or adjusted without a great deal of experience. Call a qualified gate service technician who knows your gate operator.

SAVE THESE INSTRUCTIONS

INSTALL THE GATE OPERATOR ONLY WHEN YOU HAVE READ THE FOLLOWING

BEFORE GATE OPERATOR INSTALLATION

- Confirm that the gate operator being installed is appropriate for the application.
- Confirm that the gate is designed and built according to the current published industry standards.
- Confirm that all appropriate safety features and safety accessory devices are being installed, including all entrapment protection devices.
- Make sure that the gate opens and closes freely (by hand) before installing the operator.
- Repair or replace worn or damaged gate hardware before installing the gate operator.
- Eliminate all gaps in the sliding gate below a 6 foot height that permits a 2 1/4" sphere to pass through any location. This includes the area of the adjacent fence covered when the gate is in the open position
- Eliminate all gaps in a swing gate below a 4 foot height that permits a 4" sphere to pass through any location. This includes the hinge area of the gate.
- Install a proper electrical ground to the gate operator.
- Controls intended for user activation must be located at least 6 feet away from any moving part of the gate, and where the user is prevented from reaching over, under, around, or through the gate to operate the controls.
- Outdoor or easily accessible controls shall have a security feature to prevent unauthorized use.
- The stop and/or reset button must be located in the line of sight of the gate. Activation of the operator reset control shall not cause the operator to move.
- Install a minimum of 2 warning signs, one on each side of the gate where they are easily visible.
- Take pictures of the installation.
- Test all safety features for proper function before placing the automatic vehicular gate in operation.

GATE OPERATOR INSTALLATION

- Operator must be disconnected from the power source before attempting any installation of accessories.
- Install gate operator according to the installation instructions in this manual.
- Adjust the operator clutch or load sensing device to the minimum force setting that will allow for reliable gate operation.
- Install the operator inside the fence line. Do not install the operator on the public side of the fence line.

MAINTENANCE

- Train owners/users on the basic functions and safety features of the gate system, including how to turn off the power and operate the manual disconnect feature.
- Leave safety instructions, product literature, installation manual, and maintenance manual with the owner or end user.
- Explain to the owner or end user the importance of routine service and operator testing on a monthly basis.

Each class must have (2) monitored entrapment protection devices in each entrapment zone to sense and react to obstructions within 2 seconds.

All-O-Matic's gate operators conform to the most rigid Class One.

UL 325 CLASS TYPES

CLASS ONE: RESIDENTIAL

- A vehicular gate operator intended for use in garages or parking areas associated with a residence of one to four single families.

CLASS TWO: COMMERCIAL OR GENERAL PUBLIC ACCESS

- A vehicular gate operator intended for use at a commercial location or building, such as a multi-family housing units (five or more single family units), hotels, garages, retail stores, or other buildings accessible by or servicing the general public.

CLASS THREE: INDUSTRIAL OR LIMITED ACCESS

- A vehicular gate operator intended for use at an industrial location or building, such as a factory, loading dock area, or other location not accessible by or intended to service the general public.

CLASS FOUR: RESTRICTED ACCESS

- A vehicular gate operator intended for use at a guarded industrial location or building, such as airport security areas or other restricted access locations not servicing the general public and where unauthorized access is prevented via supervision by security personnel.

THE SIX TYPES OF OBSTRUCTION SENSING SYSTEMS

TYPE A:

- Inherent entrapment protection system. This system must sense and initiate the reverse of the gate within 2 seconds of contact with a solid object.

TYPE B1:

- Non-contact sensor (photoelectric sensor or equivalent). This system shall, upon sensing an obstruction in the direction of the gate travel, reverse the gate within a maximum of 2 seconds.

TYPE B2:

- Contact sensor (edge device or equivalent). This system shall, upon sensing an obstruction in the direction of the gate travel, initiate the reversal of the gate within a maximum of 2 seconds.

TYPE C:

- Inherent force limiting, inherent adjustable clutch, or pressure relief valve.

TYPE D:

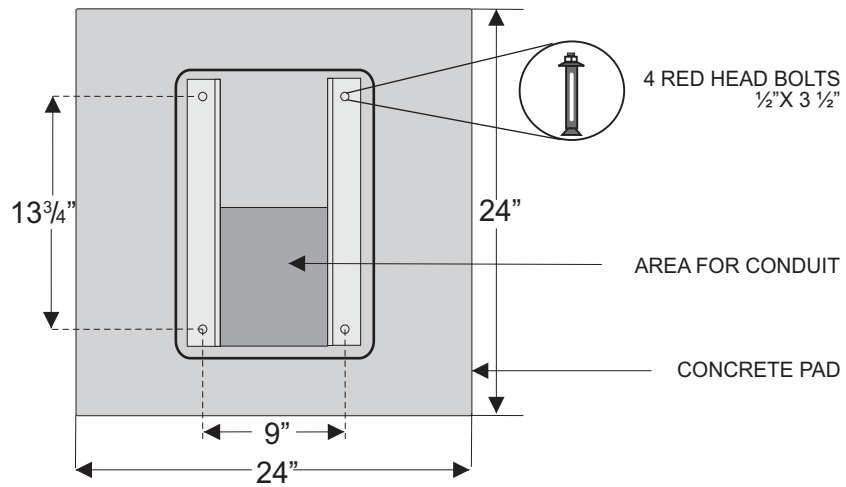
- Actuating device requiring continuous pressure to maintain opening or closing motion of the gate.

SPECIFICATIONS

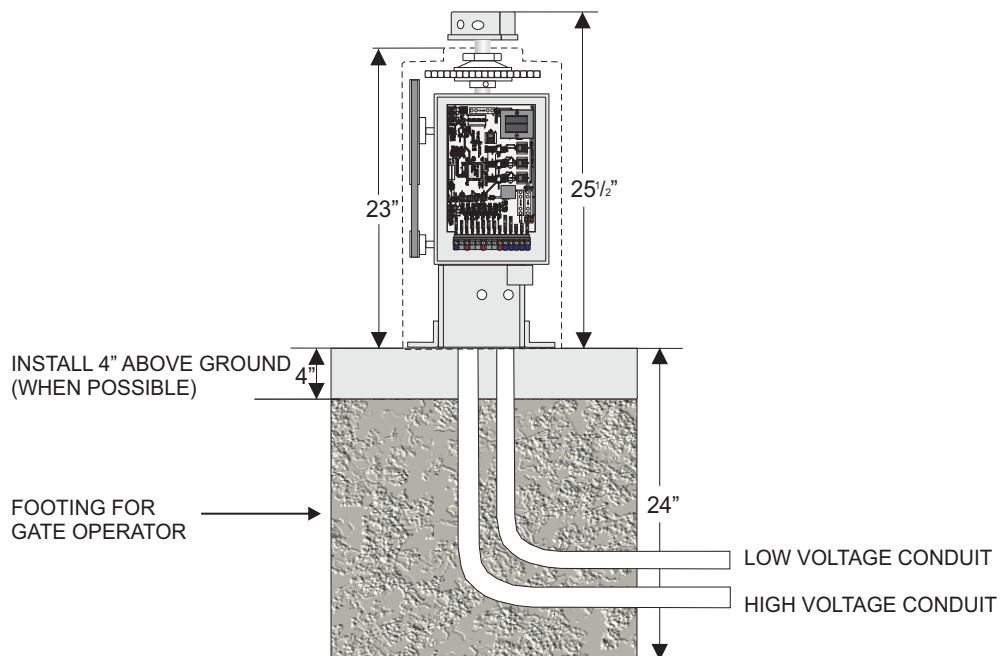
	SW-300 AC	SW-350 AC
Max Gate Weight	800 lbs.	1/2 HP: 800 lbs. 1 HP: 1,500 lbs.
Max Gate Length	20'	22'
Warranty	7 year residential 5 year commercial	7 year residential 5 year commercial
Motor	1/2 HP	1/2 HP & 1 HP
Gate Speed	17 seconds per 90 degree opening	19 seconds per 90 degree opening
Power	115 VAC single phase 4.7 amps	115 VAC single phase 1/2 HP: 4.7 amps - 1 HP: 8.4 amps
Duty Cycle	Continuous	Continuous
Temperature Range	-40° to 160°	-40° to 160°
Gear Box Ratio	60:1	60:1 with internal clutch
Dimesions	12" W X 17" L X 25.5" H	14" W X 24" L X 18" H
Shipping Weight	110 lbs.	125 lbs.
Emergency Release	Quick release arm with the power off	Quick release arm and foot pedal release
Belt Size	4L-340	4L-400
Main Sprocket	40A54TX2 with torque limiter	40B54 X 1 1/4" bore
Chain Size	40NP on torque limiter	40NP on drive sprocket
Gear Box Sprocket	40B14 X 7/8" bore	40B12 X 1" bore
Limit Shaft Sprocket	N/A	N/A
Breaker Requirement	20 amp dedicated	20 amp dedicated
Gearbox Pulley	8" with 5/8" bore	7" with 3/4" bore
Motor Pulley	2" with 5/8" bore	2" with 5/8" bore
UL Classes	I, II, III & IV	I, II, III & IV

SW-300 AC CONCRETE PAD INSTALLATION

TOP VIEW

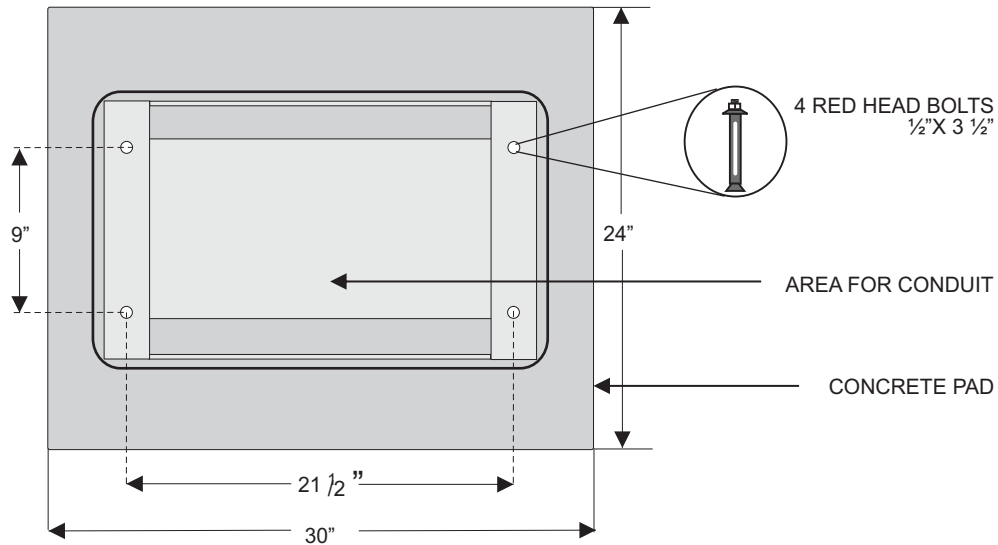


FRONT VIEW

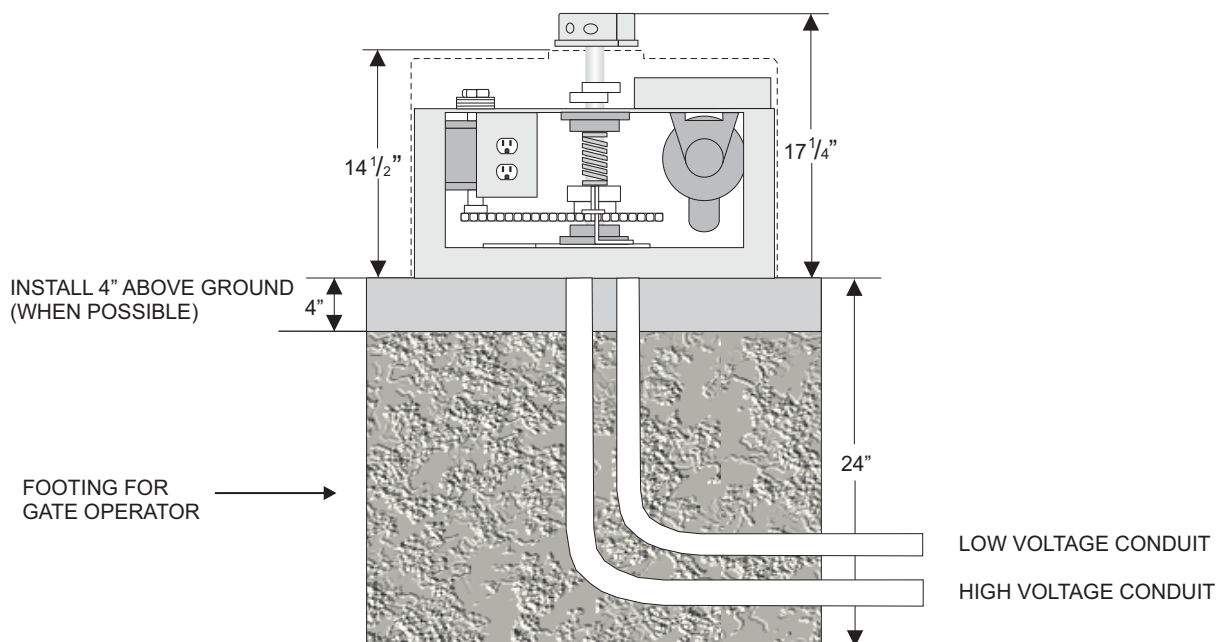


SW-350 AC CONCRETE PAD INSTALLATION

TOP VIEW



FRONT VIEW



OPERATOR AND ARM DIMENSIONS

Please refer to the chart and drawing below for operator and arm dimensions.

A: The distance between the center of the gate bracket and the center of the hinge point.

B: The distance between the gate hinge point and the edge of the operator concrete pad.

C: The distance from the gate in the open position to the center of the operator shaft.

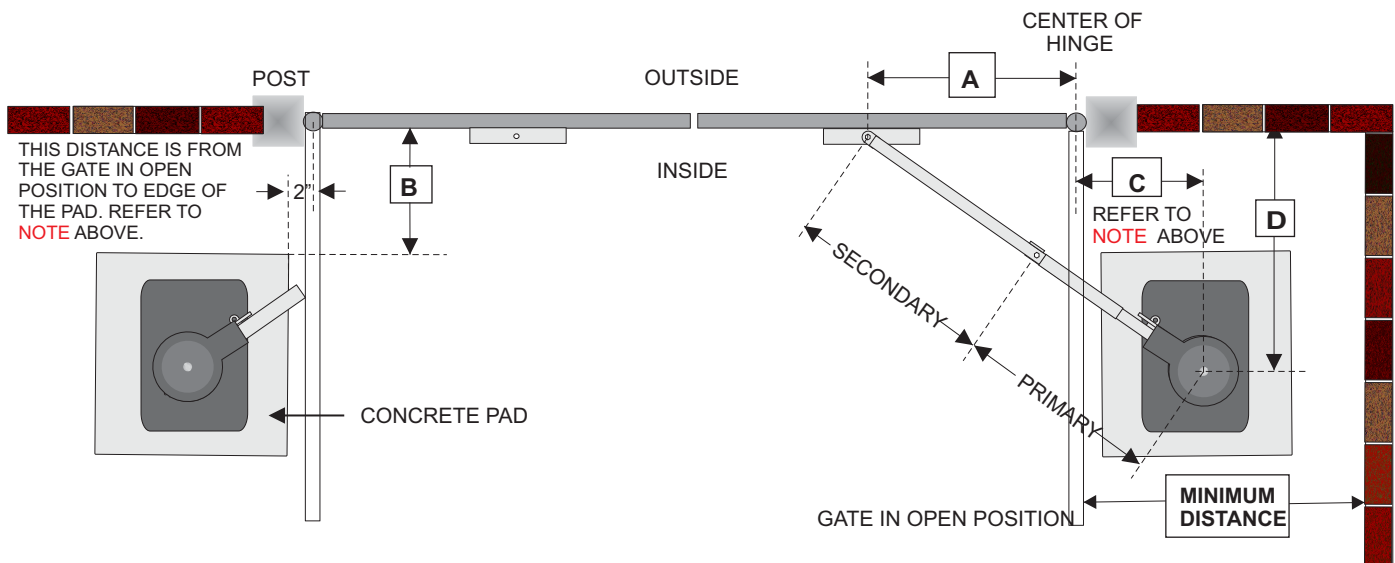
D: The distance from the center of the gate hinge to the center of the operator shaft.

Minimum distance: The minimum distance required behind an open gate and an obstruction (ie: wall, bush, etc).
If this distance is between 20" and 34", refer to the compact installation page.

Dimensions Chart

Gate length	A	B	C	D	Minimum Distance
Less than 12'	36"	32"	13"	46"	34"
13'-15'	42"	38"	13"	52"	37"
16'-22'	48"	44"	13"	58"	40"

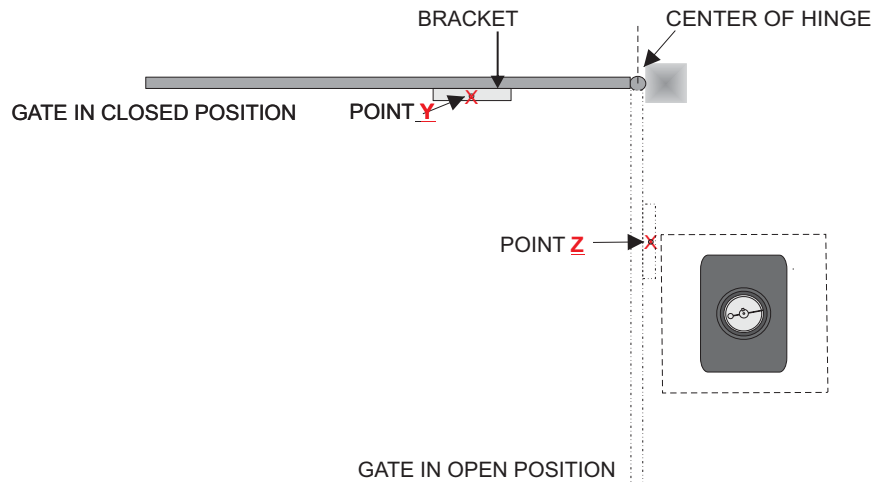
NOTE: The 2" distance shown above is from the gate in the open position (90 degrees) to the edge of the concrete pad. If the gate must open more than 90 degrees, the concrete pad and distance "C" need to move back accordingly. The distance between the open gate and the concrete pad needs to remain 2".



OPERATOR PLACEMENT AND ARM LAYOUT

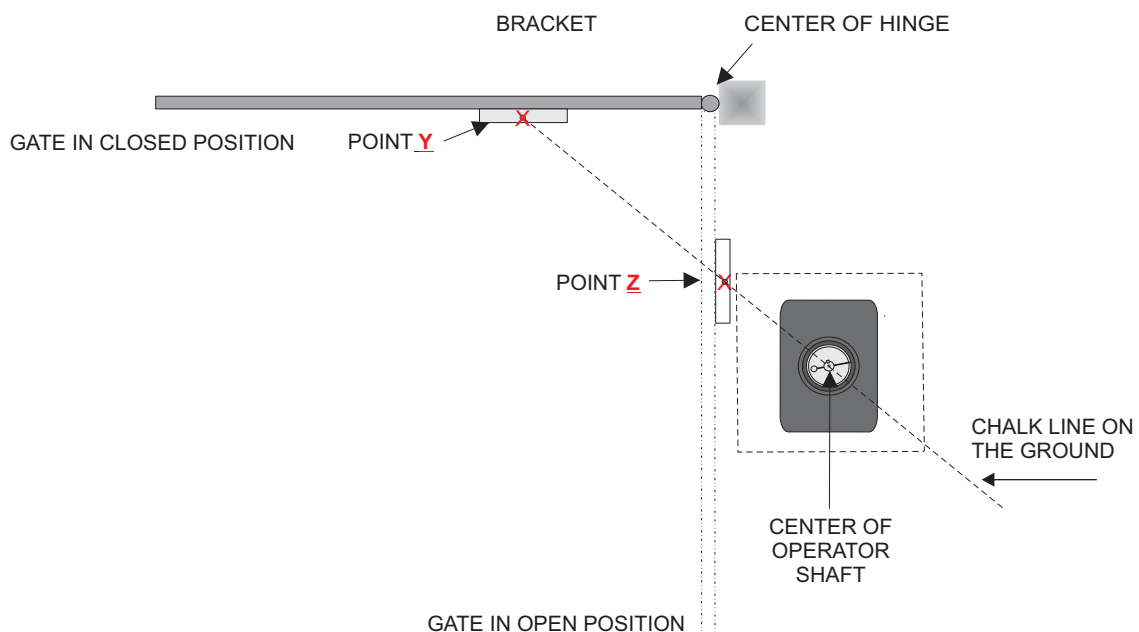
Step 1:

- With the gate in the desired closed position, mark the ground directly below the center of the gate bracket. This will be point **Y**.
- With the gate in the desired open position, mark the ground directly below the center of the gate bracket. This will be point **Z**.



Step 2:

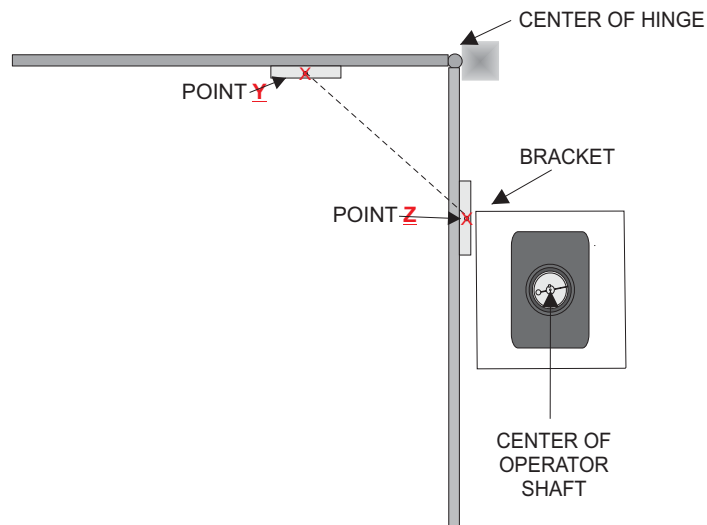
- Chalk out a line connecting point **Y** and going past point **Z** as shown in the drawing below.
- The center of the operator shaft goes on this line. Bolt down operator.



OPERATOR PLACEMENT AND ARM LAYOUT

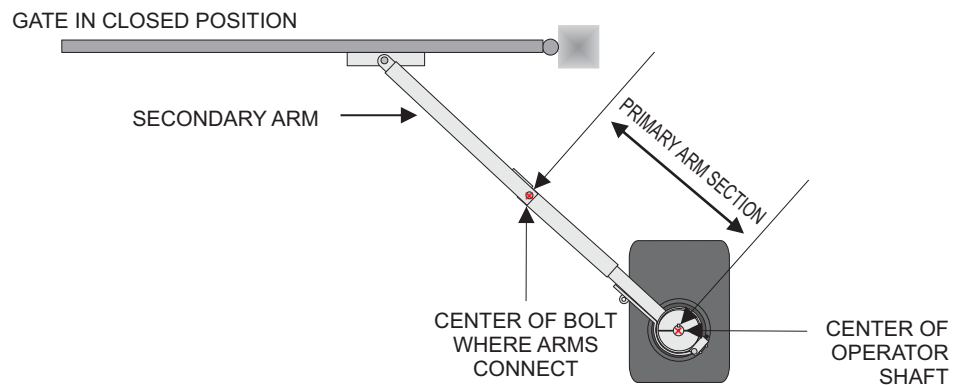
Step 3:

- Measure the distance between point **Y** and point **Z**. Divide this number in half.
- This number is length of the primary arm section in the next step.
- **Please be exact.**



Step 4:

- Cut the primary arm section the measurement you recorded in Step 3 (half the distance between point **Y** and point **Z**).
- The secondary arm makes up the rest of the arm length to the gate bracket and does not need to be measured exactly.

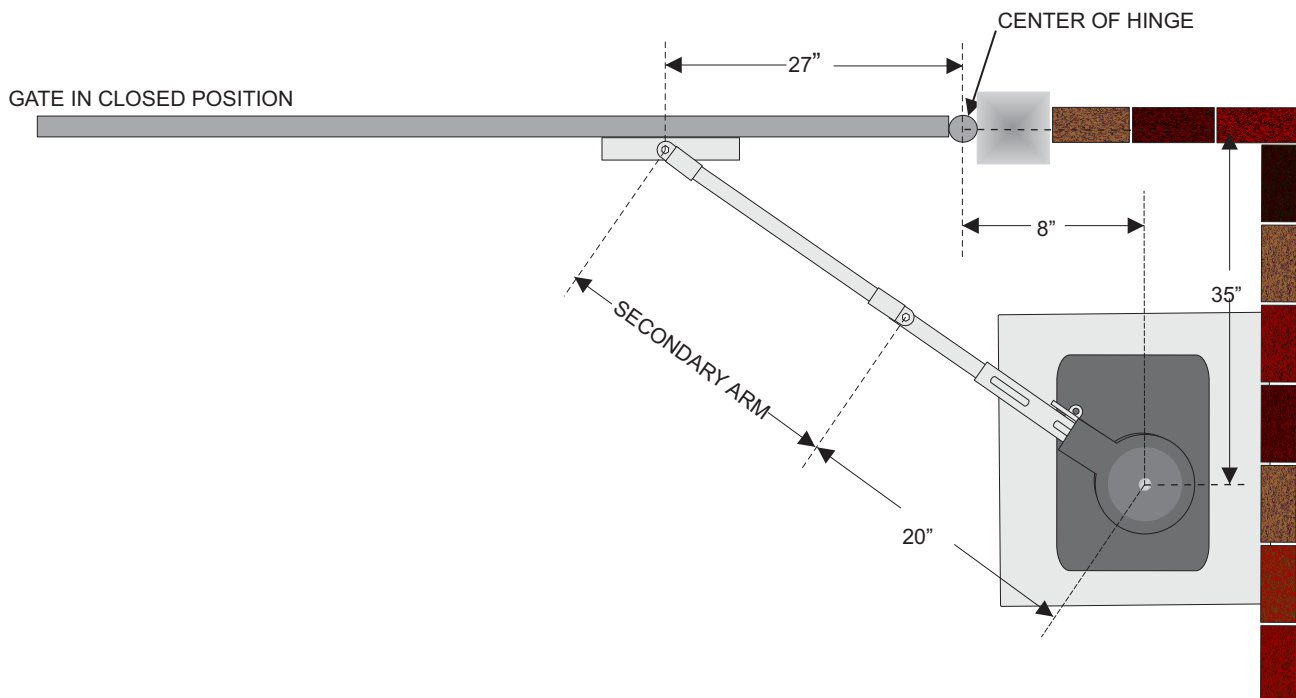
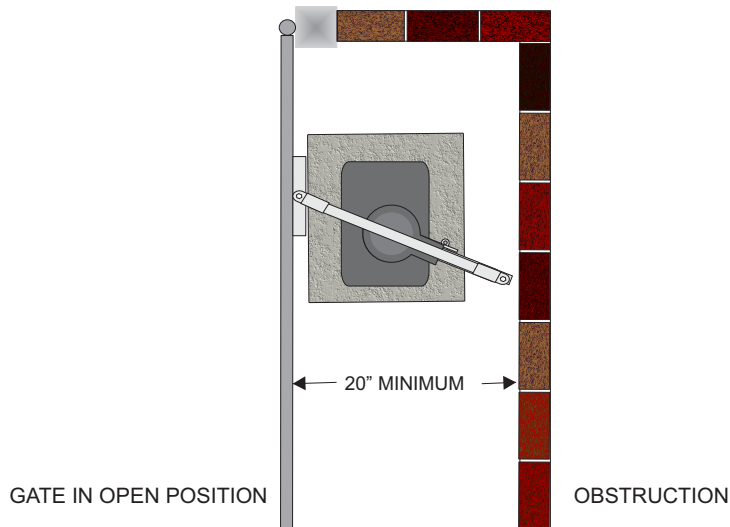


COMPACT INSTALLATION

The gate must be 12'0" long or less to use this installation.

The measurements in the installation drawing below will only work if the distance between the gate in the open position and the obstruction (ie: wall, bush, etc) is between 20" and 34". If you have more than 34", please refer to the standard installation.

The secondary arm makes up the rest of the arm length to the gate bracket and does not need to be measured exactly.

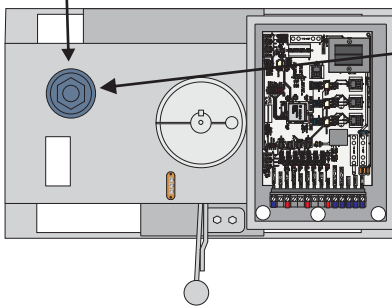


TORQUE LIMITER AND ARM ADJUSTMENT

- The torque limiter on the operator is shipped loose (not adjusted). Use a 20" pipe wrench to adjust the large torque limiter nut on the operator, as shown in the images below.
- Tighten the torque limiter nut until the arm does not slip while the operator is running.
- Be sure to run the gate and grab the gate by hand to make sure the torque limiter will slip.
- This is an important adjustment. Please make sure to take the time to do it correctly.

SW-350 AC

TORQUE LIMITER
ADJUSTING NUT.



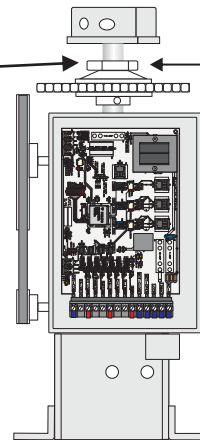
TOP VIEW

20" PIPE WRENCH



SW-300 AC

TORQUE LIMITER
ADJUSTING NUT.



SIDE VIEW

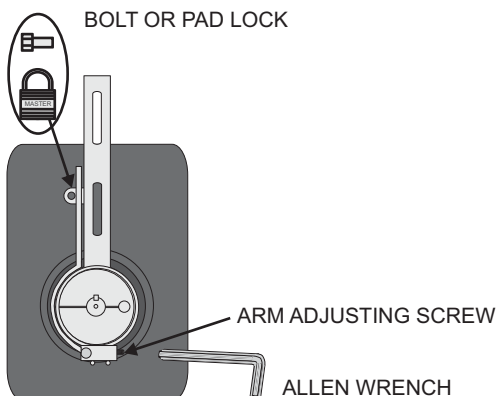
Arm Adjustment:

- Use a bolt or pad lock to hold the arm lever in the closed position.
- With the arm lever closed, use an allen wrench to tighten the arm adjusting screw.

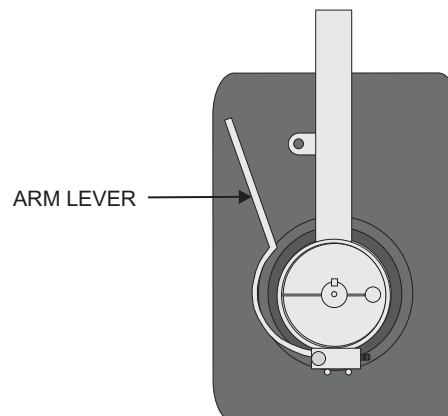
Arm Quick Release:

- To release the arm with the quick release, remove the bolt or pad lock from the arm lever and open it fully.
- Opening the arm lever will allow you to manually open and close the gate.

ARM ADJUSTMENT

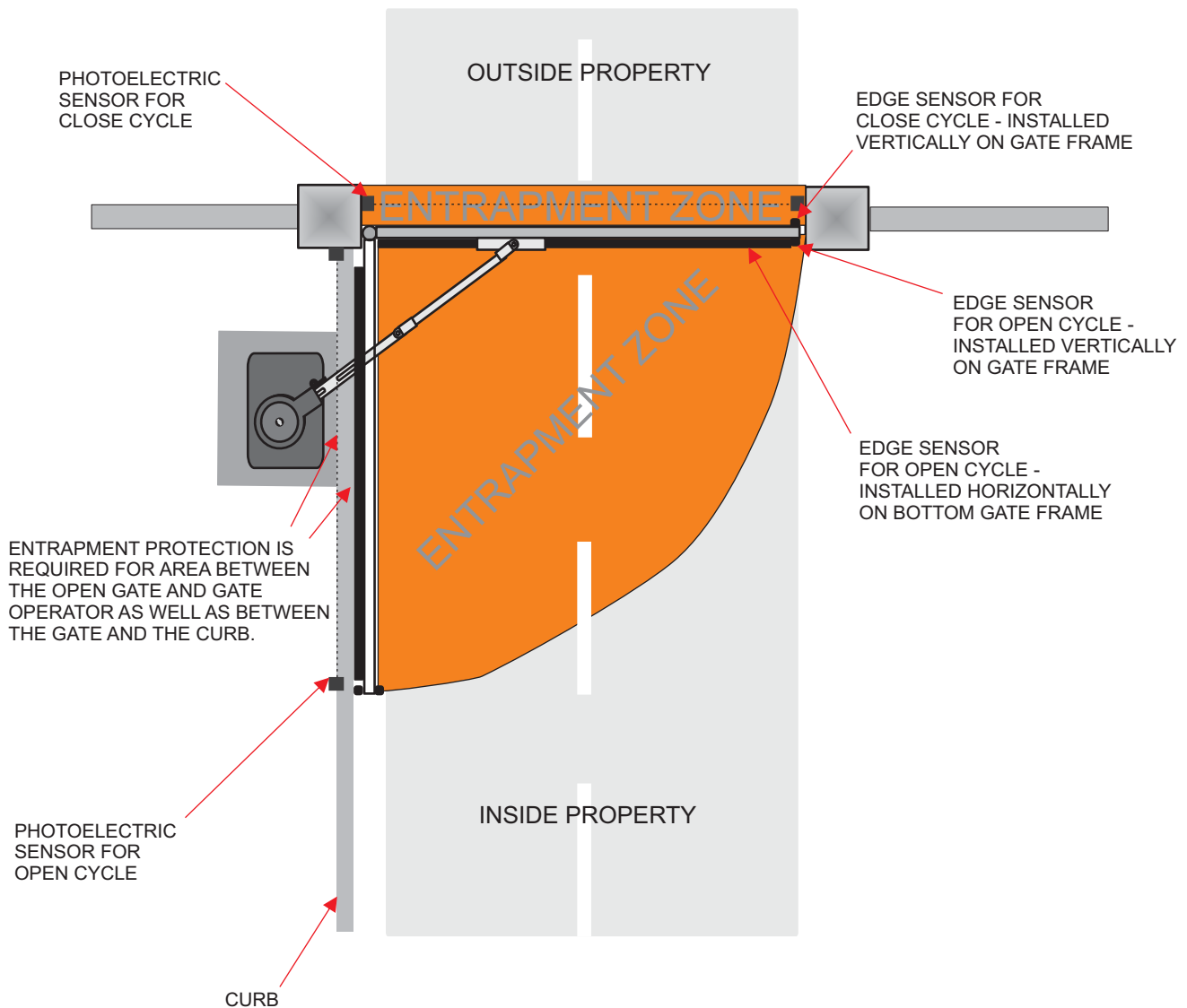


ARM QUICK RELEASE



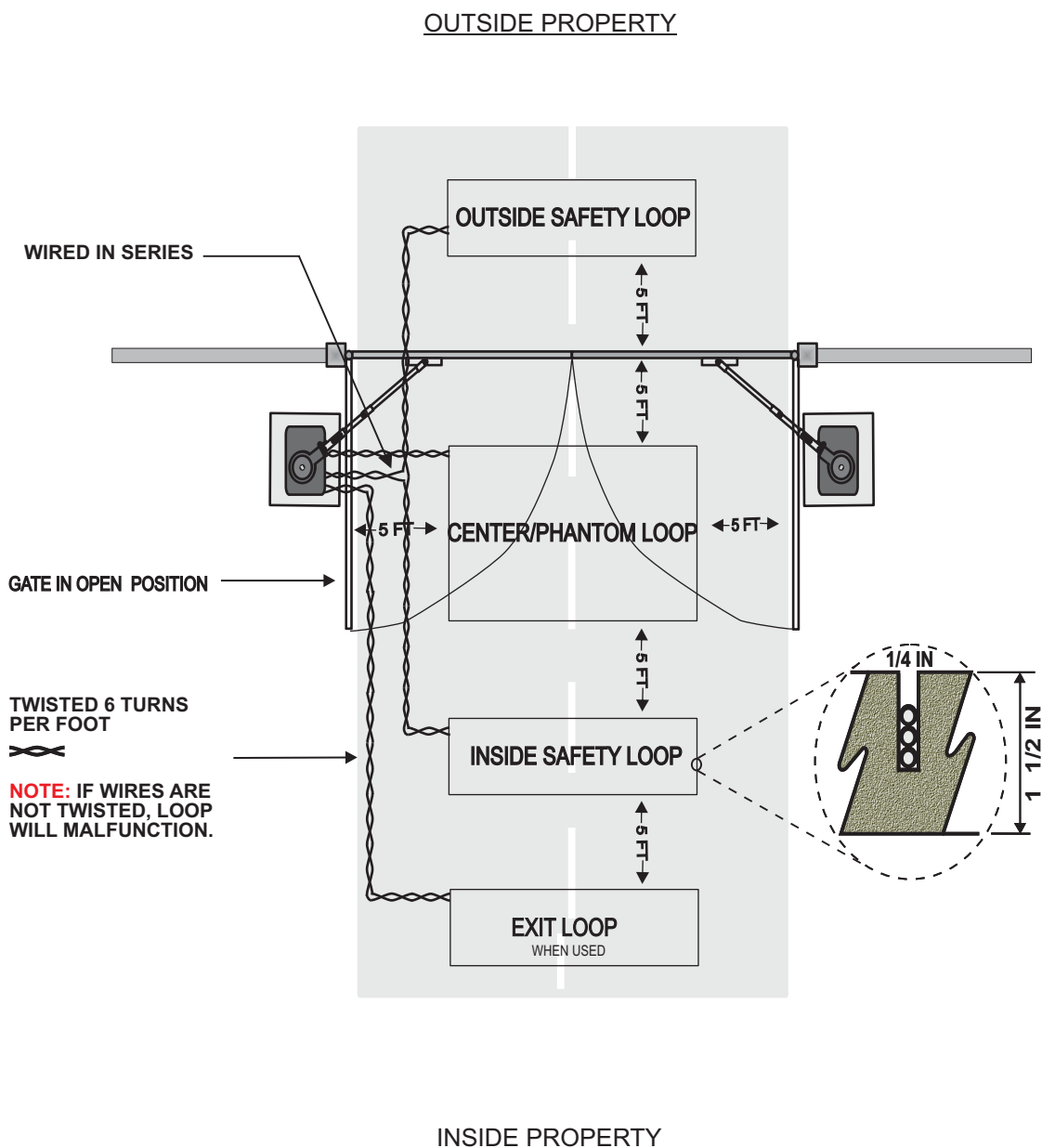
ENTRAPMENT PROTECTION INSTALLATION

- A minimum of (2) monitored entrapment protection devices are **REQUIRED** for each entrapment zone.
- An entrapment zone is a location or point of contact where a person can become entrapped between a moving gate and a rigid object.
- The operator is equipped with an inherent entrapment protection system (ERD).
- The gate operator requires an external monitored entrapment protection device (non-contact photoelectric sensor or contact edge) for each entrapment zone prior to gate operation. The operator cycles power to the external entrapment protection device and checks for device signals. If the operator does not receive the correct feedback from the device, the gate will not operate.



LOOP LAYOUT

- Below is a typical loop layout. When connecting to an All-O-Matic circuit board, use the following:
 - Safety Loop - Normally Closed (N.C) Contacts
 - Center/Phantom Loop - Normally Open (N.O.) Contacts
 - Exit Loop - Normally Open (N.O.) Contacts
- Wires **MUST** be twisted from the exit point of the loop saw cut to the gate operator.
- Twist loop wires 6 turns per foot, as shown below. Improper twisting of wires can cause loop issues.
- When using an inside and outside safety loop, loops must be **WIRED IN SERIES**.



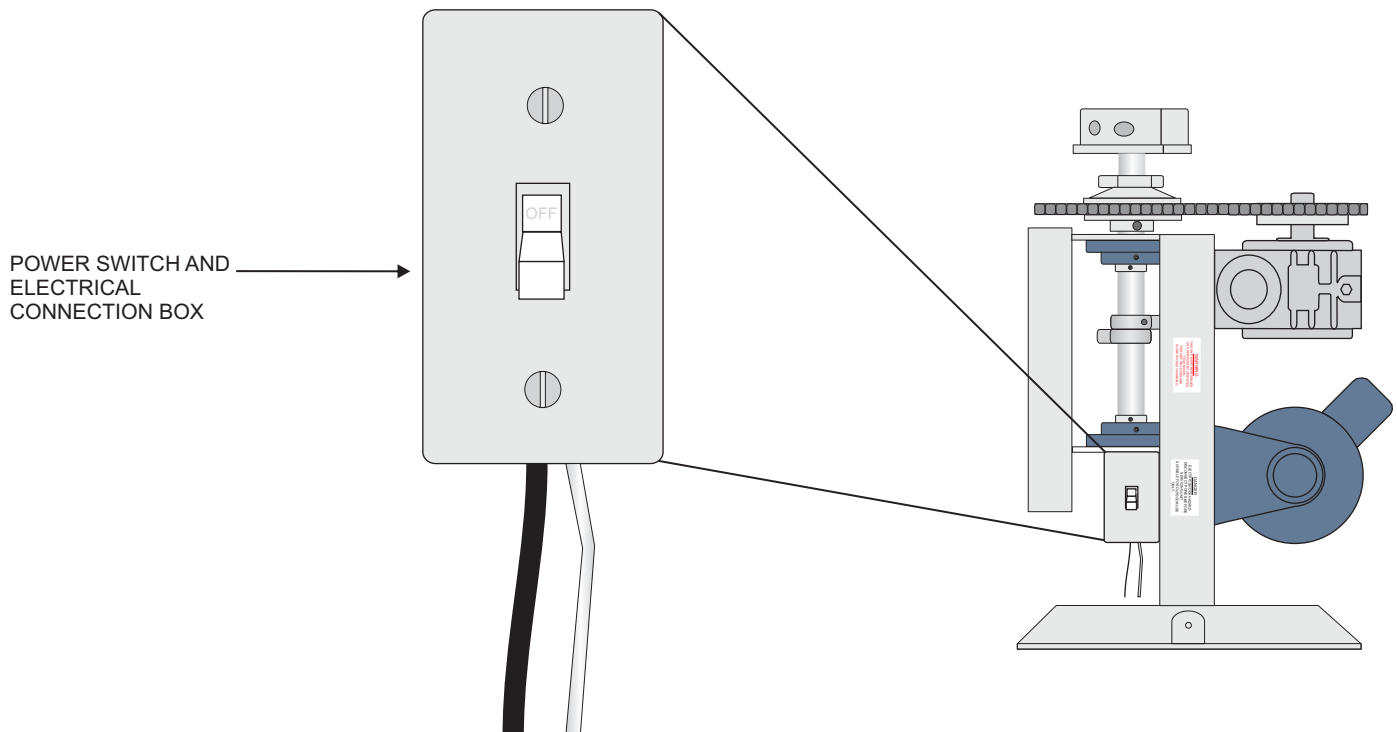
ELECTRICAL CONNECTION

OPERATORS **MUST** BE PROPERLY GROUNDED!

- All gate operators **MUST** be properly grounded. This minimizes or prevents damage due to electrical charge, such as a near lightning strike or an electrical static discharge.
- Use a single wire for the ground. **DO NOT** splice two wires for the ground. If the wire breaks or is cut, replace it with a single length wire. **NEVER** use two wires for the ground.
- Check the local city code for proper earth ground rod type and grounding procedures.
- Use UL listed conduits for power wire enclosure.

- Use a minimum of a **20-AMP**, dedicated circuit for power.

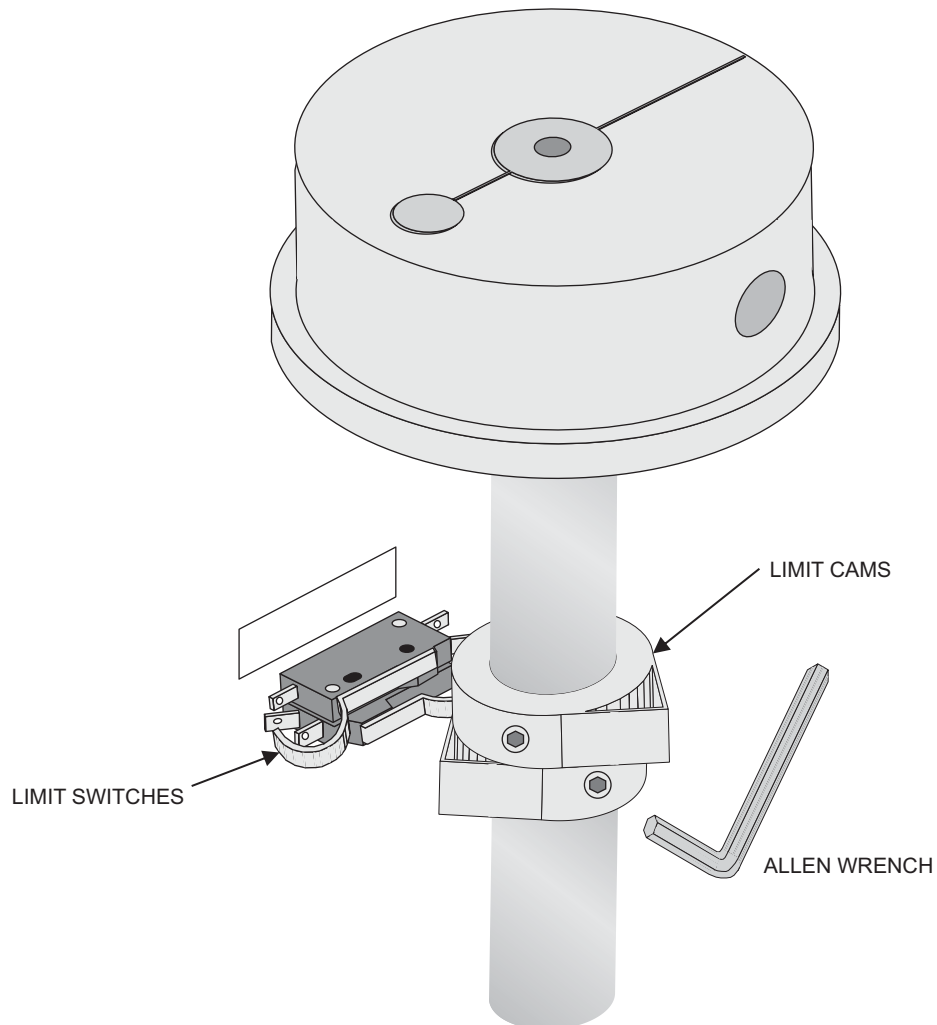
Operator wires	120 VAC FROM BREAKER
BLACK	120 VAC (HOT)
WHITE	AC NEUTRAL
GREEN	GROUND



GATE TRAVEL ADJUSTMENT

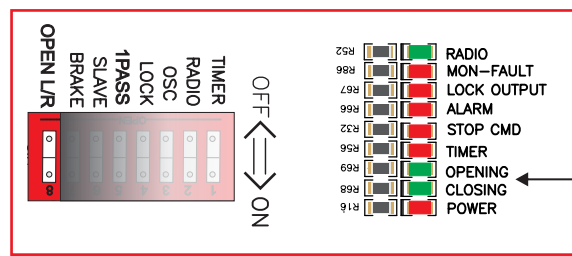
After locating the limit switches and identifying which one is open and close, follow the steps below to adjust the gate travel:

1. Turn the power OFF on the gate operator.
2. Use an allen wrench to loosen up the limit cams. Turn the limit cams in the desired direction.
3. Tighten the allen screw.
4. Turn the power ON on the gate operator.
5. Run the gate operator.
6. Repeat the steps if more adjustment is needed.

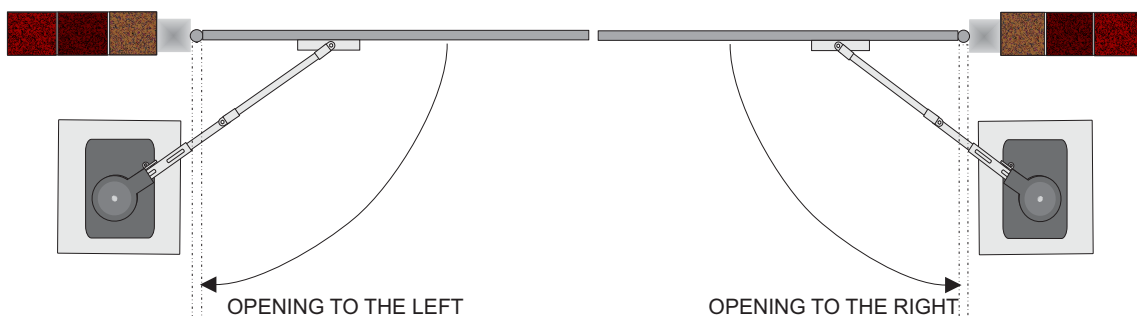
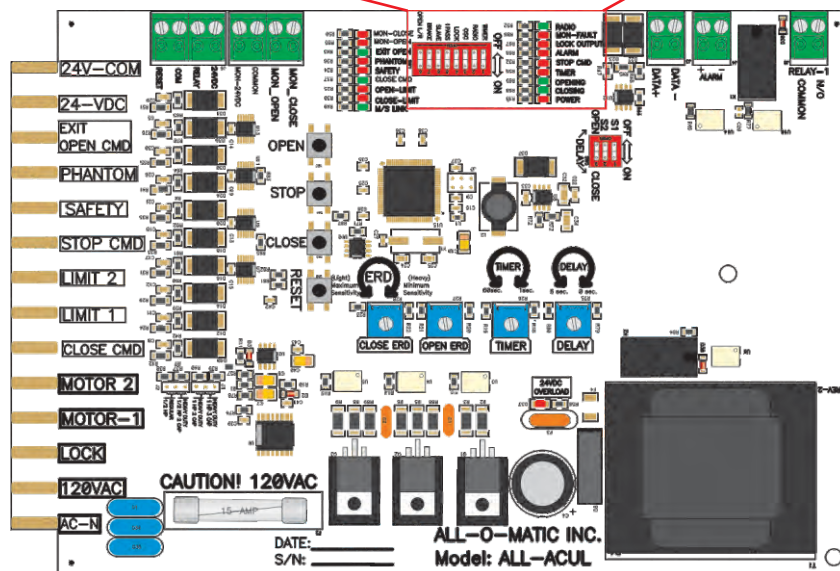


GATE OPENING DIRECTION SETTING

- Use OPEN L/R” dipswitch (#8) to change the opening direction of the operator.
- The direction of gate opening is determined from behind the gate operator.
- LEDs will show opening and closing direction when the gate is moving.
- OPEN L/R switch “OFF” is for left hand opening
- OPEN L/R switch “ON” is for right hand opening



LEDs WILL SHOW OPENING OR CLOSING DIRECTIONS WHEN THE GATE IS RUNNING

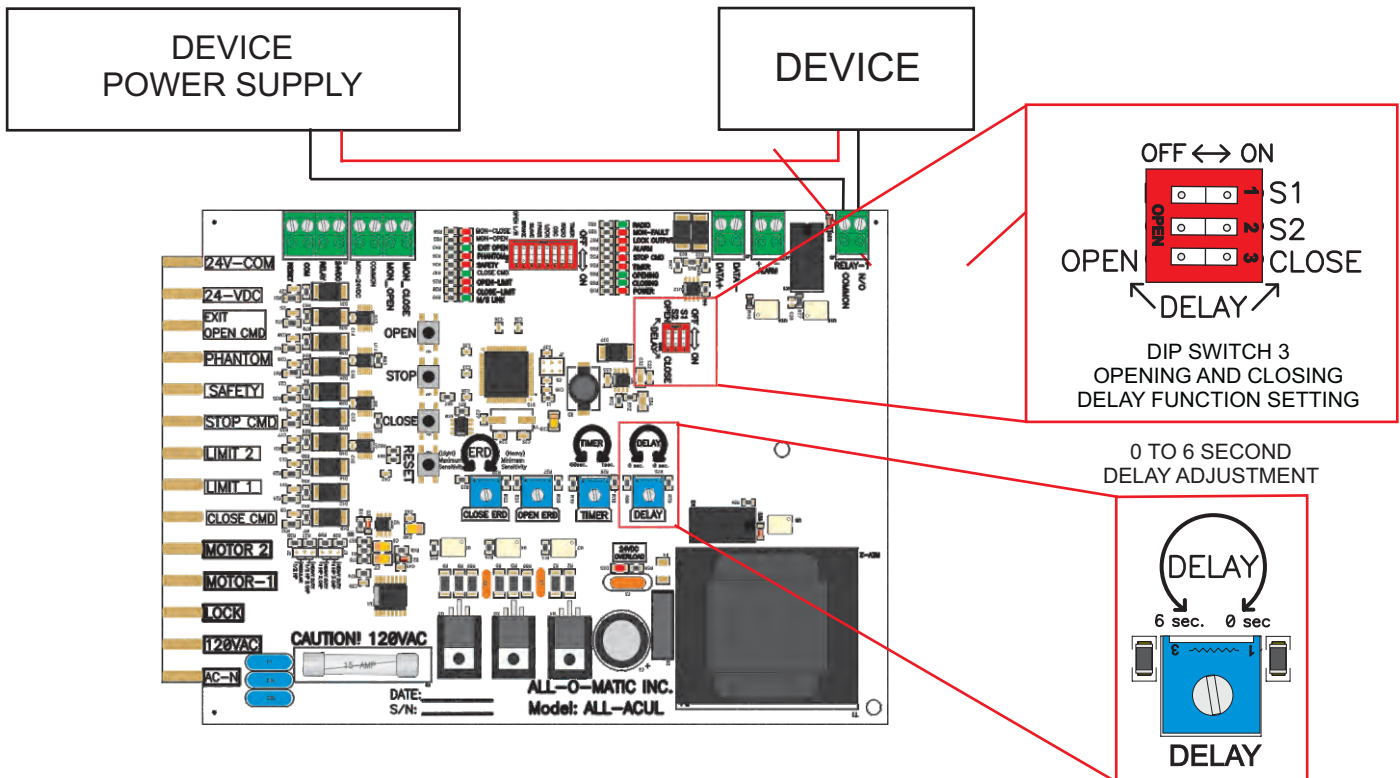


PROGRAMMABLE RELAY AND LEAF DELAY

Board model ALL-ACUL includes a programmable relay (N.O.) with four different configurations. See table below for switch settings. Use dipswitch #3 to determine the delay on the open or close and the "Leaf Delay" potentiometer to adjust the delay time from 0 to 6 seconds.

- (1) 1 second pulse for every open start cycle
- Typically used for a cycle counter
- (2) "ON" when the gate is in motion
- Typically used for an audible alarm or strobe light to warn when the gate is in motion
- (3) Alarm system output
- Activates the relay when the gate is forced open
- (4) "ON" when gate is not fully closed
- Typically used for an indicator

S1	S2	RELAY FUNCTION
OFF	OFF	ONE SECOND PULSE FOR EVERY OPEN START CYCLE
ON	OFF	ON WHEN GATE IS IN MOTION
OFF	ON	ALARM SYSTEM OUTPUT
ON	ON	ON WHEN GATE IS NOT FULLY CLOSED



TIMER ADJUSTMENT AND RADIO SETTING

TIMER ON: Automatic timer to close can be set from 1 to 60 seconds

TIMER OFF: Gate operation is “push button to open, push button to close”

RADIO ON: To override the timer and allow the radio receiver to close the gate before the timer



Turn potentiometer counter clockwise for more time

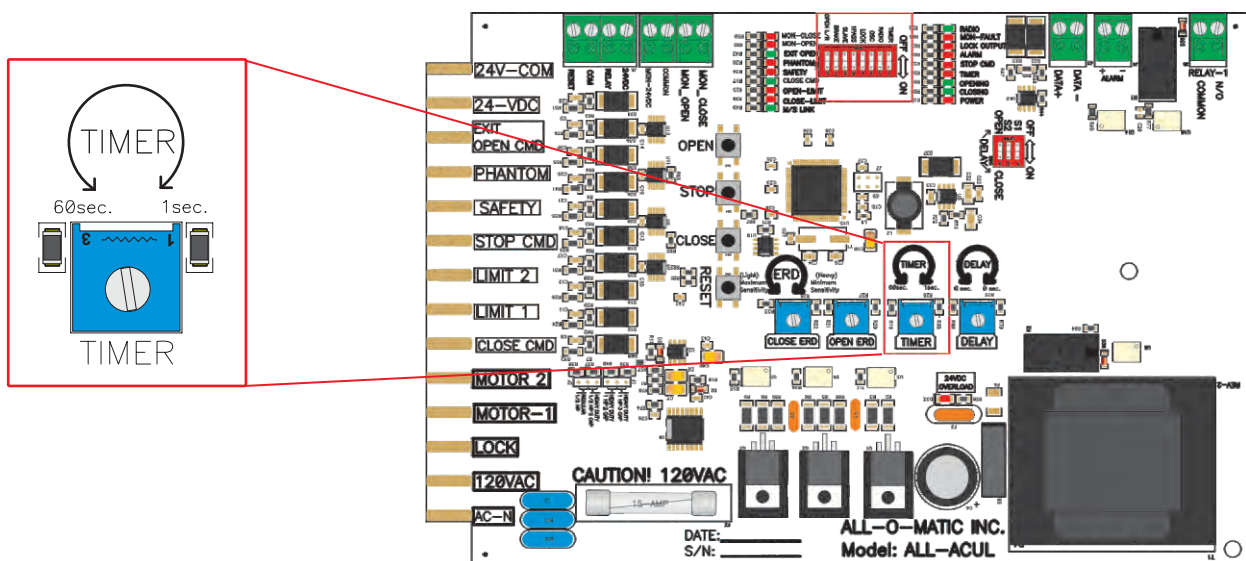
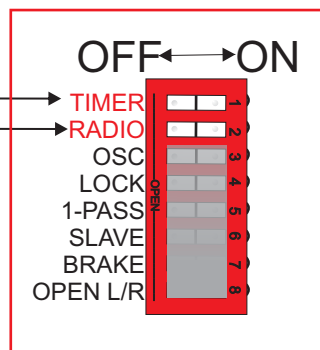


Turn potentiometer clockwise for less time

NOTE: If potentiometer is turned all the way counter clockwise, the timer is disabled and the gate WILL NOT close automatically.

TIMER “ON” TO
ACTIVATE THE TIMER

RADIO “ON” = ALLOWS THE
TRANSMITTER TO CLOSE
THE GATE BEFORE THE TIMER



DIP SWITCH FUNCTIONS

TIMER

TIMER switch “ON” activates the automatic close timer.

RADIO

RADIO switch “ON” allows the radio receiver to override the automatic close timer.

OSC

OSC switch “ON” allows the radio receiver to stop and reverse the gate in any direction. During a cycle, the first signal stops the gate. A second signal reverses the gate.

LOCK

LOCK switch “ON” is used when a mag lock is installed. “OFF” is used when a solenoid lock is installed or no lock is installed.

1-PASS

1-PASS switch “ON” allows the gate to open until one vehicle goes over the safety loop. Once the vehicle has cleared the loop, the gate will stop and close. If a second vehicle goes over the loop while the gate is closing, the gate will stop. The vehicle must get off of the loop before the gate continues to close, forcing the second vehicle to present valid credentials. This is a true one pass, anti-tailgating feature to be used with safety loops.

SLAVE

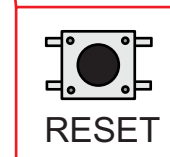
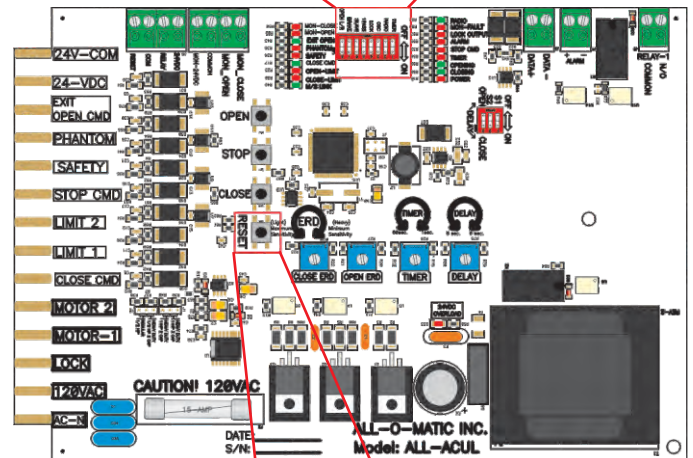
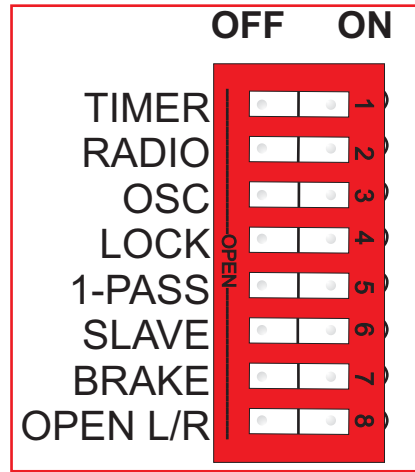
This feature is used in dual gate applications. The **SLAVE** switch will be “ON” only on the slave operator. All other dip switches will be “off”. **SLAVE** switch will be “OFF” on the master operator. Set desired dip switch settings on the master operator only.

BRAKE

BRAKE switch “ON” assists in stopping the gate at the moment of contact between the limit nut and limit switch. This function should only be used on uphill or downhill applications. A 20-amp fuse should be used when this switch is on.

OPEN L/R

OPEN L/R switch “ON” is used for right hand opening of the gate. The “OFF” position is used for left hand opening of the gate.



NOTE: IF ANY CHANGES ARE MADE TO THE DIPSWITCHES WITH THE POWER ON, PRESS THE **MAIN RESET** BUTTON TO RECOGNIZE THE CHANGE.

ELECTRONIC REVERSING DEVICE (ERD) ADJUSTMENT

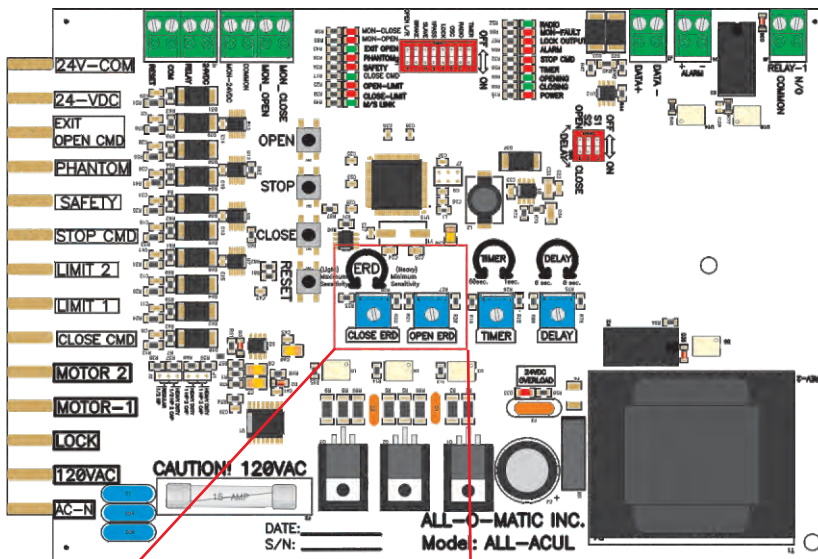
All AC boards are equipped with an Electronic Reversing Device (ERD), which will cause the gate to reverse direction when it comes into contact with an obstruction.

The amount of force required to reverse the gate's direction depends on the ERD sensitivity setting and motor rating. Make sure the ERD jumper is set to the correct pin setting (see chart below).

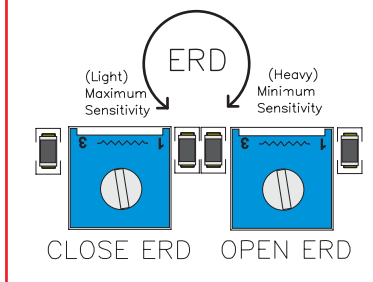
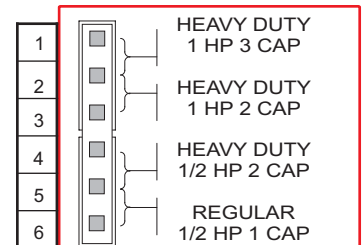
The ERDs must be adjusted for the operator to provide regular, reliable & safe operations. If the gate reverses direction on its own without hitting an obstruction, the ERD is too sensitive. If the gate does not reverse when it hits an obstruction, the ERD is not sensitive enough.

ERDs must be adjusted by a qualified technician.

The gate operator ERDs shall be tested and adjusted if necessary every six months.

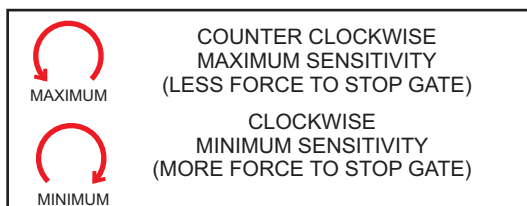


SET THESE PINS ACCORDING TO YOUR OPERATOR MODEL USING THE CHART BELOW:



OPEN AND CLOSE ERD SENSITIVITY

MOTOR RATING CHART			
MODEL	HP RATING	# OF CAPS	PIN #
SW-300	1/2	1	5-6
SW-350	1/2	2	4-5
SW-350	1	2	2-3

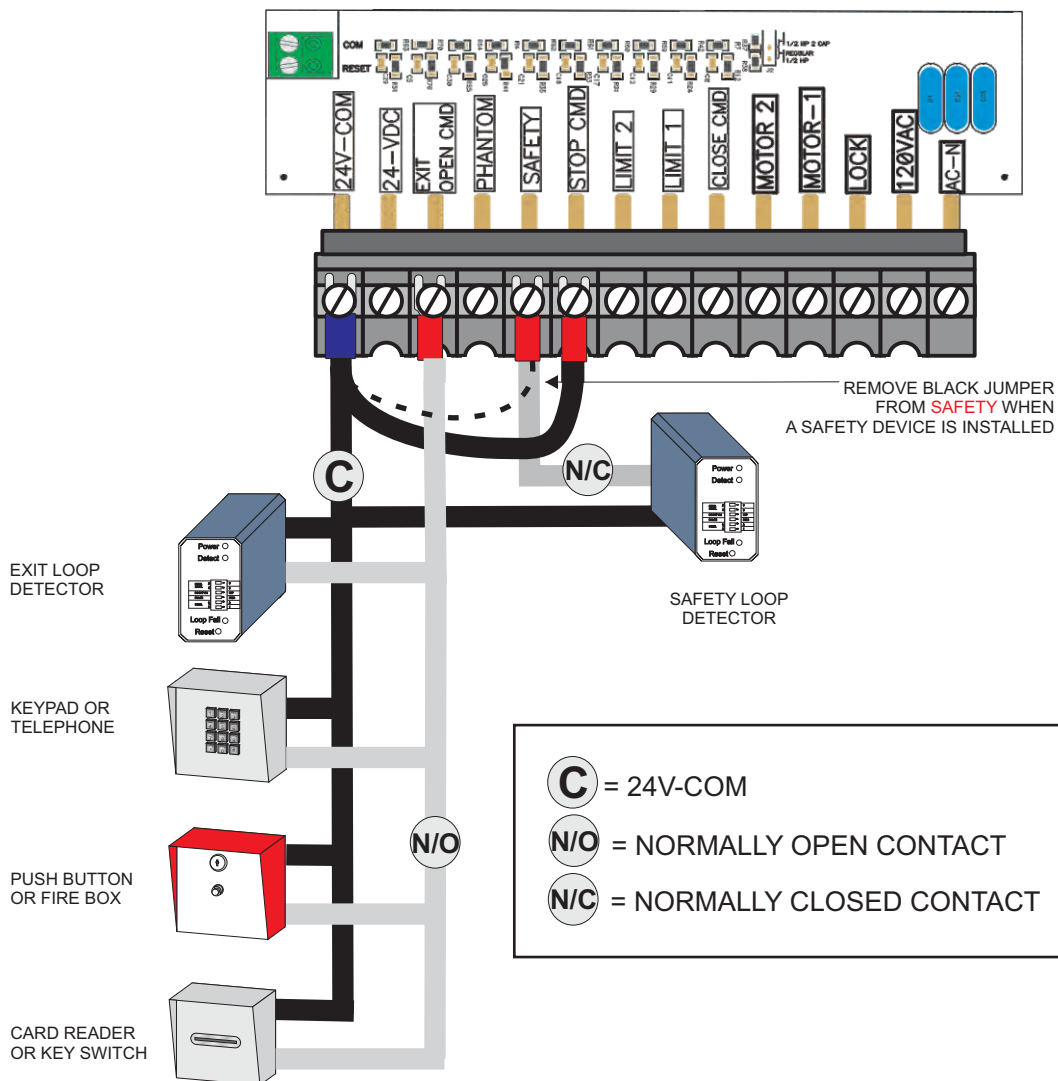


ACCESSORY CONNECTIONS

The circuit board has a 24 VDC terminal that provides up to 700 mAmps to power accessories such as loop detectors, keypads, etc. If the total current draw of your accessories exceeds the 700 mAmps, a separate power supply (transformer) is required.

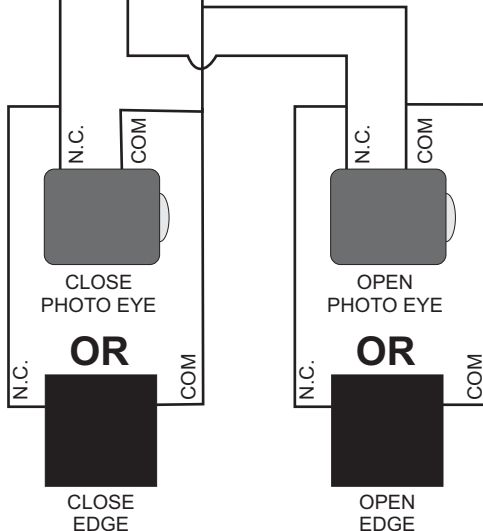
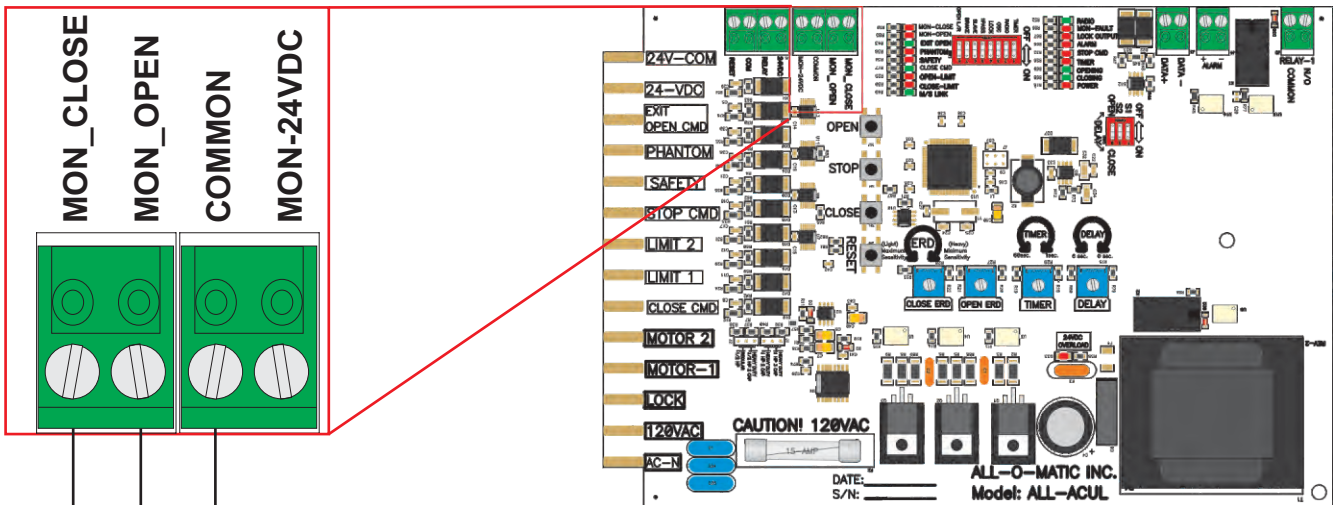
When installing a safety loop detector or pedestrian switch or a stop switch, make sure to REMOVE the black jumper between the 24V-COM and SAFETY and/or STOP_CMD terminals.

NO Contacts	NC Contacts
Exit Loop Detector	Safety Loop Detector
Keypad	Photo Eye
Telephone System	STOP_CMD
Push Button	
Card Reader	



MONITORED ENTRAPMENT PROTECTION DEVICE CONNECTION

- There are 2 types of sensors that can be connected to the gate operator for UL 325 monitored entrapment compliance: non-contact sensors (photo eye) and contact sensors (edge sensors).
- Monitored entrapment protection devices use 4 wires to connect to the board. From the device, connect the **RELAY COMMON** to the board **COMMON** and the **NORMALLY CLOSED** relay contact to the assigned **MON_OPEN** or **MON_CLOSE** input. Connect the power wires to the **COMMON** and **MON-24VDC**.
- **IMPORTANT:** You must use the MON-24VDC to properly monitor entrapment protection devices. Do not use the 24 VDC terminal on the board's terminal strip. To turn this voltage for initial setup, press the reset button on the board.
- **NOTE:** The power to the **MON-24VDC** terminal will be off when the gate is at rest (not moving). It will be normal to see the **MON_OPEN** and **MON_CLOSE** LEDs when the gate is closed. If the auto close timer is **OFF** it will do the same when the gate is at rest in the open position. Also, if no devices are connected both of these lights will stay ON.
- Please refer to the device manufacturer wiring instructions for details, making sure to follow the normally closed wiring directions. Some devices may work on monitoring interfaces other than normally closed.
- Should there be a need for more than 1 entrapment protection device for each direction, use a multi-input module from Miller Edge (model: MIM-62).



MON_CLOSE (LED will indicate when an obstruction is detected or device is not present)

This input is only for the monitored entrapment protection device for the close direction. When the gate is closing, it will open to the full open position if an obstruction is sensed and resets the automatic close timer. This input does nothing in the opening direction. If a device is not connected or it senses a fault (MON_FAULT LED will turn on), the operator will only work with a constant pressure actuated switch.

MON_OPEN (LED will indicate when an obstruction is detected or device is not present)

This input is only for the monitored entrapment protection device for the open direction. When the gate is opening, it will reverse for 2 seconds and stop if it senses an obstruction. This input does nothing in the closing direction. Upon power up, if a device is not detected, the operator will assume that one is not required for the opening direction. If a device is connected and the board detects a fault (MON_FAULT LED will turn on), the operator will only work with a constant pressure actuated switch.

MONITORED ENTRAPMENT PROTECTION DEVICE CONNECTION

ENFORCER E-960-D90GQ/ E-931-S33RRGQ / E-931-S50RRGQ	
CONTACT	BOARD TERMINAL
N.C.	MON_CLOSE OR MON_OPEN
COM	COMMON
12-30 VDC/AC	COMMON
12-30 VDC/AC	MON_12/24VDC

ENFORCER E-936-S45RRGQ	
WIRE	BOARD TERMINAL
BLACK	MON_CLOSE OR MON_OPEN
WHITE	COMMON
BLUE	COMMON
BROWN	MON_12/24VDC

ALLEN BRADLEY GRU-24	
WIRE	BOARD TERMINAL
BLACK	MON_CLOSE OR MON_OPEN
ORANGE	COMMON
BLUE	COMMON
BROWN	MON_12/24VDC

OMRON E3K-R10K4-NR		
SWITCH	CONTACT	BOARD TERMINAL
LIGHT ON	N.O.1	MON_CLOSE OR MON_OPEN
	COM	COMMON
	24 TO 240 VAC	COMMON
	24 TO 240 VAC	MON_12/24VDC

EMX IRB-RET / IRB-MON		
SWITCH	CONTACT	BOARD TERMINAL
SW1 - OFF	N.C.	MON_CLOSE OR MON_OPEN
SW2 - OFF	COM	COMMON
SW3 - OFF	POWER/ VRX	COMMON
SW4 - ON	POWER/ VRX	MON_12/24VDC

EMX IRB-325	
CONTACT	BOARD TERMINAL
N.C.	MON_CLOSE OR MON_OPEN
COM	COMMON
POWER	COMMON
POWER	MON_12/24VDC

EMX NIR-50	
WIRE	BOARD TERMINAL
BLACK	MON_CLOSE OR MON_OPEN
WHITE	COMMON
BLUE	COMMON
BROWN	MON_12/24VDC

TRANSMITTER SOLUTIONS R50R-UL/R32P-UL/SR33HD/SR66HD	
CONTACT	BOARD TERMINAL
N.C. (3)	MON_CLOSE OR MON_OPEN
COM (5)	COMMON
NON POLARITY (1)	COMMON
12-30 VDC/AC (2)	MON_12/24VDC

MILLER EDGE REFLECTI-GUARD/RG-K	
CONTACT	BOARD TERMINAL
TB 2 - N.C.	MON_CLOSE OR MON_OPEN
TB 2 - COM	COMMON
TB 1 - POWER IN (-)	COMMON
TB 1 - POWER IN (+)	MON_12/24VDC

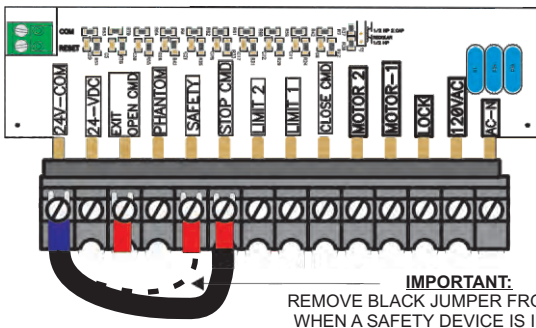
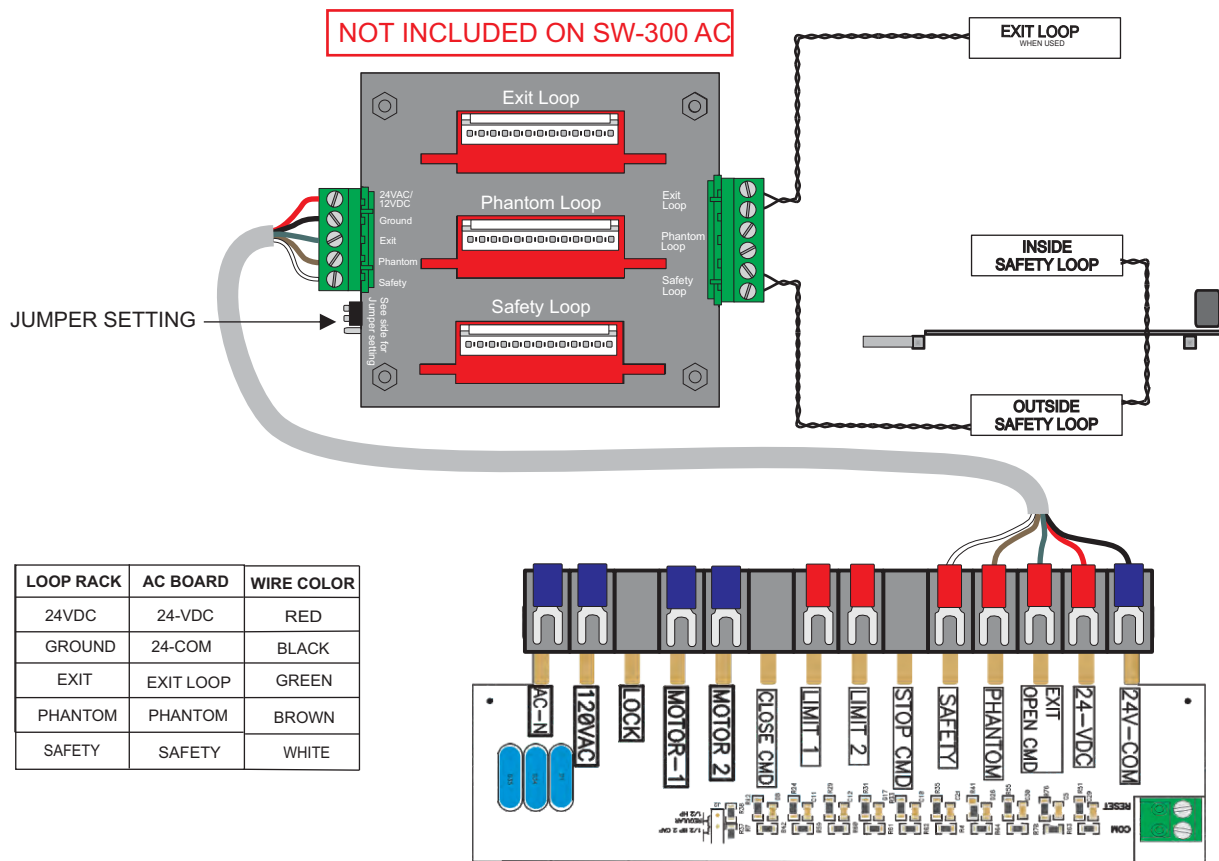
TRANSMITTER SOLUTIONS IGAZE RE KIT		
SWITCH	CONTACT	BOARD TERMINAL
ALL OFF	N.C.1	MON_CLOSE OR MON_OPEN
	COM	COMMON
	(-) 12/24 VDC	COMMON
	(+) 12/24 VDC	MON_12/24VDC

EMX WEL-200	
CONTACT	BOARD TERMINAL
RELAY CLOSE (NC) RELAY OPEN (NC)	MON_CLOSE MON_OPEN
RELAY CLOSE (COM) RELAY OPEN (COM)	COMMON COMMON
POWER	COMMON
POWER	MON_12/24VDC

MILLER EDGE RBAND MINIMUM 6 WIRES REQUIRED		
SWITCH	CONTACT	BOARD TERMINAL
SW 1 - ON	CS 1 CS 2	MON_CLOSE MON_OPEN
SW 2 - OFF	CS 1 CS 2	COMMON COMMON
SW 3 - ON	COM.A TEST	COMMON MON_12/24VDC
SW 4 - ON	12/24 (+) AC/DC	24-VDC GROUND

LOOP RACK INSTALLATION

- The SW-350 model comes equipped with the pre-wired LPR-1 loop rack for safety, center/phantom and exit plug in loop detectors, making installation quick and efficient.
- Hardwired loop detectors with harnesses can also be installed. The circuit board has 24 VDC and 120 VAC terminals to power the detector of your choice. See “Accessory Connections” page for wiring instructions.
- Wire one or more safety devices **in series** with the loop rack wires. To do this, remove the white wire (**N.C**) from the loop rack off of the SAFETY terminal on the circuit board and wire nut to the COM of the additional device. Connect the N.C. contact of the additional device to the SAFETY terminal of the board.
- **IMPORTANT:** Use different frequencies for each loop detector to eliminate interference.

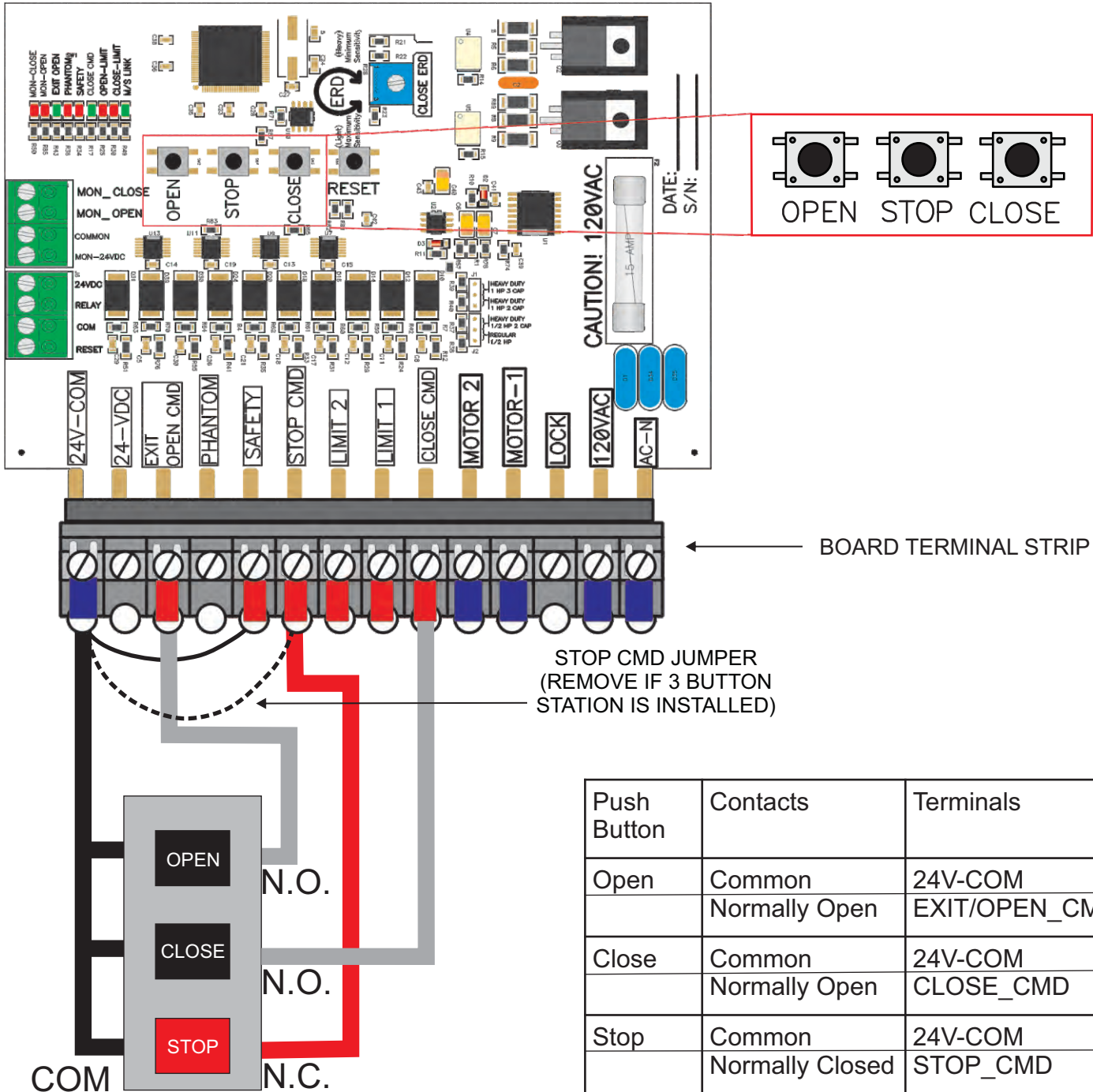


COMPATIBLE PLUG IN DETECTORS

BRAND	MODEL	JUMPER SETTING
RENO A&E	H2	<input type="checkbox"/> OFF
EDI	LMA-1800	<input type="checkbox"/> OFF
DIABLO	DSP-40S	<input type="checkbox"/> ON
DIABLO	DSP-55	<input type="checkbox"/> OFF
DIABLO	DSP-50	<input type="checkbox"/> OFF
NORTHSTAR	NP2-ES	<input type="checkbox"/> ON

THREE BUTTON STATION CONNECTION

- A three button station and reset push button are integrated on the board to make limit and ERD adjustments easier.
- An external three button station may also be installed. See diagram below for wiring instructions,
- **NOTE:** STOP CMD jumper must be removed if a three button station is installed.



MASTER/SLAVE CONNECTION

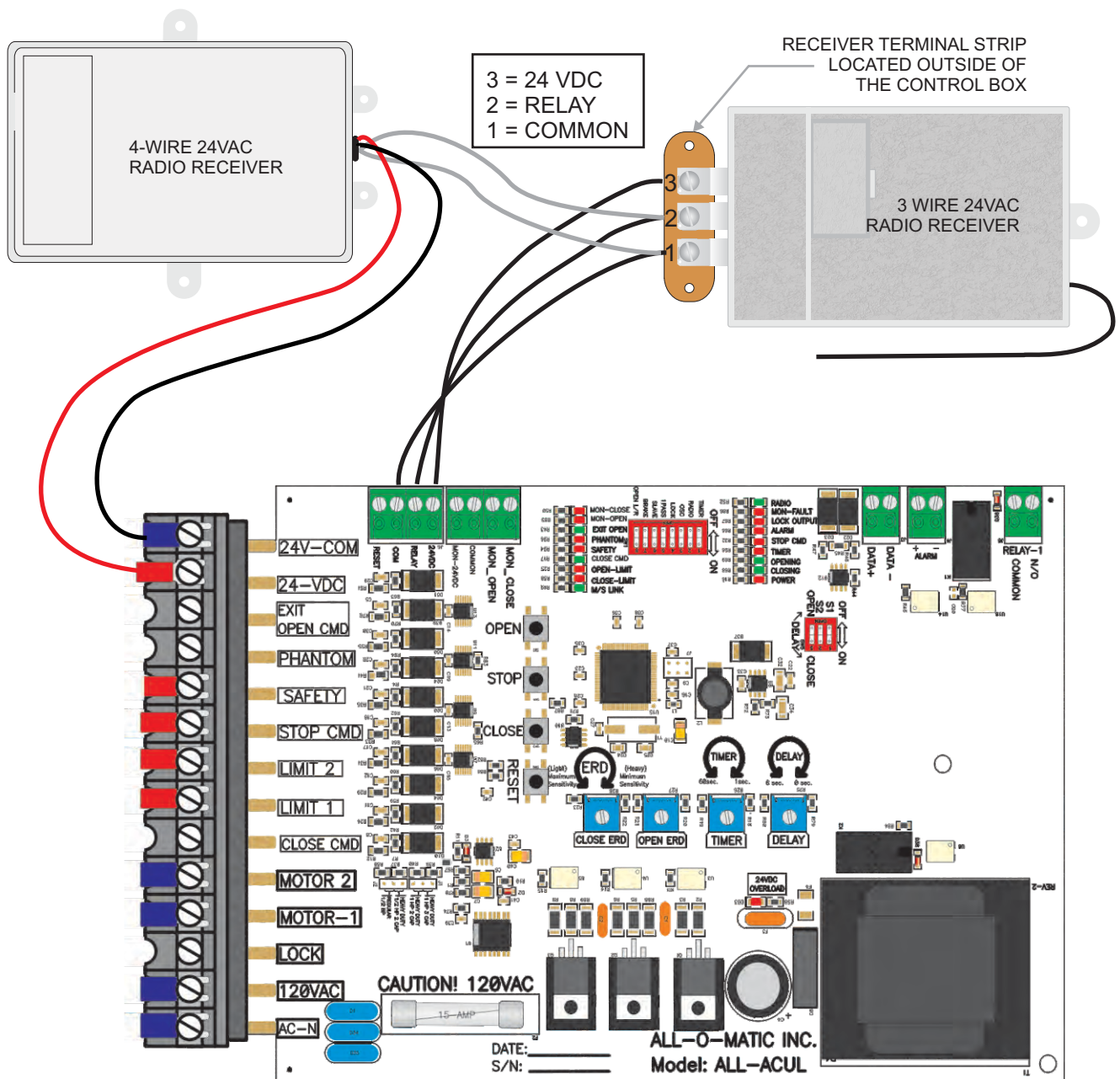
RADIO RECEIVER CONNECTION

There are two types of receivers: 3-wire and 4-wire:

3 wire receivers can mount on the radio receiver terminal strip located outside of the control box.

For 4 wire receivers, connect the 2 gray wires to terminals 1 and 2 on the receiver terminal strip located outside of the control box. Connect the black wire to the 24V-COM and the red wire to the 24 VDC on the board terminal strip as shown below.

RADIO dip switch ON allows the radio receiver to override the automatic close timer.



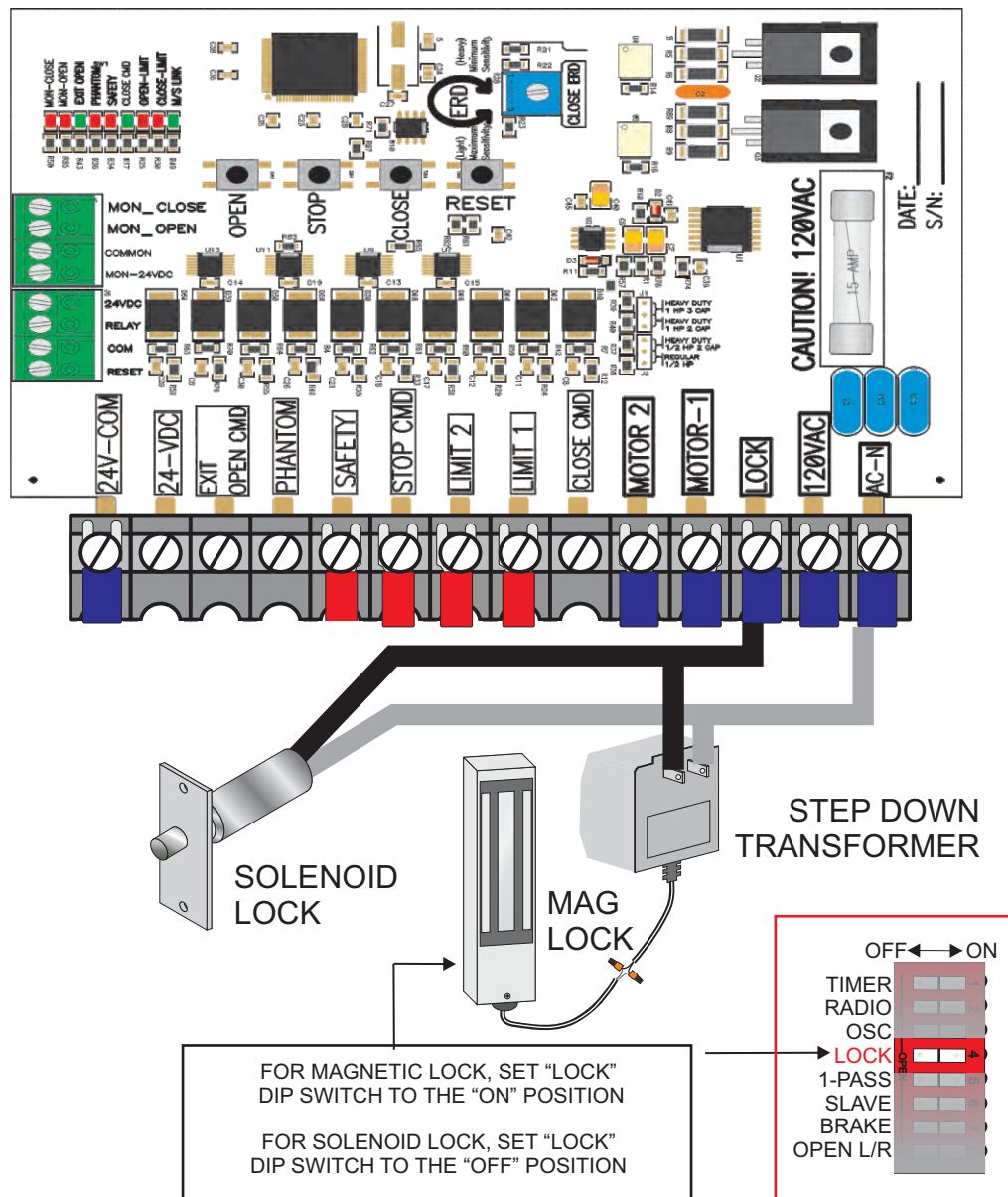
MAGNETIC/SOLENOID LOCK CONNECTION

A magnetic lock installation requires a step down transformer with appropriate voltage specific to the lock accessory and two wires.

When using a magnetic lock, the LOCK dip switch (#4) must be turned ON. The "LOCK OUTPUT" LED will turn on to show the lock is magnetized.

When using a solenoid lock, the LOCK dip switch (#4) must be turned OFF.

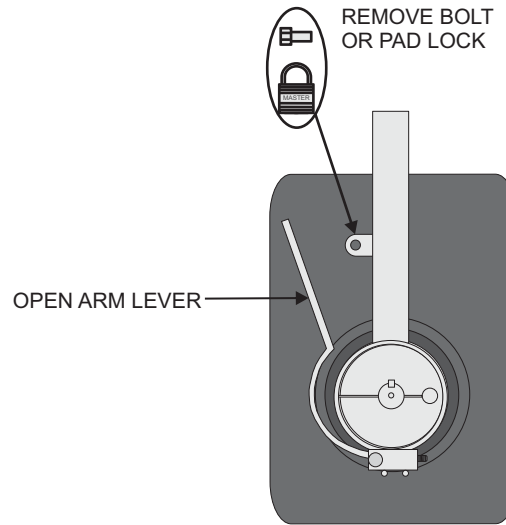
AC-N and **LOCK** from the board terminal strip supply 120 VAC to power the transformer and control the lock. Connect low voltage wires from the transformer directly to the lock, as shown below.



EMERGENCY RELEASE INSTRUCTIONS

Procedures to manually open the SW-300 AC:

1. Remove the bolt or pad lock from the arm lever and open the lever fully.
2. Opening the arm lever will allow you to manually open and close the gate.



Procedures to manually open the SW-350 AC:

1. Turn operator power "OFF"
2. Push foot pedal down and move to the left to lock pedal in down position
3. Push gate open



WARRANTY AND RECORD

MANUFACTURER'S LIMITED WARRANTY

ALL-O-MATIC INC warrants the following gate operators (SW-300 AC and SW-350 AC) for a period of five (5) years in commercial installations and for a period of seven (7) years in residential installations. The above operators, within their warranty period, are to be free from defects in circuitry, motor, gearbox and workmanship. This warranty begins from the date of purchase to the original owner. Warrantor will repair or, at its option, replace any device which it finds to require service. This device must be sent to the warrantor at the consumer's expense to:

**ALL-O-MATIC INC.
7820 GLORIA AVE.
VAN NUYS, CA 91406**

The warrantor will return the repaired or replaced unit to the customer at the consumer's expense. Labor charges for dealer service or replacement are the responsibility of the owner. These warranties are in lieu of all other warranties either expressed or implied, and ALL-O-MATIC INC shall not be liable for consequential damage. All implied warranties of merchantability and or fitness for a particular purpose are hereby disclaimed and excluded. This limitation is not valid in jurisdictions which do not allow limitation of incidental or consequential damages or limitation of warranty periods. In order to obtain this policy, please complete the registration card and send it by mail within 30 days of purchasing from ALL-O-MATIC INC. or your installer. If the product is not registered, only a one year warranty on all parts will be provided.

CUSTOMER RECORD

Customer Name _____

Address _____

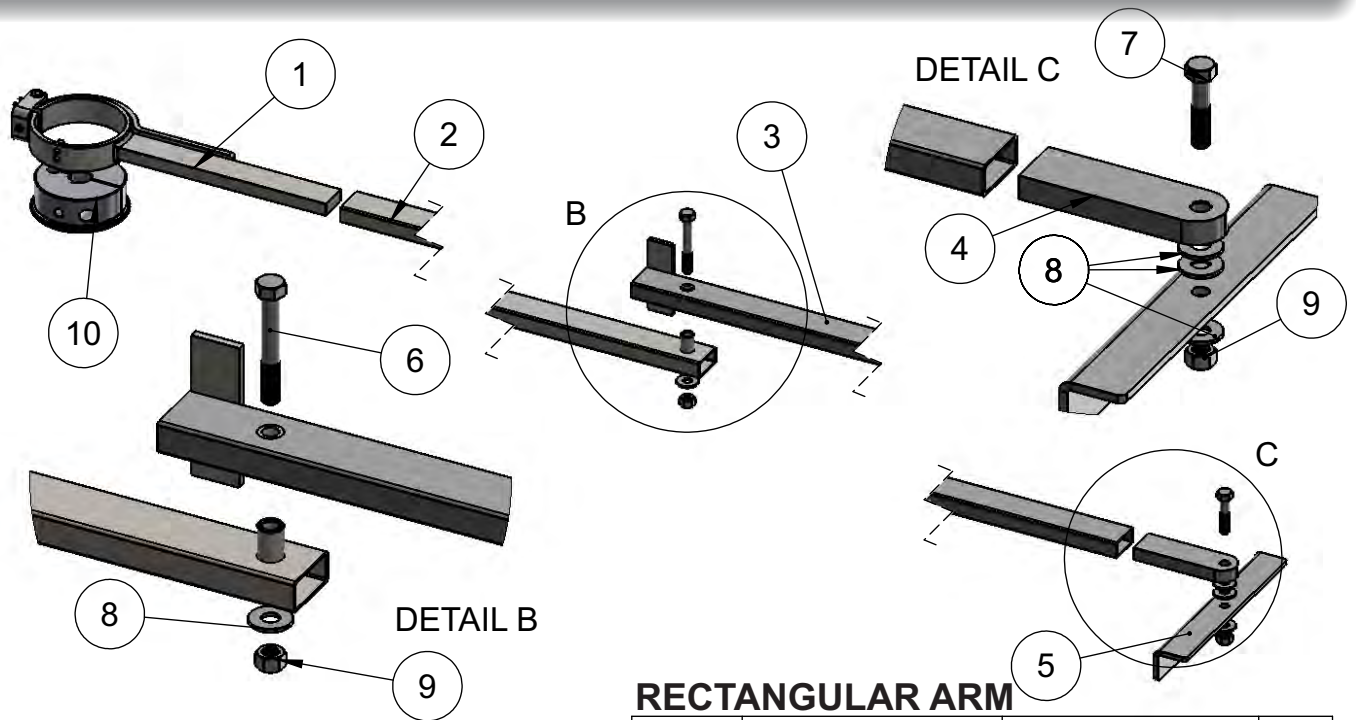
Purchased from (Installation Co.) _____

Date _____

Model Number _____

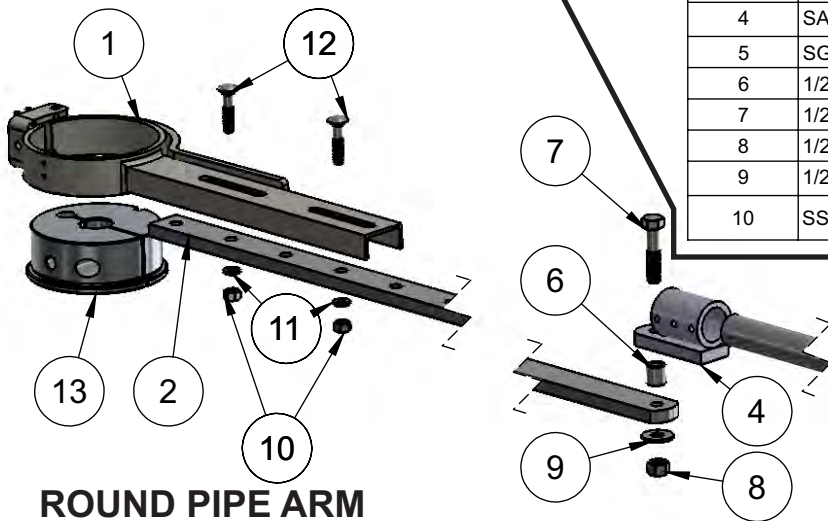
Serial Number _____ - _____

SWINGER ARM ASSEMBLY



RECTANGULAR ARM

ITEM NO.	PART NUMBER	DESCRIPTION	QTY.
1	QRA-300RR	SW Quick Release Arm	1
2	SPA-300RR	SW Primary Arm	1
3	SSA-300RR	SW Secondary Arm	1
4	SAB-300RR	SW Arm Connecting Bar	1
5	SGB-300RR	SW Arm Gate Bracket	1
6	1/2-13 X 3.5 Hex Bolt	Hex Pivot Bolt	1
7	1/2-13x2.25 Hex Bolt	Hex Pivot Bolt	1
8	1/2 Flat Washer	Flat Washer	4
9	1/2-13 Hex Nylon Lock Nut	Nylon Lock Nut	2
10	SSH-300RR	SW Shaft Hub	1



ROUND PIPE ARM

ITEM NO.	PART NUMBER	DESCRIPTION	QTY.
1	QRA-RD300	SW Quick Release Arm	1
2	SPA-RD300	SW Primary Arm	1
3	SSA-RD300	SW Secondary Pipe Arm	1
4	SKN-RD300	SW Arm Connecting Knuckle	2
5	SGB-RD300	SW Arm Gate Bracket	1
6	SAB-RD300	SW Arm Spacer bushing	1
7	1/2-13 X 2.25 Hex bolt	Hex Bolt (Pivot bolt)	2
8	1/2-13 hex Nylon lock nut	Nylon Hex Nut	2
9	1/2" Flat Washer	Flat Washer	2
10	3/8-16 Hex Nut	Hex Nut	2
11	3/8 Split Lock Washer	Split Lock Washer	2
12	3/8-16 X 1.75 Carriage Bolt	Carriage BOLT	2
13	SSH-300RR	SW Shaft Hub	1

