

MIFARE CARD READER

1815-600

mullion style card reader

DoorKing Part Numbers

1815-601

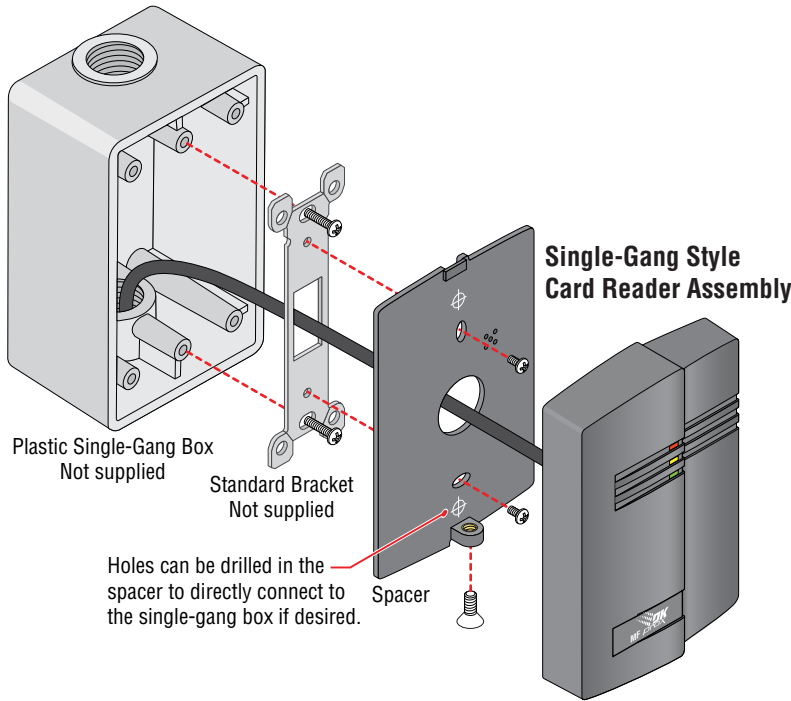
single-gang style card reader

DoorKing's Mifare Card Reader is designed to manage an access point using wiegand communication. It uses Mifare proprietary software. The readers are sealed in epoxy, making them vandal-resistant and are ideal for both indoor and outdoor applications.

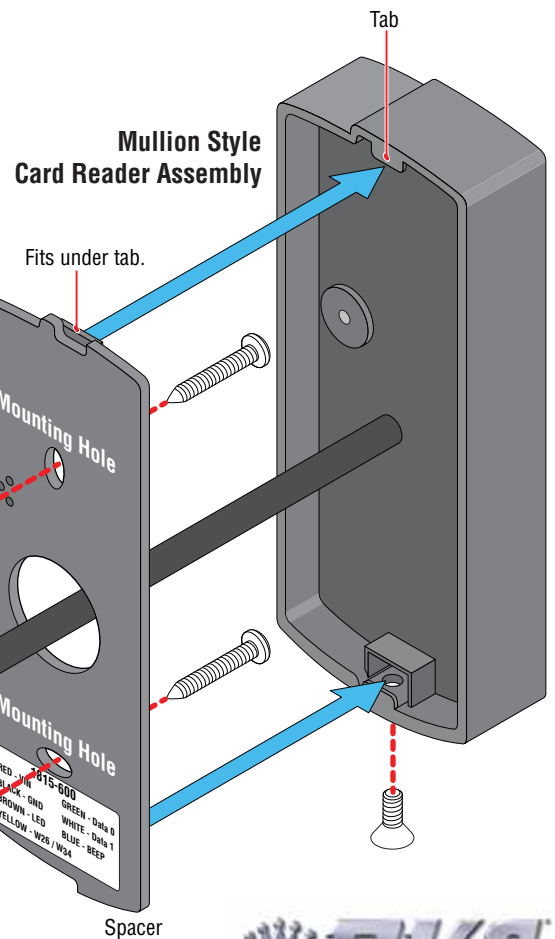
Installation

Mount the card reader using the hardware provided as shown in the diagrams below. Mount the spacer first, then mount the card reader. **Read range will be reduced if the reader is installed on metal surfaces.** Read range can also be affected by RF interference from power supplies, electrical and electronic equipment, some types of lighting, computers and monitors, motors and generators.

DO NOT mount the card reader to a moving gate, or immediately next to a gate panel or pedestrian gate. Continuous vibration from slamming gates and vibration can cause damage to the system over time. **WARNING!** If the card reader is used to activate a vehicular gate operator, it must be mounted a minimum of **6 feet away** from the gate and gate operator, or in such a way that the user cannot come into contact with the gate or gate operator while using the card reader.



12 VDC power **must** be available at the card reader (long cable runs have a voltage drop due to the resistance in the cable). A larger wire gauge (having less resistance) or a separate UL listed power supply near the card reader may be required to ensure that 12 VDC power is available at the card reader or problems may occur.



Sleeve anchors to secure to surface.
Avoid mounting on metal surfaces.

Current Draw:
150 mAmps

Read Range:
2-4 inches (5-10 cm)

Wire Descriptions

- Red - Vin (+12VDC)
- Black - Ground
- Green - Data 0
- White - Data 1
- Brown - LED
- Blue - Beeper
- Yellow - Not Used

Electromagnetic Interference (EMI):
Shielding is used to reduce the effects of EMI.
It should be properly grounded.



120 S. Glasgow Avenue
Inglewood, California 90301 U.S.A.