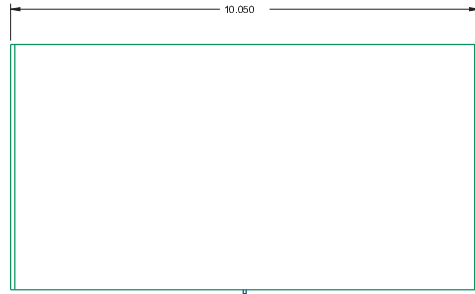
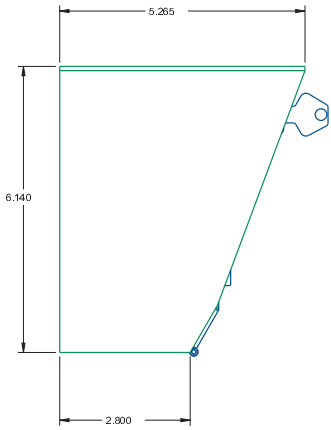


NOTES:
1. FOR REFERENCE AND MARKETING PURPOSES ONLY, NOT INTENDED FOR MANUFACTURING.

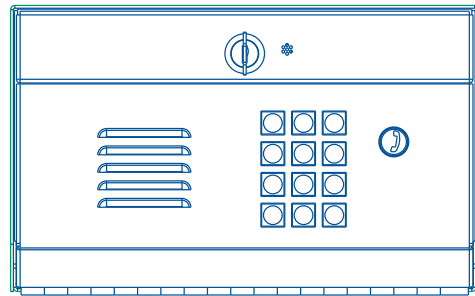
NUMBER:	EL_ISS_ARCHITECT	SHR 1 of 1	1.3
END DATE:	BY:	REVISIONS:	REV:
28AUG08	EC	INITIAL RELEASE	A



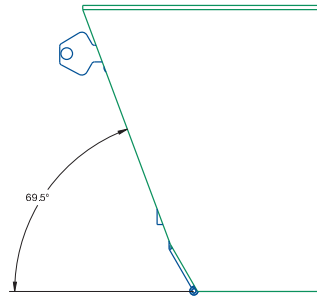
TOP



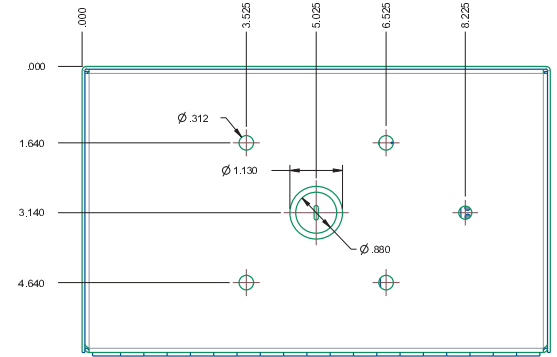
LEFT



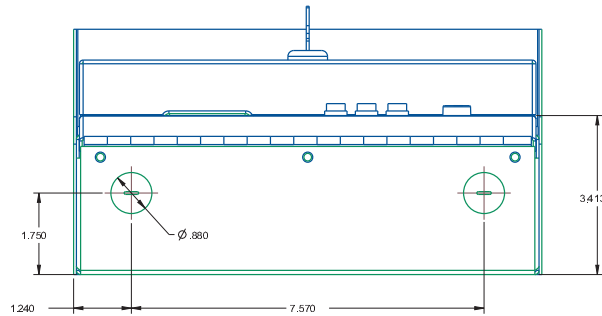
FRONT



RIGHT



REAR



BOTTOM

FOR REFERENCE ONLY

CONFIDENTIAL		SYMBOLICAL PROFILES CONTROL LEVELS		INTERPRET ALL DIMENSIONS AND TOLERANCES PER ASME Y14.5-2009				CHAMBERLAIN GROUP	
NO. OF	BY	NO. OF	BY	NO.	BY	NO.	BY	NO.	BY
CHG	CHG	CHG	CHG	CHG	CHG	CHG	CHG	CHG	CHG
1	ELISS	1	ELISS	1	ELISS	1	ELISS	1	ELISS
1	ELISS	1	ELISS	1	ELISS	1	ELISS	1	ELISS
1	ELISS	1	ELISS	1	ELISS	1	ELISS	1	ELISS
MATERIAL: N/A		FINISH: NONE		DRAWN BY: eliss_architectdw		SCALE: 0.75		NUMBER: ELISS_ARCHITECT	
DATE: 28-Aug-10		TIME: 10:10:10		PROJECT: 28-Aug-10		SHEET: 1 of 1		VERSION: 1.3	