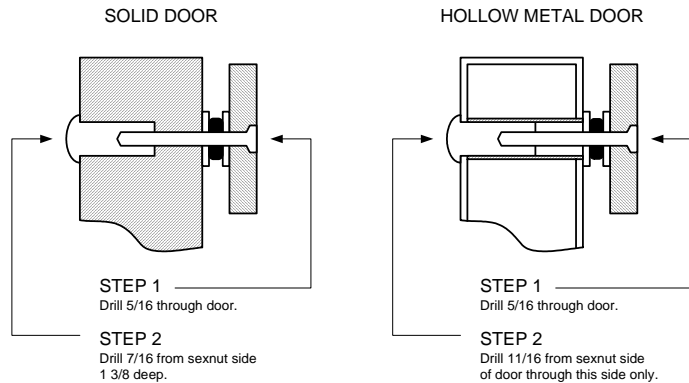




Magnetic Lock (DKML-S12-1, DKML-S12-1L, DKML-S12-1LT) Mounting and Wiring Instructions

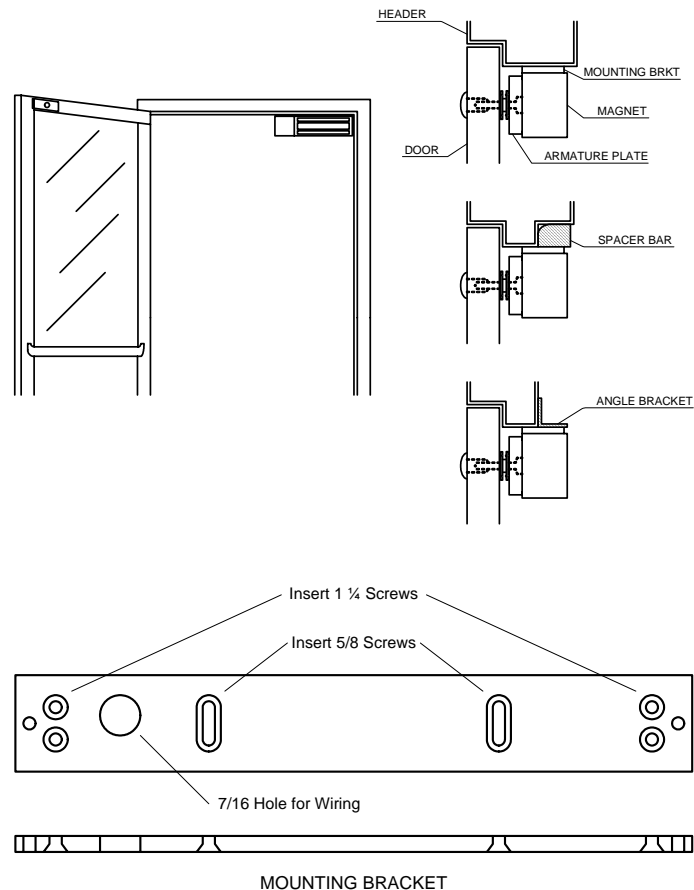
Armature Plate Mounting

1. Follow the instructions on the supplied template to mount the armature plate to a **hollow metal frame door**. Use the supplied aluminum spacer as shown at right. The armature plate mounts to the door using 1 rubber washer between 2 steel washers as shown.
2. If mounting the armature plate to a **solid wood door**, follow the drilling instructions for this type door as shown at the right.
3. Remember to insert the guide pins on each side of the armature plate.



Magnetic Lock Mounting

1. Remove the mounting bracket from the magnetic lock.
2. Using the supplied template, drill two 1/8 inch holes (4 1/2 O.C.) and install the mounting plate using two 5/8-inch flathead screws. Note the type of doorframe header and install spacer bar or angle bracket as required to provide a flat surface (see illustrations).
3. Adjust the mounting plate so that it and the armature plate form a right angle to each other.
4. Use the mounting plate as a template and drill the wire hole.
5. Install four 1 1/4-inch flathead screws through the mounting plate into the header.
6. Route wiring through the mounting plate and install the lock using the screws removed in step 1.



IMPORTANT! – Magnetic locks must be supplied with DC power for proper operation. Use only a UL listed (or equivalent) DC power transformer that supplies the proper voltage and amperage.

- P/N 1812-035 – 24-Volt DC power transformer. .5 amp maximum power output.
- P/N 1812-037 – 12-Volt DC power transformer. 1 amp maximum power output.

12 VDC POWER

- Requires .5-amp power.
- Connect 12 Volt DC POSITIVE to terminal 1.
- Connect 12 Volt DC NEGATIVE to terminal 2.
- **Be sure power select jumpers are set for 12 VDC operation.**

24 VDC POWER

- Requires .25-amp power.
- Connect 24 Volt DC POSITIVE to terminal 1.
- Connect 24 Volt DC NEGATIVE to terminal 2.
- **Be sure power select jumpers are set for 24 VDC operation.**

Lock Status LED and Relay (DKML-S12-1L and DKML-S12-1LT only)

- LOCKED CONDITION - LED glows green and relay activates.
- UNSECURE CONDITION – LED glows red and relay is deactivated.
- Relay contacts are rated for **1 amp at 24 VDC maximum**. Do not exceed this rating.

Timer (DKML-S12-1LT only)

- Adjustable from 0-90 seconds.

