

# **Strong Arm™ (M30/M50)**

**Ultimate Hardened Security**  
**Unmatched User Safety**



 **HySecurity®**  
a **Nice** group company

# Ultimate Hardened Security



**StrongArm M30** Crash certified to ASTM F2656-07 M30-P1\* stops a 15,000 lb (6.8 metric tons) truck traveling 30 mph (48 km/h). Penetrated less than 1 meter.



**StrongArm M50** Crash certified to ASTM F2656-07 M50-P2\* stops a 15,000 lb (6.8 metric tons) truck traveling 50 mph (80 km/h). Penetrated less than 1.2 meters.



**StrongArm M30 NP/M50 NP** (No-power) models defend high security sites that do not have power.



**International certification models (CE) available**



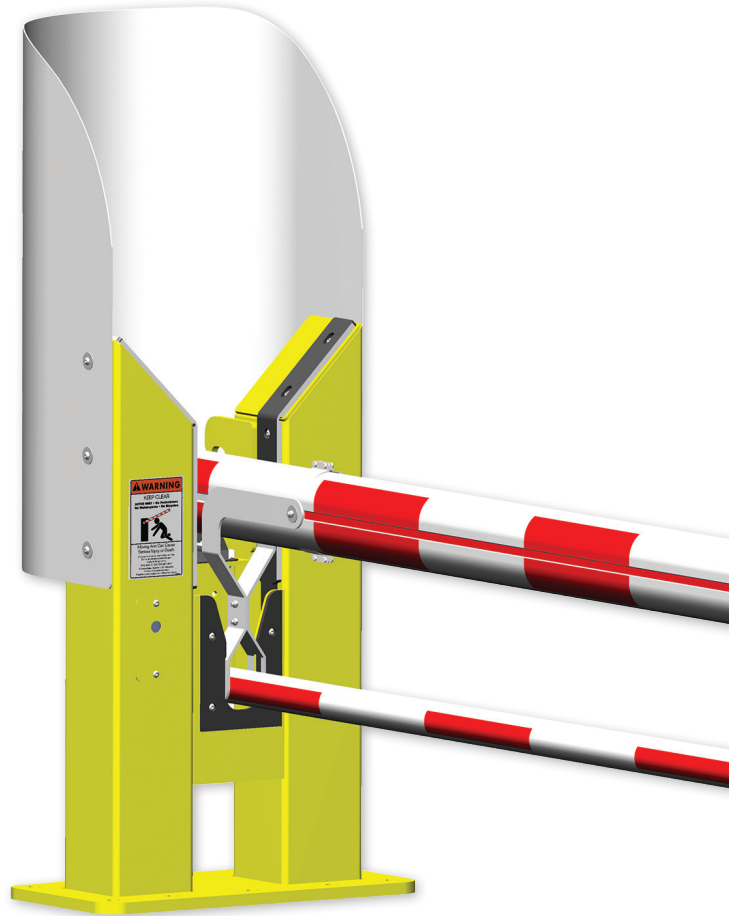
**UPS Backup option – AC Power Supply with HyInverter AC\*\***



**Patented dual arm design** prevents a large truck or a small passenger vehicle from breaching the security perimeter.



**Real time system security alerts**



M50 with standard galvanized finish



M50 with custom color

# Crash Tested Barriers



**Fast arm speed, 6-8 seconds,** reduces traffic backup by minimizing gate open time.



**Full 90° opening prevents tall vehicles from clipping arm**



**Field programmable to specific site requirements**



**Monitored photo eye stops arm when obstructed for enhanced safety**



**Shallow M30 mount 24 inch foundation depth** reduces installation time and worries about utilities, water table, and other site concerns.



**Extreme temperature range**



**5-year warranty**



\* P1 rated for 12 ft clear opening

\*\*For 208/230VAC, single-phase AC operators



M30 with standard galvanized finish



M30 NP (no power)

# Specifications



StrongArm M30



StrongArm M50



StrongArm M30 NP



StrongArm M50 NP

## StrongArm® M30/M50 models

Model	StrongArm M30	StrongArm M50	StrongArm M30 NP	StrongArm M50 NP
Crash Certified	ASTM F2656-07 M30-P1*	ASTM F2656-07 M50-P2*	ASTM F2656-07 M30-P1*	ASTM F2656-07 M50-P2*
Duty Cycle	100 cycles/hr**, option for continuous duty		Manually operated	Manually operated
Horsepower	2 hp		—	—
Drive	Hydraulic		—	—
Open/Close Time	6 to 8 seconds depending on arm length		Open time: approx. 1 to 3 minutes depending on arm Close time: approx. 15 to 25 seconds depending on arm	
Emergency Fast Operate Time	5 to 7 seconds depending on arm length		—	
Clear Opening	12 to 24 ft in 2 ft increments (366 to 732 cm in 61 cm increments) Call for custom arm length		12 to 24 ft in 2 ft increments (366 to 732 cm in 61 cm increments) Call for custom arm length	
Full Open Angle	90°		Adjustable 88° ± 2°	
Ingress Protection	IP56		IP56	
Temperature Rating	-40° to 158° F (-40° to 70° C) or -10° to 158° F (-23° to 70° C) using biodegradable fluid		40° to 158° F (-40° to 70° C) or -10° to 158° F (-23° to 70° C) using biodegradable fluid	
1 Phase Power	208/230V, 60/50 Hz 20A		—	
3 Phase Power	208/230V, 60/50 Hz, 380/460V, 60/50 Hz		—	
Communication	RS-232, RS-485, Ethernet/fiber using optional HyNet™ Gateway accessory		—	
User Controls	Smart Touch Controller with 70+ configurable options. Smart Touch keypad and display or a PC using S.T.A.R.T. software.		—	
Relays	Three configurable user relays: one 30VDC, 3A solid state and two 250VAC, 10A electromechanical; Optional Hy8Relay™ for 8 additional relay outputs		—	
Finish	Hot dipped galvanized standard. Optional textured yellow powder coat over zinc plating.		Hot dipped galvanized standard. Optional textured yellow powder coat over zinc plating.	
Foundation	<b>Shallow mount:</b> 6 x 6 x 2 ft (183 x 183 x 61 cm), 4,000 psi concrete or (CO + 8 ft) x 6 x 1 ft ((CO +244 cm) x 183 x 30.5 cm), 5,000 psi concrete. <b>Deep mount:</b> 4 x 4 x 4 ft (122 x 122 x 122 cm) 4,000 psi concrete. #5 rebar, grade 60.	6 x 6 x 4 ft (183 x 183 x 122 cm) 4,000 psi concrete, #6 rebar, grade 60	<b>Shallow mount:</b> 6 x 6 x 2 ft (183 x 183 x 61 cm), 4,000 psi concrete or (CO + 8 ft) x 6 x 1 ft ((CO +244 cm) x 183 x 30.5 cm), 5,000 psi concrete. <b>Deep mount:</b> 4 x 4 x 4 ft (122 x 122 x 122 cm) 4,000 psi concrete. #5 rebar, grade 60.	6 x 6 x 4 ft (183 x 183 x 122 cm) 4,000 psi concrete, #6 rebar, grade 60
Electrical Certification	Control panel certified to UL 508A by ETL		—	
Warranty	5 year w/product registration		5 year w/product registration	

### UPS Battery Backup Power\*\*\*

AC Power Supply with HyInverter AC***	StrongArm M30 AC Power Supply with HyInverter AC	StrongArm M50 AC Power Supply with HyInverter AC	—
---------------------------------------	--	--	---

### Additional Model

CE Certification	StrongArm M30 CE	StrongArm M50 CE	—
------------------	------------------	------------------	---

\* P1 and P2 rated for 12 ft clear opening. StrongArm M50 received a P2 rating with penetration limited to 1.17 m. Contact HySecurity to receive a copy of the ASTM F2656-07 M30 or M50 Test Certification.

\*\* ExtremeCycle option available

\*\*\* 208/230VAC, single-phase AC operators only. See AC Power Supply with HyInverter AC for more information.

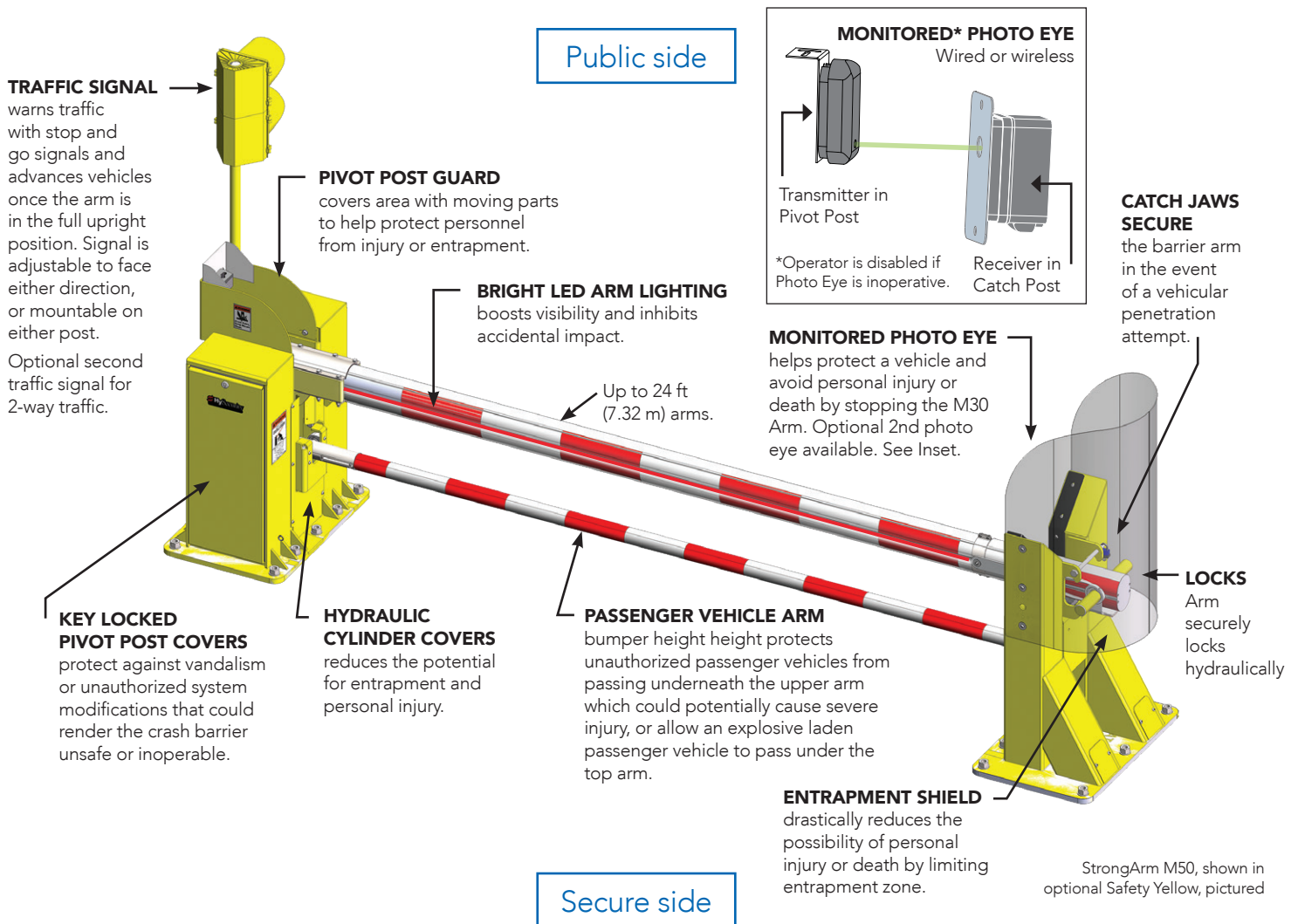
The operator's normal duty cycle and the actual number of arm cycles available from battery depends upon arm length/weight, battery size, state of charge and health, ambient temperature, accessory power draw and frequency of arm cycles during power outage

Patented dual arm design U.S. Pat. No. 9,822,501 B2

# Crucial User Safety & Security

## User Safety is not optional

Many user safety devices are standard equipment on the StrongArm M30 and M50, reducing possibility of injury and end user liability.



### ADDITIONAL SAFETY FEATURES

**BUZZER** Standard equipment in all HySecurity products, the WARN BEFORE BUZZER provides a loud 100dB audible beep in short continuous bursts 3 seconds prior to the barrier moving open or close and all the while the barrier arm is in motion.

**Hy5B** Using Hy5B vehicle detectors eliminates the possibility of loop crosstalk since each loop is assigned its own frequency range. False close signals due to crosstalk are never an issue.

### ADDITIONAL SECURITY FEATURES

**NO EXTERNAL LIMIT SWITCHES** or resetting the limits after power loss. The hydraulic cylinder incorporates magnetic sensors, alleviating the need for vulnerable external limit switches or recalibration.

**REMOTE OPERATOR PANEL** operates the crash barrier from a secure location keeping area personnel out of harm's way.

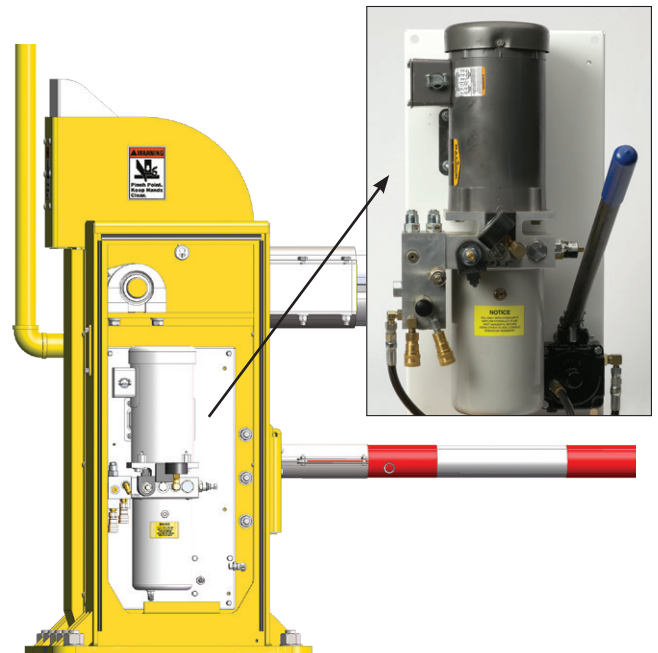
**MAG LOCK** option available.

**UPS BACKUP** Optional 230V AC Power Supply with HyInverter™ AC provides UPS battery backup for 208/230VAC, single-phase AC gate operators. Retain full functionality during an AC power outage.

# Ultra Reliable

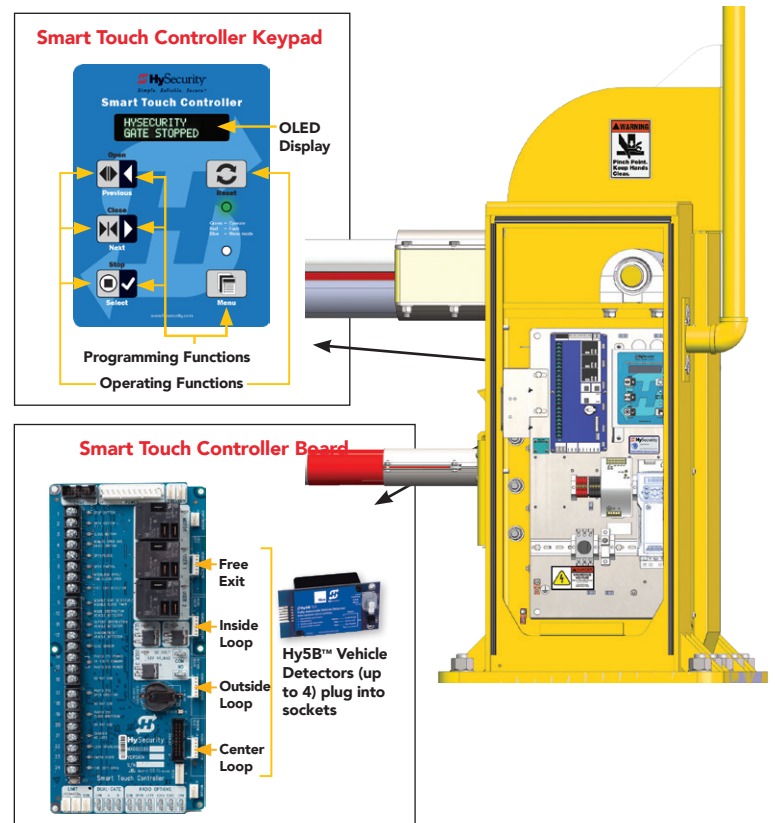
## Proven Highest Reliability Drive

- HySecurity operators thrive for decades with minimal maintenance. We've manufactured hydraulic industrial and crash gate operators since 1980, many of which secure high security ACPs.
- Variable flow hydraulic system generates optimized barrier arm motion, enabling high speed, ultra smooth operation which prevents bounce or excessive wear on components.
- Double acting hydraulic system opens barrier arm to full 90° vertical and allows hydraulic locking in closed position which eliminates the need for external locking devices.
- Simple, compact hydraulic system contains only one gallon of high performance hydraulic fluid. Biodegradable fluid available upon request.
- Extreme temperature range: -40° to 158° F (-40° to 70° C) or -10° to 158° F (-23° to 70° C) using biodegradable fluid.



## Proven Integrated, intelligent Controls

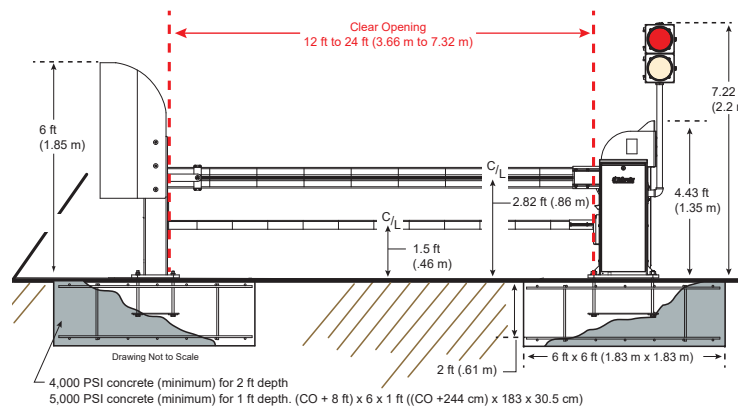
- As the most reliable microprocessor-based control board in the industry, the **Smart Touch Controller** supplies extensive features, plus RS-485 command and control interfacing for networking systems.
- **Smart Touch Control** gives you seamless synchronization with all HySecurity operators for dual gate, sally port or sequenced gate applications.
- **Over 10 years of proven field reliability** communicating alerts, status, faults, and security breach conditions.
- Smart Touch Controller and keypad are conveniently and securely mounted **inside the operator**.
- **Integrated encoder provides precise arm positioning** and enables precise motion control eliminating the vulnerability of exposed mechanical limit switches.
- **Connect to a laptop** using HySecurity's Smart Touch Analyze and Retrieve Tool (S.T.A.R.T.) computer interface to upload the latest operator software, download fault logs, generate diagnostics, and program the operator.
- **Communications protocol** smooths out power spikes and reduces field calls.



# Simple, Low Cost Installation

## Simple, Low Cost Installation

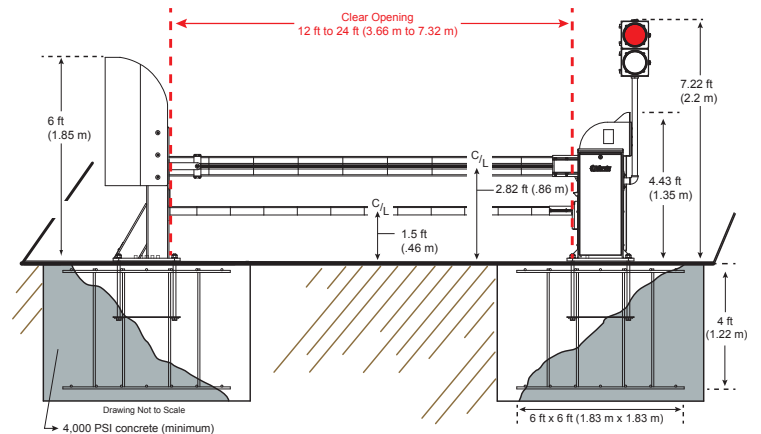
- **Plate mount design** allows foundation construction independent of equipment installation.
- **Self contained controls and hydraulics** reduce the need for expensive and time consuming trenching of hydraulic hose and wiring to a remote control panel.
- **Ultra rugged hot dipped galvanized steel for optimal corrosion protection.** Available option: Durable "Signal Yellow" polyester powder coat over zinc plate for an enduring, attractive finish.
- **Shallow M30 mount 12 or 24 inch foundation depth** reduces installation time and worries about utilities, water table, and other site concerns.



StrongArm M30 operator, barrier arm, and foundation dimensions

## Standard benefits

- Ultra reliable hydraulics and controls
- Extremely low maintenance
- Dual arm design
- Highly visible LED lighting across entire length of upper arm
- Traffic signal
- Supervised photo eye
- Emergency Fast Close
- Hand pump for manual operation
- Integrated encoder provides precise arm positioning
- NEMA 3R all weather enclosure with superior hot dipped galvanized anti-corrosion finish
- Arm securely locks hydraulically
- Wide temperature range fluid standard. No heater necessary

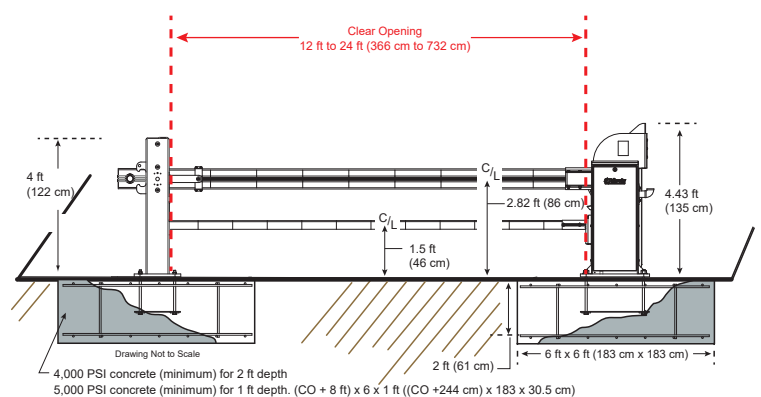


StrongArm M50 operator, barrier arm, and foundation dimensions

## Optional Benefits

- Hy5B™ vehicle detectors (plug-in)
- HyNet™ Gateway accessory
- Biodegradable, non-toxic fluid
- Heater, recommended for biodegradable, non-toxic fluid in cold climates
- Main and remote operator panels
- Mag lock for additional security
- Custom color paint
- Up to four traffic signals for bi-directional traffic
- Uninterruptible Power Supply (UPS) for many cycles after AC power loss\*

\*Single-phase AC gate operator



StrongArm M30 NP (Manual Operation) operator, barrier arm, and foundation dimensions

## System Design Support:

Contact Nice/HySecurity for help with custom site requirements, CAD drawings, tech manuals or other specifications support.



Casino



Dam



Airport



StrongArm M30 K4



Courthouse



Data Center