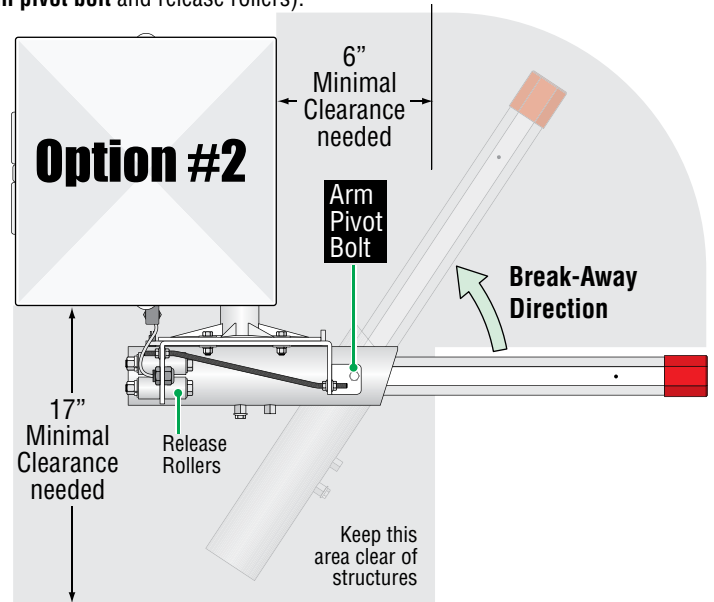
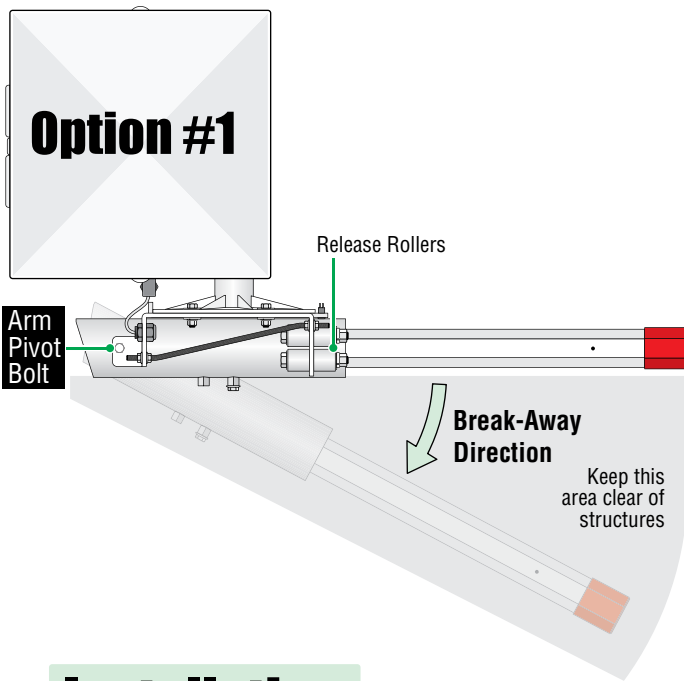


1601 BREAK-AWAY OCTAGON ARM INSTALLATION KIT

This kit is designed for a 1601 barrier gate operator **ONLY**. It **CANNOT** be used with 1602 or 1603 operators. The kit provides a break-away bracket assembly for a **octagon arm** with **OR** without reverse/LED edge **ONLY**. When the arm is raised, LEDs turn **GREEN**, and turns **RED** when lowered and remains **RED** in the down position. Arm will reverse if lowering and a obstruction is encountered. If the arm is struck and breaks away (pivots in **ONE DIRECTION ONLY**, see below), gate operator will automatically shut down. The arm manually snaps back into the release rollers to function normally again.

Break-Away Arm Direction Options

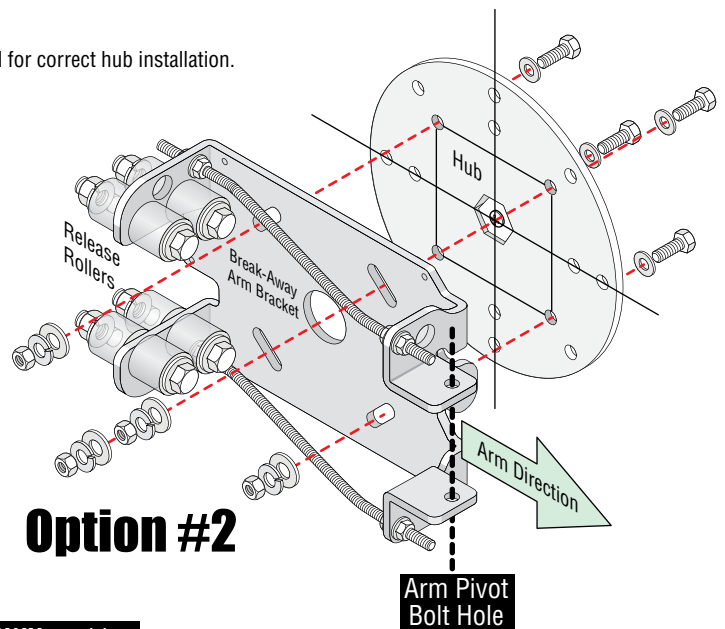
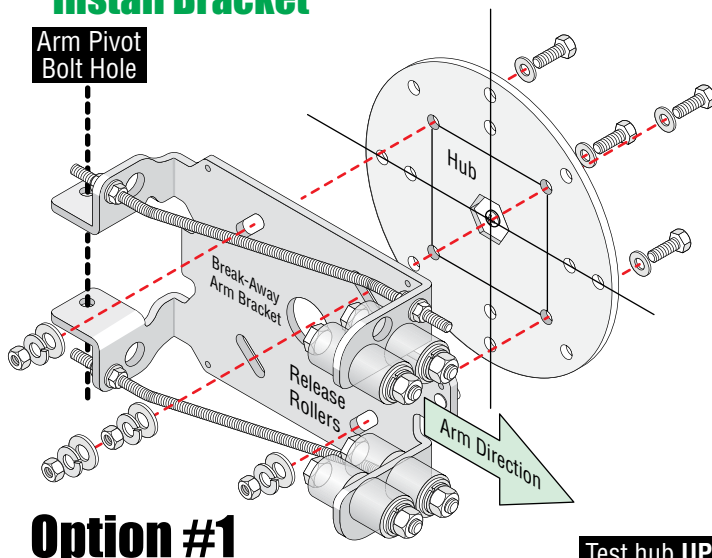
Arm will only pivot in **ONE DIRECTION** depending on which way the break-away arm bracket is installed. **Choose the desired break-away direction** and install break-away arm bracket accordingly (note position of **arm pivot bolt** and release rollers).



Installation

Install Bracket

Hub **MUST** already be installed on gate operator.
See your 1601 Barrier Installation/Owner's manual for correct hub installation.



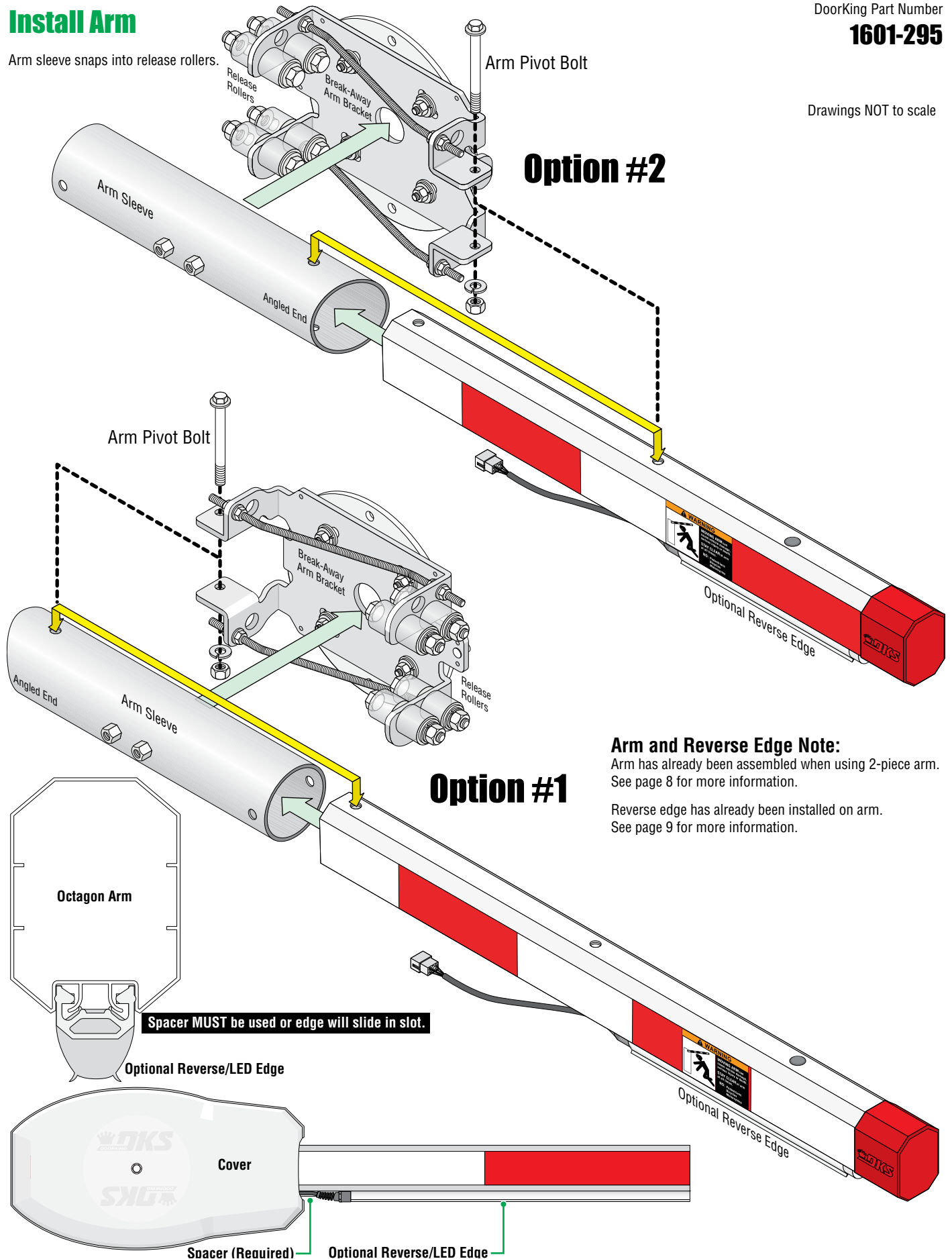
Test hub **UP** and **DOWN** position before installing bracket.

Install Arm

Arm sleeve snaps into release rollers.

DoorKing Part Number
1601-295

Drawings NOT to scale



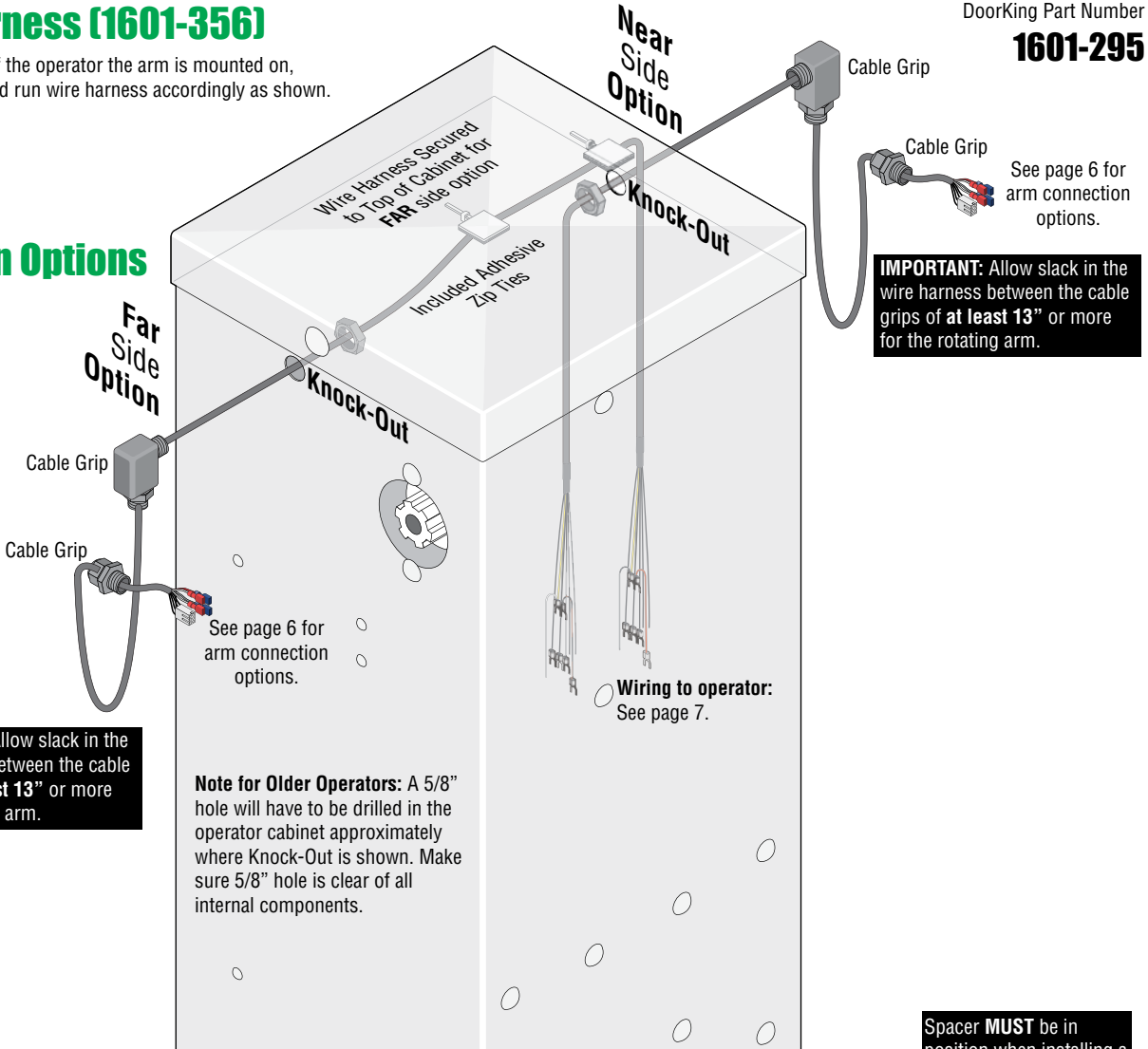
Install Harness (1601-356)

Choose which side of the operator the arm is mounted on, remove knock-out and run wire harness accordingly as shown.

DoorKing Part Number
1601-295

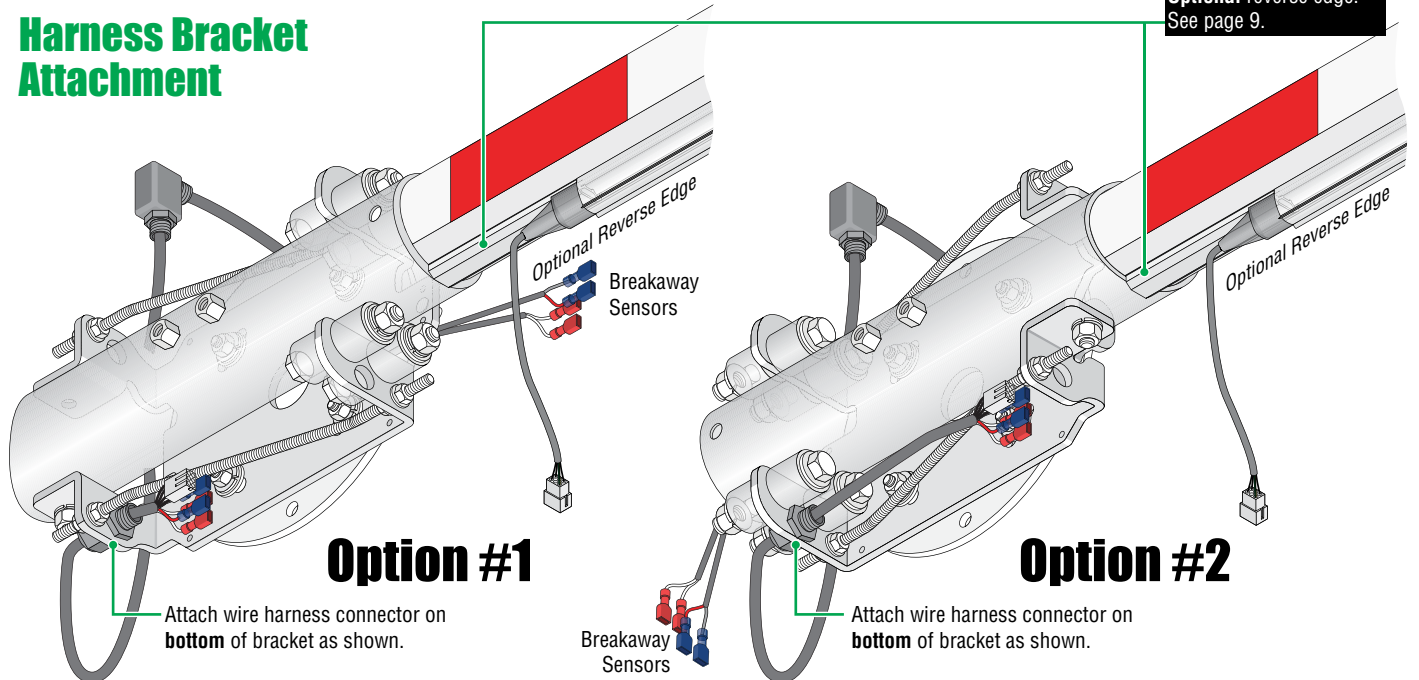
Cable Run Options

IMPORTANT: Allow slack in the wire harness between the cable grips of **at least 13"** or more for the rotating arm.



Harness Bracket Attachment

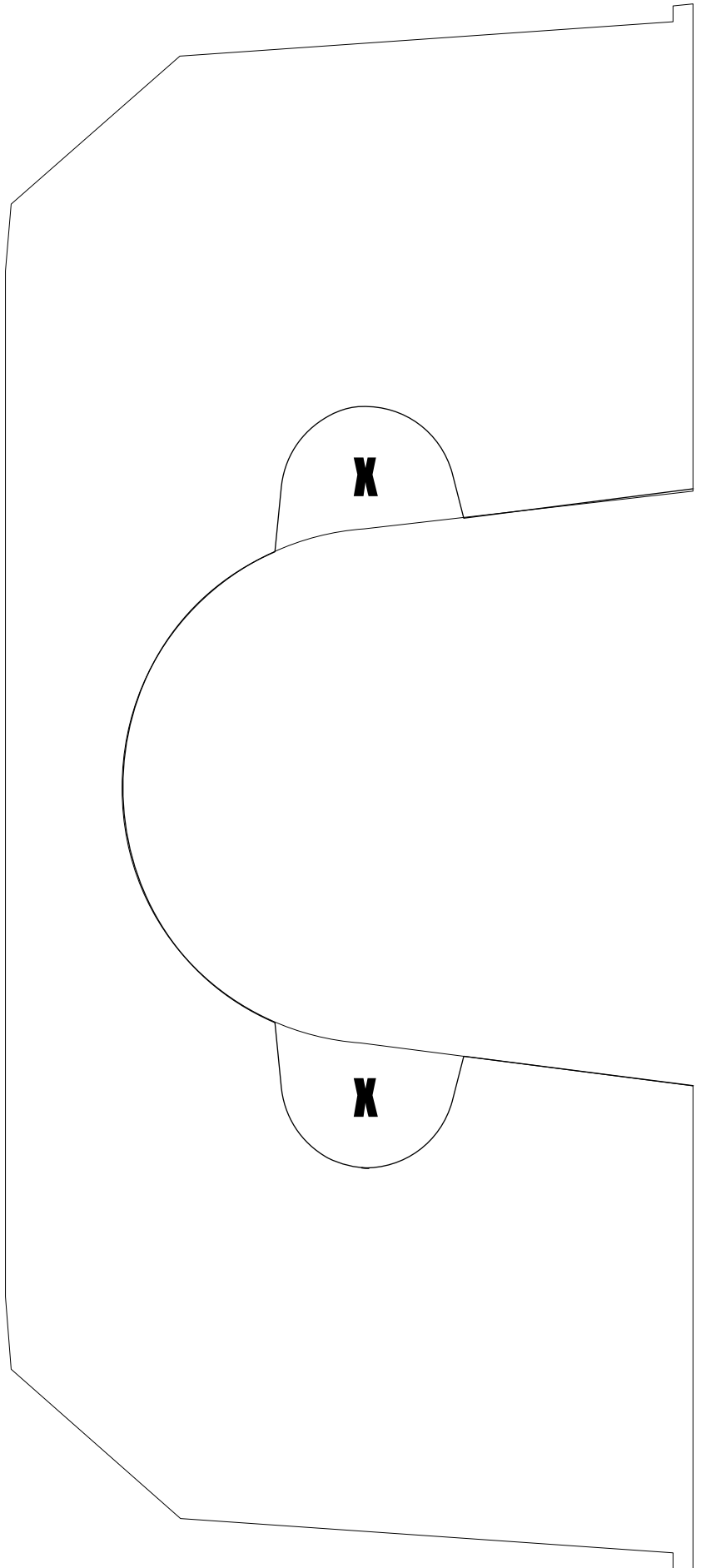
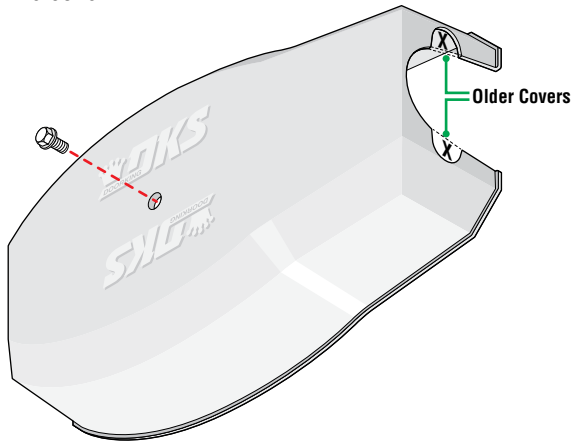
Spacer **MUST** be in position when installing a **Optional** reverse edge. See page 9.



See page 6 for arm connection **options** and securing wires to bracket.

Older Arm Cover

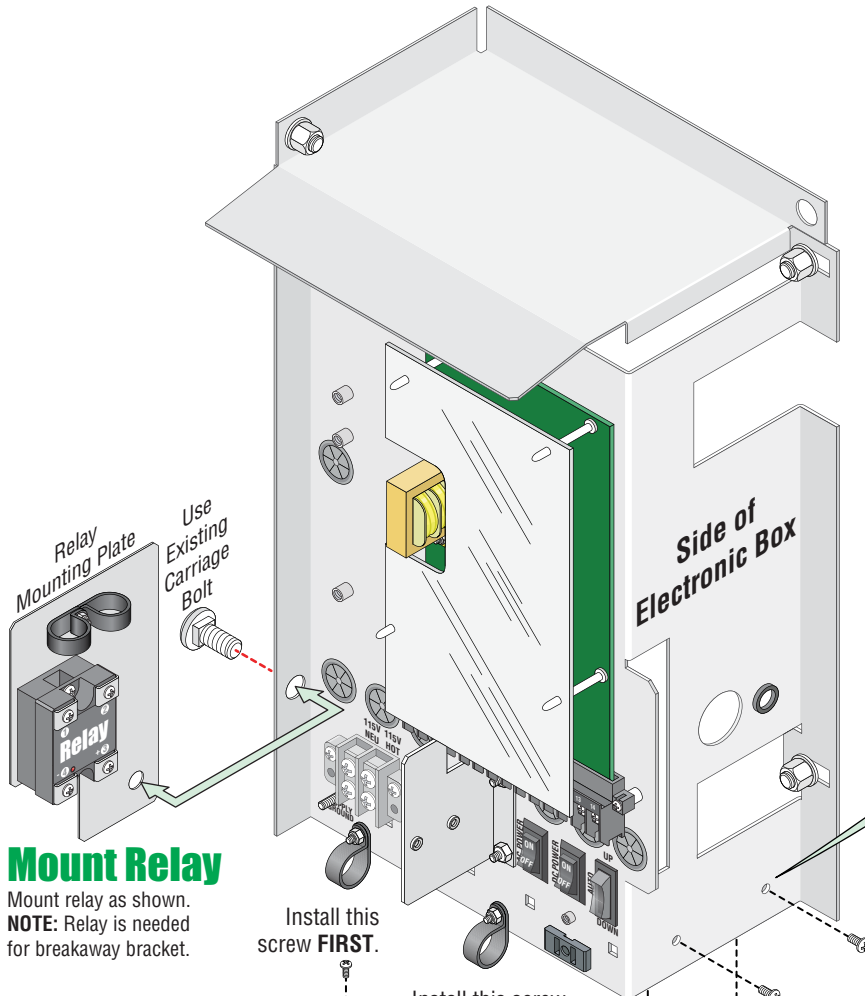
Older arm cover will need to have the reverse edge cut out of the existing cover. Only one side of the cover will need to be cut out depending on which side of the operator the arm is mounted on. Use this template as a guide to remove material from the cover.



Mount Power Supply and Relay

DoorKing Part Number
1601-295

IMPORTANT: Power supply **MUST** be wired **BEFORE** mounting it as shown. See page 6.



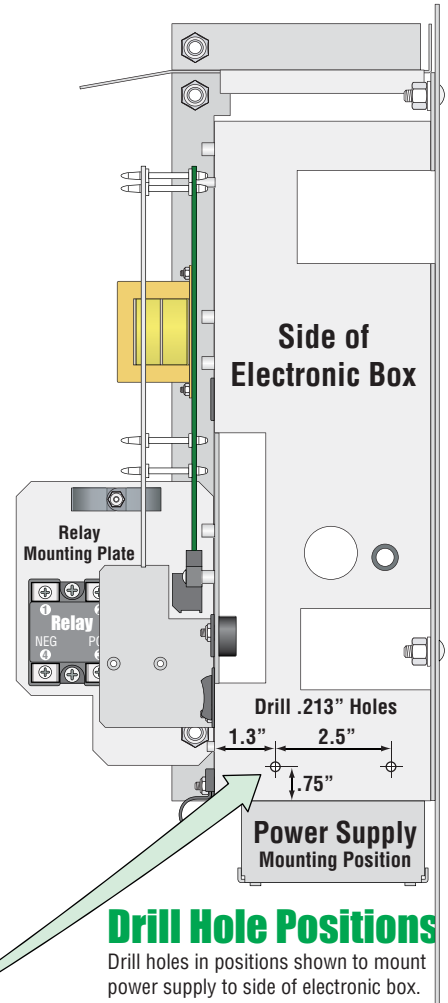
Mount Relay

Mount relay as shown.
NOTE: Relay is needed for breakaway bracket.

Install this screw **FIRST**.

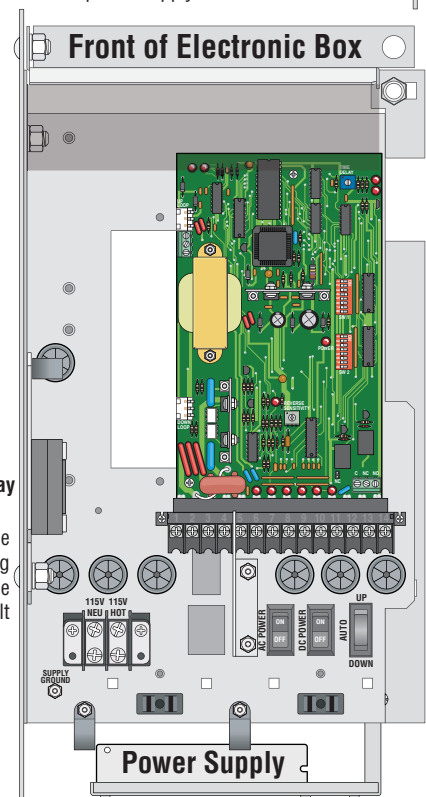
Install this screw **SECOND**.

Mount Power Supply



Drill Hole Positions

Drill holes in positions shown to mount power supply to side of electronic box.



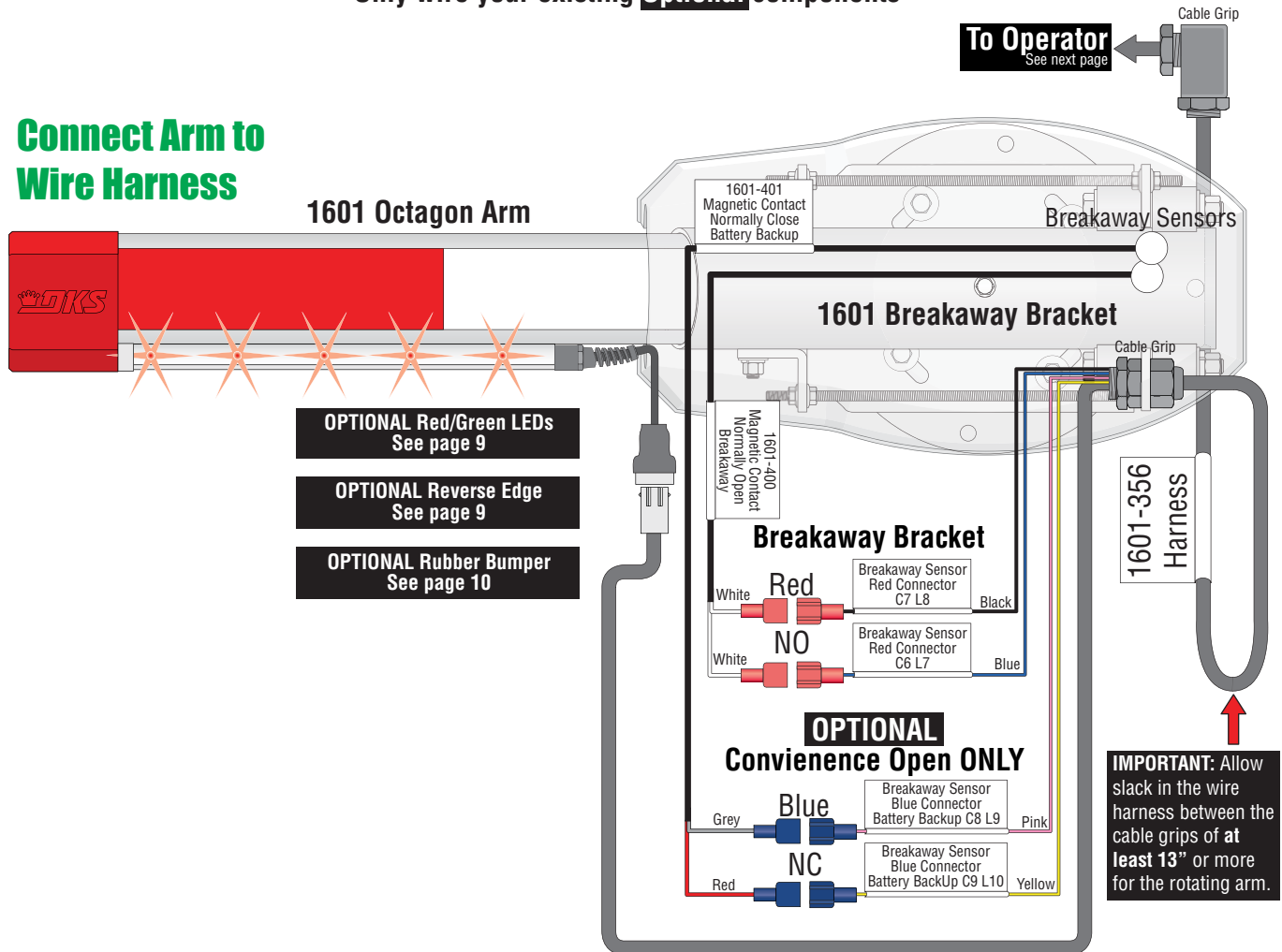
1601 Octagon Breakaway Arm - Arm Connection

DoorKing Part Number
1601-295

MAKE SURE ALL POWER IS TURNED OFF TO OPERATOR!

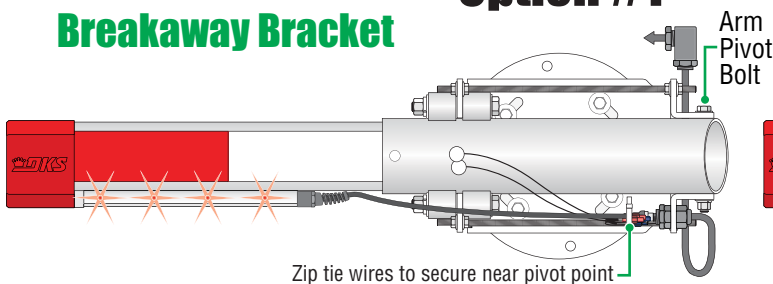
Only wire your existing **Optional** components

Connect Arm to Wire Harness

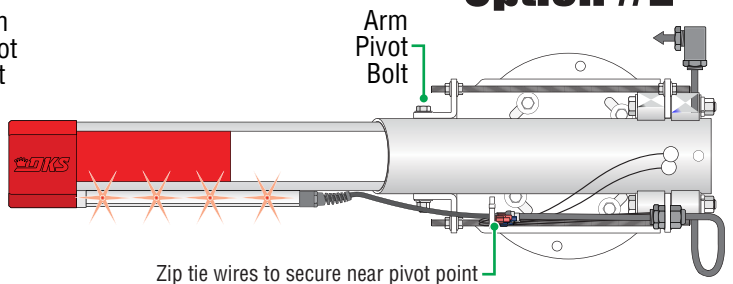


Secure Wires to Breakaway Bracket

Option #1



Option #2



IMPORTANT: To secure wires to bracket, allow for some slack in the wires to account for the arm pivoting when arm "Breaks Away" from bracket. Test breakaway feature to **make sure** there is enough slack in the wires when securing wires.

Breakaway Arm Reset Procedure

If arm gets struck and breaks away, gate operator will automatically shut down (Breakaway sensors are tripped). Simply snap arm back into the release rollers. Make sure all wires are out of the way of the arm when snapping arm back in position. Normal operation can then continue.

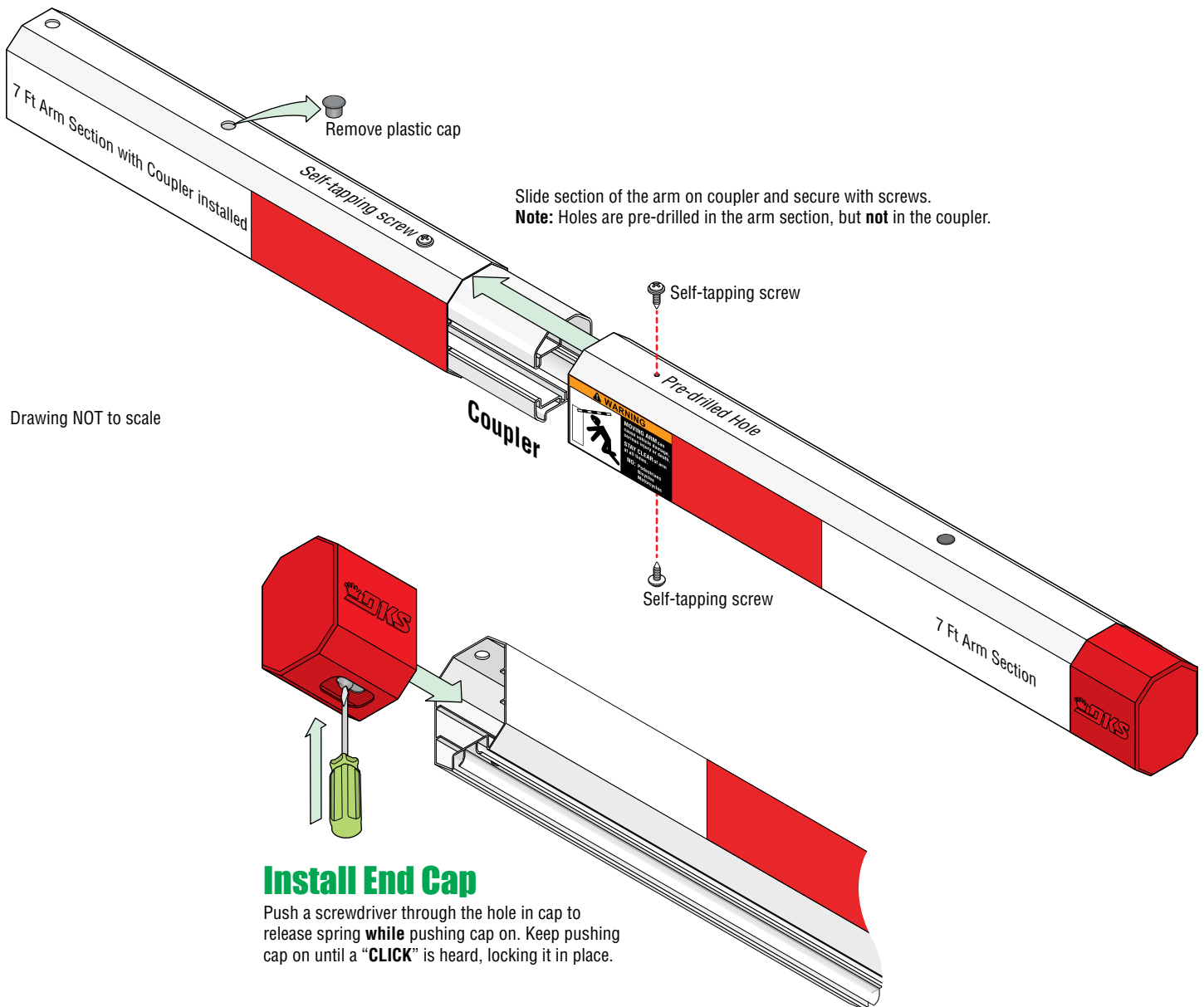
DO NOT OPERATE ARM WITHOUT BREAKAWAY SENSORS FUNCTIONING.

14 FT 2-PIECE OCTAGON ARM ASSEMBLY

DoorKing Part Number
1601-567
14 Ft 2-Piece Octagon Arm Kit

This kit is designed for use on a 1601 barrier gate operator **ONLY**. It has 2-7 ft arm sections that assemble into a 14 ft arm.

Assemble 2-Piece Arm



REVERSE EDGE / RED GREEN LED INSTALLATION

DoorKing Part Numbers

8080-080

Reverse Edge

8080-096

Reverse Edge + Red/Green LED

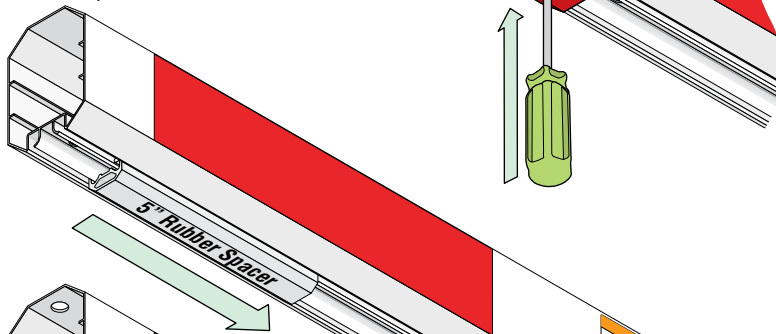
This kit is designed to install on a 14 ft aluminum **octagon arm** for a 1601 barrier gate operator. It **CANNOT** be used with a 1602 or 1603 operators.

Note: DO NOT operate arm with a malfunctioning reverse edge.

Installation

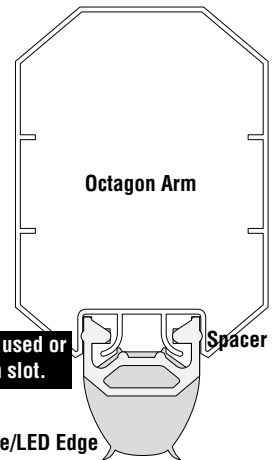
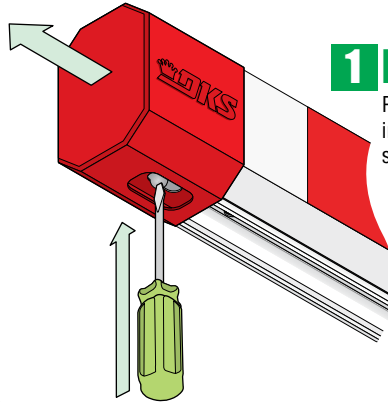
2 Slide on Spacer

Tip: Liquid soap will help spacer slide on easier.



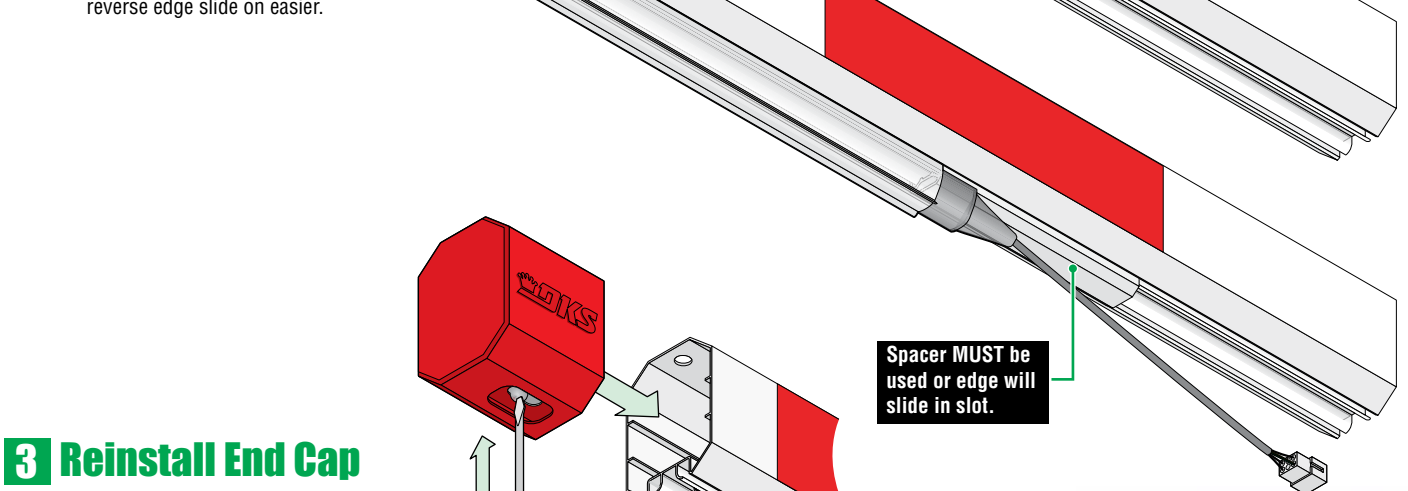
1 Remove End Cap

Push a screwdriver through hole in bottom of end cap to release spring **while** pulling cap off.



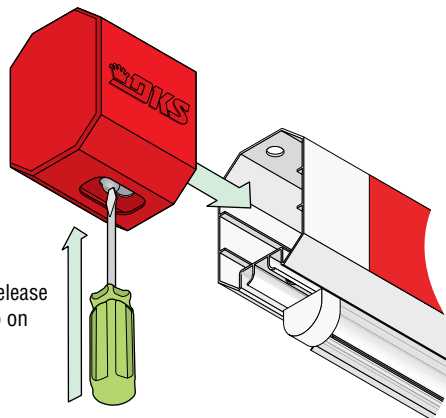
3 Slide on Edge

Tip: Liquid soap will help reverse edge slide on easier.



3 Reinstall End Cap

Push a screwdriver through the hole in cap to release spring **while** pushing cap on. Keep pushing cap on until a **“CLICK”** is heard which locks it in place.



120 S. Glasgow Avenue
Inglewood, California 90301 U.S.A.

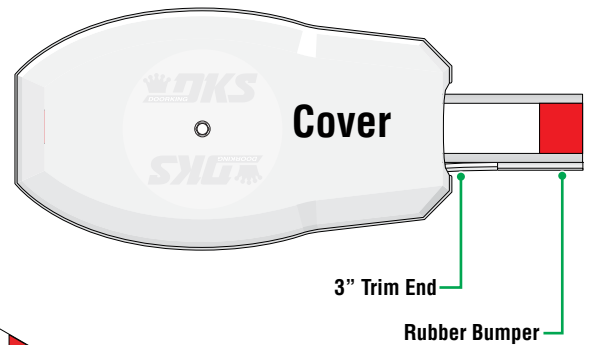
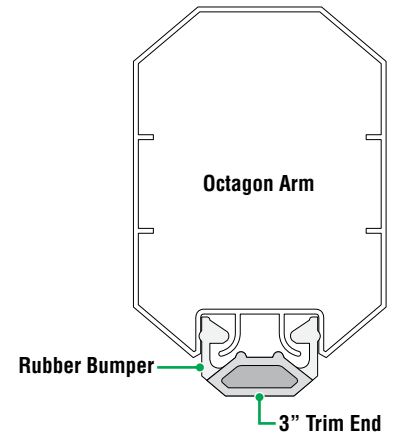
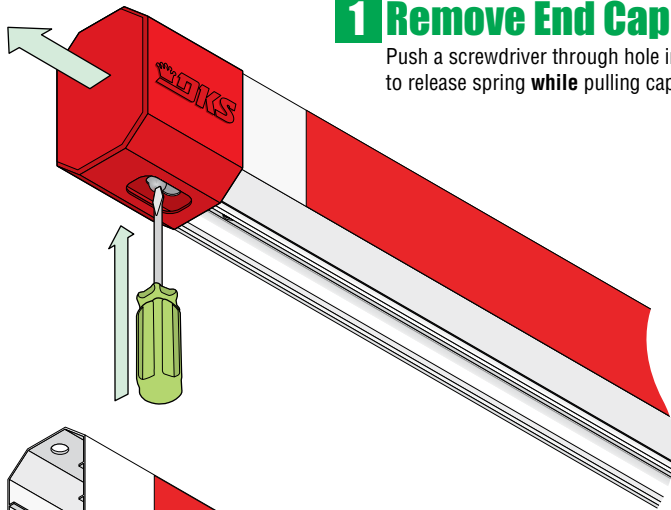
RUBBER BUMPER INSTALLATION

This rubber bumper is designed to install on a 14 ft aluminum **octagon arm** (not included) for a 1601 barrier gate operator. It **CANNOT** be used with a 1602 or 1603 operators.

Installation

1 Remove End Cap

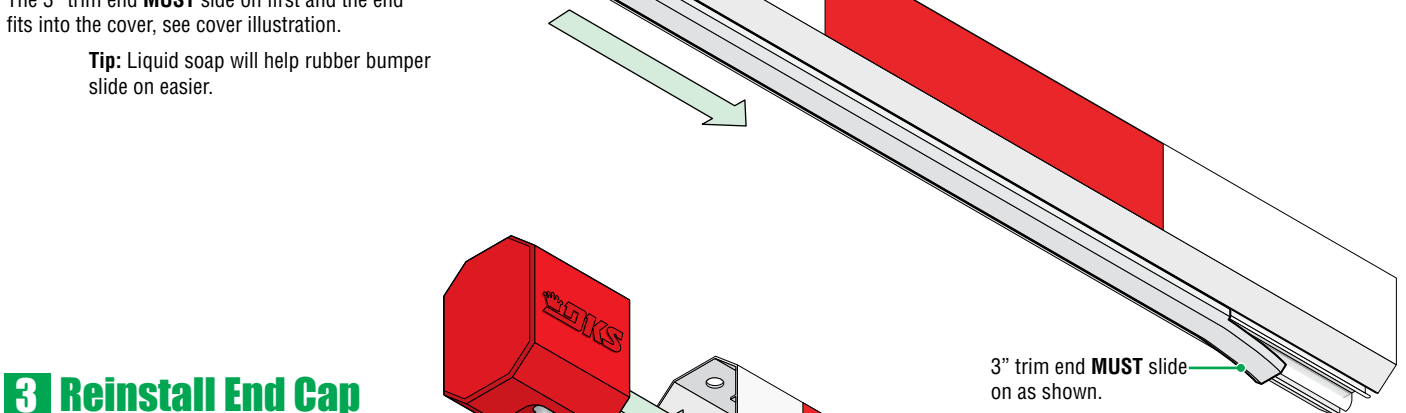
Push a screwdriver through hole in bottom of end cap to release spring **while** pulling cap off.



2 Slide on Rubber Bumper

The 3" trim end **MUST** slide on first and the end fits into the cover, see cover illustration.

Tip: Liquid soap will help rubber bumper slide on easier.



3" trim end **MUST** slide on as shown.

3 Reinstall End Cap

Push a screwdriver through the hole in cap to release spring **while** pushing cap on. Keep pushing cap on until a "**CLICK**" is heard which locks it in place.

