



8+

# 2 IN 1 EN 1

**DUAL VIEWER  
MICROSCOPE  
MICROSCOPE  
À DOUBLE  
VISIONNEMENT**



**AA** x3  
**1.5V** NOT INCLUDED  
NON INCLUSES

Do not mix old and new batteries. Do not mix alkaline, standard (carbon-zinc), or rechargeable (Ni-cad, Ni-MH, etc.) batteries. Non-rechargeable batteries are not to be recharged. Please recycle batteries responsibly.

Ne mélangez pas les piles neuves et usées. Ne pas mélanger des piles alcalines, standard (au carbone-zinc) ou rechargeables (Ni-cad, Ni-MH, etc.). Les batteries non rechargeables ne doivent pas être rechargées. S'il vous plaît recycler les piles de façon responsable.

**WARNING!** The lens contains lead that may be harmful. Wash hands after touching.  
**ATTENTION!** La lentille contient du plomb qui peut être nocif. Se laver les mains après avoir touché.

YEAST, SHRIMP EGGS / LEVURE, ŒUFS DE CREVETTES  
NET WT. / POIDS NET 0.03 OZ (0.8 G) EA / CHQ

# Contents:

- Microscope
- Slide case
- 3 Prepared slides
- 8 Blank slides
- 8 Slide covers
- 8 Labels
- 3 Collection vials
- Pipette
- Tweezers
- Magnifying glass
- Graduated cylinder
- Specimen slicer
- Shrimp hatchery
- Shrimp eggs
- Yeast

## Supervision by Adults

Read and follow the instructions, safety rules and first aid information.

This microscope set is intended for children over the age of 8 years. Children should only use this device under adult supervision. Never leave a child unsupervised with this device.

Accessories in this experimental kit may have sharp edges and tips. Please store the device and all of its accessories and aids out of the reach of young children when not being used to avoid risk of INJURY.

This device contains electronic components that are powered by batteries. Never leave a child unsupervised with this device. Batteries should be kept out of children's reach. When inserting batteries please ensure the polarity is correct. Insert the batteries according to the displayed +/- information.

**CAUTION:** The specimen slicer provided in this toy have sharp edges for cutting. Use under adult supervision and with extra care.

## Fire/Danger of Explosion

Do not expose the device to high temperatures. Use only battery types recommended.

Never mix old and new batteries (replace all batteries at the same time). Never mix alkaline standard carbon zinc or rechargeable batteries. Never short circuit the device or batteries or throw into a fire. Exposure to high temperatures or misuse of the device can lead to short circuits, fire or even explosion. Leaking or damaged batteries can cause injury if they come into contact with the skin. If you need to handle such batteries please wear suitable safety gloves.

## Chemicals

Any chemicals and liquids used in preparing, using, or cleaning should be kept out of reach of children. Do not drink any chemicals. Hands should be washed thoroughly under running water after use. In case of accidental contact with the eyes or mouth rinse with water. Seek medical treatment for ailments arising from contact with the chemical substances and take the chemicals with you to the doctor for treatment.

## Risk of Material Damage

Never take the device apart. Please consult our service center and send the device in for repair if needed.

Do not subject the device to temperatures exceeding 140°F.

## Tips on Cleaning

Remove batteries from device before cleaning.

## Microscope Care

Clean the exterior of device with a dry cloth. Do not use cleaning fluids so as to avoid damaging electronic components.

Clean the lens (objective and eyepiece) only with a soft lint-free cloth (e.g., microfiber). Do not use excessive pressure - this may scratch the lens. Protect the device from dust and moisture. Store the device in its original packaging. Batteries should be removed from the device if not used for a long period of time.

## Disposal

Keep packaging materials (plastic bags, rubber bands, etc.) away from children. There is a risk of SUFFOCATION.

Dispose of packaging materials as legally required. Consult the local authority on the matter if necessary.



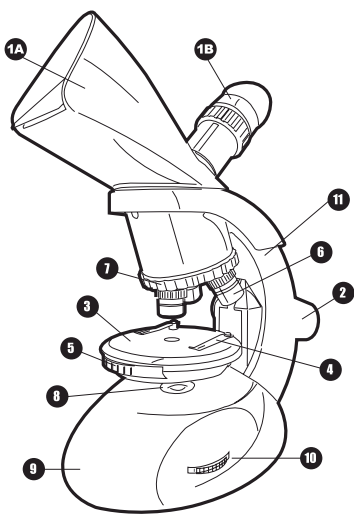
### DISPOSAL

Dispose of the packaging materials properly, according to their type, such as paper or cardboard. Contact your local waste-disposal service or environmental authority for information on the proper disposal.

Please take the current legal regulations into account when disposing of your device. You can get more information on the proper disposal from your local waste-disposal service or environmental authority.



**WARNING:**  
SUN HAZARD- Never look directly at the sun with this device.



### The Parts of Your Microscope:

- 1 Rotating Eyepiece  
1A Projection/ 1B 10x - 16x Eyepiece
- 2 Focus Knob
- 3 Stage
- 4 Metal Stage Clips
- 5 Aperture Wheel
- 6 4x, 10x, 40x Objectives
- 7 Objective Turret
- 8 Led Illumination
- 9 Base With Battery Compartment
- 10 ON/OFF Switch
- 11 Microscope Arm

### Additional Contents:

- 12 (3) Prepared Slides
- 13 (8) Blank Slides
- 14 (8) Slide Covers
- 15 (8) Labels
- 16 (3) Collection Vials
- 17 Pipette
- 18 Tweezers
- 19 Magnifying Glass
- 20 Graduated Cylinder
- 21 Specimen Slicer
- 22 Shrimp Hatchery
- 23 Shrimp Eggs
- 24 Yeast

Congratulations! You've chosen one of the highest quality microscopes available for young explorers. Read the following instructions carefully to get the greatest benefit from your precision instrument. Then try out the experiments to begin your investigation of the fascinating world around you.

### How Do I Use My Microscope?

Before you use your microscope, make sure that the table, desk or whatever surface that you want to place it on is stable and not subject to vibration. If the microscope needs to be moved handle it by the arm and base while carefully transferring it.

Install three "AA" batteries (not included) in the battery box located in the base of the microscope. Open battery door and insert the batteries according to the displayed +/- information. Snap the battery compartment door closed.

Once the microscope is in a suitable location and batteries installed, check the light source to make sure that it illuminates. Use a cleaning cloth (e.g., microfiber) to gently wipe the lenses off. If the stage is dirty with dust or oil, carefully clean it off.

Make sure that the stage is raised and lowered only by using the focus adjustment knob.

### How do I operate the LED illumination?

Locate the ON/OFF dimming wheel on the base of the microscope. Turning the wheel switches on the light in the lowest illumination. Continue to turn the wheel to increase the brightness of the illumination. This microscope is equipped with modern LED lighting (a light-emitting diode) that illuminates the specimen from below. The aperture wheel (Fig. 5) is located in the middle of the microscope stage (Fig. 3). They help you when you are observing very bright or clear specimens. Using these filters combined with the dimming wheel, you can choose from various brightness levels. This helps you better recognize the components of colorless or transparent objects (e.g., grains of starch, protozoa).

## How Do I Adjust My Microscope with Eyepiece Correctly?

Turn the rotating head so the projection screen is facing the front of the microscope. Adjust the microscope stage (Fig. 3) so that it is at the lowest position. Adjust the brightness level of the illumination with the dimming wheel to provide the best lighting for the magnification. This is subjective because the best lighting depends on the transparency of the object and the aperture of the filter used for viewing. Then turn the objective turret (Fig. 7) until it clicks into place at the lowest magnification (objective 4x). Note: Before you change the objective setting, always move the microscope stage (Fig. 3) to its lowest position. This way, you can avoid causing any damage to the slide or microscope.

**NOTE:** *The lower magnification works best on most specimens as it provides the most amount of detail.*

Magnification Guide		
Eyepiece	Objective	Power
10X - 16X	4x	40x - 64x
10X - 16X	10x	100x - 160x
10X - 16X	40x	400x - 640x

## How Do I Observe the Specimen?

Sitting in your location with adequate illumination chosen from the aperture filter wheel and follow these basic rules: Start with a simple observation at the lowest magnification. This way, it is easier to position the object in the middle (centering) and make the image sharp (focusing). The higher the magnification, the more light you will require for good image quality.

**Quick Fact** - *The item you want to observe with the microscope is known as the object or specimen.*

Now place the prepared slide directly under the objective on the microscope stage (Fig. 3) securing with the stage clips (Fig 4). The object/specimen should be located directly over the illumination (Fig. 8). At this point, take a look through the eyepiece and carefully turn the focus knob (Fig. 2) until the image appears clear and sharp. If you would like an even higher level of magnification, turn the objective turret (Fig. 7) to a higher setting (10x or 40x). **Please note:** You should return the stage to lowest position before changing powers.

**NOTE:** *You should always lower the stage when rotating the objective turret.*

Each time the magnification changes (objective change), the image sharpness must be readjusted with the focus knob (Fig. 2). When doing this, make sure to be careful; if you move the microscope stage too quickly, the objective and the slide could come into contact and damage the slide or the microscope.

For transparent objects (e.g., protozoa), the light shines from below through the opening in the microscope stage and then through the object. The light travels further through the objective and eyepiece, where it is also magnified, and finally goes into the eye. This is transmitted light microscopy. Many microorganisms in water, many plant components and the smallest animal parts are already transparent in nature. Opaque specimens, on the other hand, will need to be prepared for viewing. Opaque specimens can be made transparent by a process of treatment and penetration with the correct materials (media), or by slicing. You can read more about creating specimens in the following sections.

Troubleshooting Table	
Problem	Solution
No recognizable image	Turn on light Readjust focus Start with the lowest power objective (4X) lowest power eyepiece (16X)
No Image	Center object on slide Start with the lowest power objective (4X) lowest power eyepiece (16X)
No Light	Replace batteries Check on/off position

## Cleaning Tips

To ensure your microscope has a long service life, clean the lens (objective and eyepiece) only with soft lint-free cloth (e.g., microfiber). Do not press hard as this might scratch the lens. Ask your parents to help if your microscope is really dirty. The cleaning cloth should be moistened with cleaning fluid and the lens wiped clean using very little pressure. Make sure your microscope is always protected against dust and dirt. After use, leave it in a warm room to dry off.

This microscope can be the gateway to a fun, creative, learning process and will open the door to advanced knowledge of the world around you. It allows you to explore the various fields of science from Biology to Botany to Chemistry and beyond, so have fun exploring the exciting world of science.

## Experiment Instructions

### WARNING!

- Keep chemicals and corrosive liquids out of the reach of children.
- Do not ingest any chemicals.
- Wash your hands thoroughly with soap under running water after use.

## Introduction

Here are a few tips about how to take a better look at the wonderful world of microorganisms and crystals. For example, you will learn how to prepare your object, so that you can look at it with the microscope. The numerous experiments described should make you curious and want to use your microscope more.

## What Kind of Objects?

With a magnifying glass, you can look at non-transparent (i.e., opaque) objects (for example, small animals, parts of plants, tissues, etc.) Here, the light falls onto the object and is reflected back through the magnifying lens and into your eye. With your microscope, however, you can observe transparent objects, in which the light from the lamp goes through the opening on the stage and your prepared specimen. Then it passes through the objective, the body of the microscope and the eyepiece into your eye. In this way, the microscope is only meant for observing transparent objects. Many microorganisms in water, parts of plants and the tiniest animal parts are naturally transparent. For other things, we must make them transparent. We may make them transparent through a treatment or penetration with the right materials (media), or by taking the thinnest slices from them (using our hand or a specimen slicer), and then examine them. You'll now find out how this is done.

## How to Produce Thin Specimen Slices

### WARNING:

Only do this with an adult's supervision. Ask your parents to help you. As already mentioned, you need to get the thinnest slices possible from an object so that they are transparent and can be looked at under the microscope. First, you'll need a simple candle. Place the wax from the candle in an old pot and heat it on the stovepot until it becomes liquid. Now use tweezers to dip the object in the liquid wax a few times. The wax is very hot. Be careful. After each dip, allow the wax to harden and then dip the object into the wax again. When the wax around the object has hardened completely, you can use the specimen slicer to cut thin slices from it. These slices are to be laid on a slide and covered with a cover slip.

## The Production of Specimens

There are two basic types of specimens: Permanent specimens and short-term specimens.

## Short-term Specimens

Short-term specimens are produced from objects that you want to look at, but don't want to keep in your specimen collection. These specimens are only meant to be observed for a short period of time, after which they are discarded. For short-term specimens, place the object on the slide and place a cover slip on top of it. After looking at the object, clean the slide and cover slip. One of the secrets of successful observation with microscope is the use of clean slides and cover slips. Spots or stains would only distract you when looking at an object.

## Permanent Prepared Specimens

Permanent prepared specimens are produced from objects that you would like to look at again and again. The preparation of dry objects (pollen, the wings of a fly, etc.) can only be done with special glue. You'll find such glue at a local hobby store or online, identified as "gum media." Objects that contain liquid must first have the liquid taken out of them.

## How to Prepare a Dry Object

First, place the object in the middle of a clean slide and cover it with a drop of glue (gum media). Then place a cover slip on the object that is covered in the chemical. Lightly press the cover slip so that the glue spreads to the edges. Now you have to let the specimen harden for 2-3 days. Only then is the specimen firmly glued so you will be able to use it.

## How to Prepare Smear Specimen

For a smear specimen, a drop of the liquid to be observed (e.g., water from a puddle in the forest) is placed on the end of the slide using a pipette. Then you can smear the liquid across the slide with the help of a second slide. Before observing, let the substance dry together for a few minutes.

## Experiments

### Experiment No. 1:

Black and White Print

Objects:

1. A small piece of paper from a newspaper with a black and white picture and some text
2. A similar piece of paper from a magazine

In order to observe the letters and the pictures, produce a short-term slide from each object. Now, set your microscope to the lowest magnification and use the specimen from the newspaper. The letters on the newspaper look frayed and broken since they are printed on raw, low-quality paper. The letters on the magazine look smoother and more complete. The pictures in the newspaper are made up of many tiny dots, which appear slightly smudgy. The halftone dots of the magazine picture are clearly defined.

## Experiment No. 2:

Color Print

Objects:

1. A small piece of color printed newspaper
2. A similar piece of paper from a magazine

Make short-term specimens from the objects and observe them with the lowest magnification. The colored halftone dots of the newspaper often overlap. Sometimes, you'll even notice two colors in one dot. In the magazine, the dots appear clear and rich in contrast. Look at the different sizes of the dots.

## Experiment No. 3:

Textile Fibers

Objects and Accessories:

1. Threads from various fabrics (e.g., cotton, linen, wool, silk, rayon, nylon, etc.)
2. Two needles

Each thread is placed on a slide and frayed with the help of the two needles. Next, wet the threads and cover them with a cover slip. Set the microscope to one of the lower magnifications. Cotton fibers come from a plant, and look like a flat, twisted ribbon under the microscope. The fibers are thicker and rounder at the edges than in the middle.

Cotton fibers are basically long, collapsed tubes.

Linen fibers also come from a plant, and they are round and run in one direction.

The fibers shine like silk and exhibit countless bulges on the thread.

Silk comes from an animal and is made up of solid fibers that are small in diameter, in contrast to the hollow plant-based fibers.

Each fiber is smooth and even and looks like a tiny glass tube.

The fibers of the wool also come from an animal. The surface is made of overlapping sleeves that look broken and wavy. If possible, compare wool from different weaving mills. In doing so, take a look at the different appearance of the fibers.

Experts can determine which country the wool came from by doing this.

Rayon is a synthetic material that is produced by a long chemical process. All the fibers have solid, dark lines on the smooth, shiny surface. After drying, the fibers curl into the same position. Observe the differences and the similarities.

## Experiment No. 4:

Table Salt

Object:

1. Common table salt

First, place a few grains of salt on a slide and observe the salt crystals with the lowest setting of your microscope. The crystals are tiny cubes and are all the same shape.

## Experiment No. 5:

Production of Salt Crystals

Objects and Accessories:

1. Table salt
2. A graduated cylinder filled halfway with warm water to dissolve the salt

3. Cotton thread
4. Paper clips
5. A matchstick or pencil

Add salt to the water until it no longer dissolves. You now have a saturated salt solution. Wait until the water has cooled. Fix a paper clip to the end of the cotton thread. The paper clip serves as a weight. Tie the other end of the cotton thread into a knot around the match, and dip the end with the paper clip in the salt solution. Place the match horizontally on top of the test tube. It prevents the cotton thread from slipping all the way down into the test tube. Now place the tube in a warm place for 3-4 days. If you take a look at the glass after a few days under the microscope, you can see that a little colony of salt crystals has formed on the cotton thread.

## Experiment No. 6:

How Do You Raise Brine Shrimp?

Accessories (from your microscope set):

1. Shrimp eggs
2. Sea salt
3. Hatchery
4. Yeast

Brine Shrimp, or "Artemia Salina" as they are called by scientists, have an unusual and interesting life cycle. The eggs produced by the female are hatched without ever being fertilized by a male shrimp. The shrimp that hatch from these eggs are all females. In unusual circumstances (e.g., when the marsh dries up), the male shrimp can hatch. These males fertilize the eggs of the females and from this mating, special eggs are produced. These eggs, called "winter eggs," have a thick shell, which protects them. The winter eggs are very resistant and capable of survival, even if the marsh or lake dries out, killing off the entire shrimp population. The winter eggs can exist for 5-10 years in a "sleep" status and will only hatch when the proper environmental conditions occur. These are the type of eggs you have in your microscope set.

## The Incubation of the Brine Shrimp

In order to incubate the shrimp, you first need to create a salt solution that corresponds to the living conditions of the shrimp. For this, put a half-liter of rain or tap water in a container. Let the water sit for approx. 30 hours. Since the water evaporates over time, it is advisable to fill a second container with water and let it sit for 36 hours. After the water has sat stagnant for this period of time, add half of the included sea salt to the container and stir it until all of the salt is dissolved. Now put a few eggs in the container and cover it with a dish. Place the glass container in a bright location, but don't put it in direct sunlight. Since you have a hatchery, you can also add the salt solution along with a few eggs to each of the four compartments of the tank. The temperature should be around 77°F (25°C). At this temperature, the shrimps will hatch in about 2-3 days. If the water in the glass evaporates, add some water from the second container.

## The Brine Shrimp under the Microscope

The animal that hatches from the egg is known by the name "Nauplius Larva." With the help of a pipette, you can place a few of these larvae on a glass slide and observe them. The larvae will move around in the salt water by using their hair-like appendages. Take a few larvae from the container each day and observe them under the microscope. In case you've hatched the larvae in a hatchery, simply take off the cover of the tank and place the tank on the stage. Depending on the room temperature, the larvae will be mature in 6-10 weeks. Soon, you will have had raised a whole generation of brine shrimp, which will constantly grow in numbers.

## Feeding Your Brine Shrimp

In order to keep the brine shrimp alive, they must be fed from time to time, of course. This must be done carefully, since overfeeding can make the water become foul and poison the shrimp population in the habitat. The feeding is done with dry yeast in powdered form. A little bit of this yeast every second day is enough. If the water in the compartments of the hatchery or your container turns dark, that is a sign that it is gone bad. Take the shrimp out of the water right away and place them in a fresh salt solution.

**Warning! The shrimp eggs and the shrimp are not meant to be eaten!**

### Experiment No. 7:

How Does Bread Mold Develop?

Object:

1. An old piece of bread

Put the bread on a slide and lightly moisten it with water. Place the bread into a sealed container, and keep it warm and out of harsh light. Within a few days' time, the black bread mold forms. When the mold takes on a white, shining appearance, observe it with your microscope. It will look like a complicated mass of thread, forming the fungus body, which is called the mycelium. Each thread is known as a hypha. These threads, or hyphae, grow like long, slim stacks, ending in a small, white ball, called a spore cap. Inside the spore cap is a spore that will eventually be released to start new colonies of mold. With your microscope you can watch this amazing transformation unfold.

### Experiment No. 8:

Observing Stem and Root Sections

Objects:


1. A celery stalk
2. A carrot

With an adult's supervision, cut several very thin slices from the middle of the celery (a stem) and from the middle of the carrot (a root). Make a "wet mount" by placing a drop of water on the slide. Then put the specimen on the water-covered slide, and top with a cover slip. The water will help support the sample. It also fills in the space between the cover slip and the slide. Start by viewing them at the lowest magnification and then increase the magnification for more detailed observation.

Available Downloads Visit:

[www.esmanuals.com](http://www.esmanuals.com)





The WEEE symbol if present indicates that this item contains electrical or electronic components which must be collected and disposed of separately.

Never dispose of electrical or electronic waste in general municipal waste. Collect and dispose of such waste separately.

Make use of the return and collection systems available to you, or your local recycling program. Contact your local authority or place of purchase to find out what schemes are available.

Electrical and electronic equipment contains hazardous substance which, when disposed of incorrectly, may leak into the ground. This can contribute to soil and water pollution which is hazardous to human health, and endanger wildlife.

It is essential that consumers look to re-use or recycle electrical or electronic waste to avoid it going to landfill sites or incineration without treatment.

EN

# Comprend :

- Microscope
- Étui à Lames
- 3 Lames Préparées
- 8 Lames Vierges
- 8 Lamelles
- 8 Étiquettes
- 3 Fioles de Prélèvement
- Pipette
- Pince
- Loupe
- Tube Gradué
- Microtome
- Écloserie de Crevettes
- Œufs D'artémias
- Levure Boulangère

## La Surveillance D'un Adulte Est Conseillée

Lire ces instructions et suivre les consignes de sécurité ainsi que les instructions de premiers soins.

Convient à partir de 8 ans. L'appareil ne doit être utilisé qu'en présence d'un adulte. Ne pas laisser l'appareil à la portée des enfants sans surveillance.

Le matériel comporte des éléments qui ont des arêtes vives et des saillies. Pour éviter tout risque de blessure aux jeunes enfants, garder le matériel hors de leur portée lorsqu'il n'est pas utilisé.

Des composantes de l'appareil sont alimentées par piles. Ne pas laisser l'appareil à la portée des enfants sans surveillance. Les piles doivent être gardées hors de la portée des enfants. Insérer les piles en respectant les polarités. Insérer les piles en respectant le schéma de polarité indiqué.

**ATTENTION :** Les trancheurs de spécimens fournis dans ce jouet ont des bords tranchants destinés à découper. À utiliser sous la surveillance d'un adulte et avec beaucoup de précautions.

## Risques D'incendie et D'explosion

Ne pas exposer l'appareil à des températures élevées. Utiliser uniquement les piles du type recommandé.

Ne pas mélanger des piles neuves et usagées; remplacer toutes les piles en même temps. Ne pas mélanger des piles alcalines, régulières (carbone-zinc) ou rechargeables. Ne pas court-circuiter l'appareil ni les piles. Ne pas jeter les piles dans le feu. L'exposition de l'appareil à des températures élevées peut provoquer un court-circuit, un incendie ou même une explosion. Des piles qui fuient ou qui sont endommagées peuvent provoquer des brûlures lors du contact avec la peau. Utiliser des gants de protection adéquats lors de la manipulation de telles piles.

## Produits Chimiques

Tout produit chimique doit être gardé hors de la portée des enfants. Ne pas boire les produits chimiques! Se laver soigneusement les mains après avoir manipulé des produits chimiques. Si un produit entre en contact avec les yeux ou la bouche, les rincer à grande eau. Contacter un médecin pour traiter la zone affectée. Apporter avec soi le produit en cause.

## Risques de Dommage Matériel

Ne pas démonter l'appareil. En cas de bris, expédier l'appareil endommagé au centre de service.

Ne pas soumettre l'appareil à des températures dépassant (60 °C) 140 °F.

## Conseils de Nettoyage

Retirer les piles avant de nettoyer l'appareil.

## Entretien du Microscope

Nettoyer l'appareil à l'aide d'un chiffon sec. Ne pas utiliser de nettoyants liquides qui risquent d'endommager les composants électroniques de l'appareil.

Nettoyer les lentilles (objectif et oculaire) uniquement avec un chiffon doux non pelucheux (par ex. microfibre). Éviter d'exercer une pression excessive qui risquerait de rayer les lentilles. Protéger l'appareil de la poussière et de l'humidité. Entreposer l'appareil dans son emballage d'origine. Retirer les piles en cas d'inutilisation prolongée.

## Élimination

Garder les matériaux d'emballage (sacs en plastique, etc.) hors de portée des enfants. Il y a un risque de suffocation!

Jeter les matériaux d'emballage conformément aux exigences légales. Consulter les autorités compétentes, le cas échéant.



### ÉLIMINATION

Éliminer adéquatement les matériaux d'emballage, conformément à leur type (papier, carton, etc.). Prendre contact avec le service d'élimination des déchets de votre municipalité ou l'autorité compétente en matière d'environnement afin d'obtenir des informations sur l'élimination.

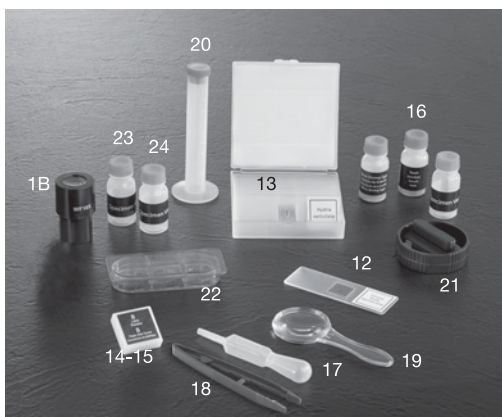
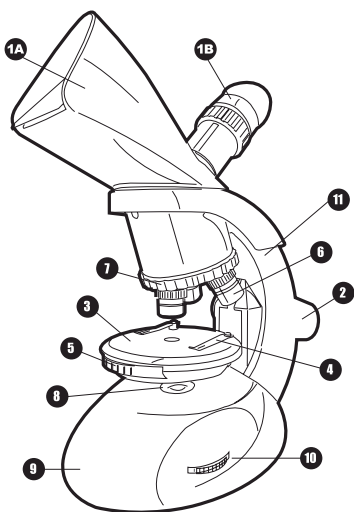
Tenir compte des réglementations légales en vigueur lors de l'élimination de l'appareil. Prendre contact avec le service d'élimination des déchets de votre municipalité ou l'autorité compétente en matière d'environnement afin d'obtenir des informations sur l'élimination.



### ATTENTION:

**DANGER SOLAIRE - Ne jamais regarder directement le soleil avec cet appareil.**





## Les Composants de Votre Microscope :

- 1 Tube binoculaire rotatif  
1A Tête de visualisation/ 1B Oculaire 10x-16x
- 2 Bouton de mise au point
- 3 Platine
- 4 Valets
- 5 Roue à diaphragmes
- 6 Objectifs 4x, 10x, 40x
- 7 Tourelle porte-objectifs
- 8 Éclairage à DEL
- 9 Base avec logement pour les piles
- 10 Interrupteur MARCHE/ARRÊT
- 11 Potence

## Accessoires :

- 12 (3) Lames Préparées
- 13 (8) Lames Vierges
- 14 (8) Lamelles
- 15 (8) Étiquettes
- 16 (3) Fioles de Prélèvement
- 17 Pipette
- 18 Pince
- 19 Loupe
- 20 Tube Gradué
- 21 Microtome
- 22 Écloserie de Crevettes
- 23 Œufs D'artémias
- 24 Levure Boulangère

Félicitations! Vous avez choisi le meilleur microscope pour débutants. Lisez attentivement les instructions pour tirer le meilleur parti de votre instrument de précision. Puis, livrez-vous à des expériences pour percer les mystères du monde qui vous entoure.

## Comment Utiliser Mon Microscope?

Avant d'utiliser votre microscope, assurez-vous que la table, le bureau ou toute surface sur laquelle il est déposé est stable et n'est pas soumise à des vibrations. Si le microscope a besoin d'être déplacé, tenez-le par la potence et la base pour le transporter.

Installez trois piles AA (non comprises) dans le compartiment à piles situé dans la base du microscope. Insérez les piles en respectant le schéma de polarité indiqué. Remettez le couvercle en place.

Une fois que le microscope est à un endroit adéquat et que les piles sont installées, vérifiez la source de lumière afin de vous assurer qu'elle fonctionne lorsqu'on met l'interrupteur en fonction MARCHE. Nettoyez délicatement les lentilles à l'aide d'un chiffon en microfibre, par exemple. Nettoyez délicatement la platine si elle est poussiéreuse ou huileuse.

Élevez ou abaissez la platine uniquement à l'aide du bouton de mise au point.

## Comment Faire Fonctionner L'éclairage à DEL?

Repérez le rhéostat situé sur la base du microscope. En tournant le rhéostat, vous réglez la luminosité au plus bas. Vous obtiendrez plus de luminosité en tournant davantage le rhéostat. La lumière à DEL (diode électroluminescente) éclaire le spécimen par en-dessous. La roue à diaphragmes (fig.5) est centrée sur la platine du microscope (fig.3). Elles sont utiles lorsque vous observez des spécimens très brillants ou transparents. À l'aide de ces filtres, vous pouvez choisir une intensité lumineuse. Cela vous aide à mieux voir les composants d'objets incolores ou transparents (ex. : grains d'amidon, protozoaires).

## Comment Ajuster Correctement L'oculaire du Microscope?

Faites pivoter la tête de visualisation de sorte que l'écran soit en face de vous. Abaissez la platine (fig. 3) à la position la plus basse. Réglez le rhéostat pour obtenir la luminosité optimale en fonction du grossissement retenu. Cette notion est subjective, puisque la luminosité optimale dépend de la transparence de l'objet et de l'ouverture du filtre utilisé pour la visualisation. Faites pivoter la tourelle porte-objectifs (fig. 7) pour enclencher l'objectif au plus faible grossissement (objectif 4x). Remarque : Avant de changer d'objectif, veillez à toujours abaisser la platine (fig. 3) à son niveau le plus bas. Ainsi, vous évitez d'endommager la lame ou le microscope.

**REMARQUE :** *Le grossissement le plus faible convient à l'observation de la plupart des spécimens, puisqu'il procure le plus de détails.*

Guide de Grossissement		
Oculaire	Objectif	Puissance
10X - 16X	4x	40x - 64x
10X - 16X	10x	100x - 160x
10X - 16X	40x	400x - 640x

## Comment Observer un Spécimen?

Réglez le condensateur à la bonne luminosité et veillez suivre les consignes suivantes : Commencez avec une observation simple, au plus faible grossissement. De cette manière, le centrage de l'objet et la mise au point seront plus faciles à réaliser. Plus le grossissement auquel vous faites votre observation est élevé, plus vous aurez besoin de lumière pour obtenir une image de qualité.

**Astuce :** *Saviez-vous que votre sujet d'observation s'appelle objet ou spécimen.*

Placez la lame préparée sous l'objectif, sur la platine (fig. 3) en l'immobilisant avec les valets métalliques (fig. 4). La lame préparée doit être située directement au-dessus de la source de lumière (fig. 8). Regardez dans l'oculaire et tournez doucement le bouton de mise au point (fig. 2) jusqu'à ce que l'image soit claire et nette. Vous obtiendrez un grossissement plus élevé en tournant la tourelle porte-objectifs (fig. 7) à une valeur plus élevée (10x ou 40x). Remarque : Vous devez abaisser la platine au plus bas niveau avant de changer d'objectif de grossissement.

**Remarque :** *Vous devez abaisser la platine au plus bas niveau, lorsque vous faites pivoter la tourelle porte-objectifs.*

Chaque fois que vous changez de grossissement (en changeant d'oculaire ou d'objectif), vous devez refaire la mise au point à l'aide du bouton (fig. 2). Prenez garde à ce moment de ne pas déplacer trop vite la platine, car l'objectif et la lame peuvent se heurter et vous risquez de les abîmer.

Pour les objets transparents (ex. : des protozoaires), la lumière émise par la lampe à DEL située dans la base du microscope est projetée à travers la platine, l'objectif et l'oculaire pour se rendre jusqu'à votre œil. On nomme ce processus de transmission de la lumière « microscopie ». De nombreux microorganismes que l'on trouve dans l'eau, les composantes de plantes et les plus petites parties d'un animal sont naturellement transparents. Les spécimens opaques quant à eux nécessitent d'être préparés pour être observés. On peut rendre transparents des spécimens opaques à l'aide d'un traitement pénétrant avec les matériaux appropriés ou en les découpant en tranches fines. Vous pouvez lire davantage sur la préparation de spécimens dans la partie consacrée aux expériences.

Tableau de dépannage	
Problème	Solution
Image floue	Allumez la lumière Refaites la mise au point Commencez avec l'objectif au plus faible grossissement (4X) l'oculaire le plus faible (16X)
Aucune image	Centrez l'objet sur la lamelle Commencez avec l'objectif au plus faible grossissement (4X) l'oculaire le plus faible (16X)
Aucune lumière	Remplacez les piles Vérifiez la position de l'interrupteur

## Astuces de Nettoyage

Nettoyer les lentilles (objectif et oculaire) uniquement avec un chiffon doux non pelucheux (par ex. microfibre). Ne pas exercer une pression excessive qui risque de rayer les lentilles. Demander l'aide d'un parent si le microscope nécessite un nettoyage plus en profondeur. Nettoyer délicatement les lentilles à l'aide d'un chiffon doux imbibé de détergent liquide. Veiller à ce que le microscope soit toujours exempt de poussière ou de saleté. Laisser le microscope sécher à l'air libre.

Ce microscope peut être la clé d'un processus d'apprentissage amusant et créatif qui vous ouvrira la porte à des connaissances plus avancées sur le monde qui vous entoure. Il vous permet d'explorer différents domaines scientifiques : biologie, botanique, chimie et d'autres encore. Amusez-vous à explorer ces univers passionnants.

## Instructions

### MISE EN GARDE!

- Conserver hors de portée des enfants les produits chimiques et agents corrosifs.
- Ne pas ingérer les produits chimiques.
- Se laver soigneusement les mains avec du savon après avoir manipulé des produits chimiques.

## Introduction

Voici quelques astuces pour mieux observer le monde merveilleux des microorganismes et des cristaux. Vous apprendrez notamment à préparer votre spécimen de façon à pouvoir l'observer au microscope. Les expériences décrites ici visent à aiguïser votre curiosité de sorte que vous vouliez utiliser davantage votre microscope.

### Quelles sortes d'objets?

À l'aide d'une loupe, vous pouvez voir des objets qui ne sont pas transparents (c.-à-d. opaques, par ex. de petits animaux, des parties de plantes, des tissus, etc.). Ici, la lumière frappe l'objet et est réfléchiée à travers les lentilles grossissantes, jusqu'à votre œil. Avec votre microscope, vous pouvez aussi observer des objets transparents que la lumière de la lampe traverse en passant par l'ouverture dans la platine. Puis, elle traverse l'objectif, le tube optique et l'oculaire pour atteindre votre œil. Le microscope est le seul moyen pour observer les objets transparents. De nombreux microorganismes que l'on trouve dans l'eau, des parties de plantes et les plus petites parties d'un animal sont naturellement transparents. Pour d'autres objets, vous devez les rendre transparents. Vous pouvez leur faire subir un traitement pénétrant ou les découper en tranches fines à l'aide d'un couteau ou d'un microtome (non compris) pour les observer au microscope. Découvrez maintenant comment on procède.

### Comment Faire des Tranches Minces de Spécimens

#### MISE EN GARDE!

Vous devez travailler sous la surveillance d'un adulte. Demandez à vos parents de vous aider. Comme dit précédemment, vous devez obtenir les tranches les plus minces possible d'un objet pour qu'elles deviennent transparentes et que vous puissiez les observer au microscope. D'abord, vous avez besoin d'une chandelle. Dans une vieille casserole, chauffez la cire de la chandelle jusqu'à ce qu'elle devienne liquide. À l'aide de la pince, plongez l'objet dans la cire liquide à quelques reprises. La cire est très chaude. Faites attention. Après chaque trempage, laissez durcir la cire, puis replongez l'objet dans la cire liquide. Lorsque la cire a complètement figé sur l'objet, vous pouvez utiliser un microtome pour le découper en tranches fines. Vous déposerez ensuite ces tranches sur une lame et les recouvrirez d'une lamelle.

### La Préparation de Spécimens

Il existe deux types de spécimens : permanents et temporaires.

## Spécimens Temporaires

Les spécimens temporaires sont produits à partir d'objets que vous voulez observer, mais que vous ne désirez pas conserver dans votre collection. Ces spécimens ne seront observés que pendant une courte période de temps, après quoi ils seront jetés. Pour préparer un spécimen temporaire, placez l'objet sur la lame et recouvrez-le d'une lamelle. Après avoir observé l'objet, nettoyez la lame et la lamelle. L'un des secrets d'une observation fructueuse au microscope consiste à utiliser des lames et des lamelles propres. Des taches ne feront que vous distraire lors de vos observations.

### Préparation de Spécimens Permanents

Les spécimens permanents sont produits à partir d'objets que vous voulez observer à plusieurs reprises. La préparation d'objets secs (pollen, ailes d'une mouche, etc.) ne peut se faire qu'à l'aide d'une colle spéciale. Vous trouverez ce type de colle dans des magasins d'artisanat, sous l'appellation de gomme arabique. Les objets qui contiennent du liquide doivent d'abord être drainés.

### Comment Préparer un Objet Sec

Placez d'abord l'objet au centre d'une lame propre et recouvrez-le d'une goutte de colle (gomme arabique). Puis placez une lamelle sur l'objet. Pressez légèrement la lamelle de façon à ce que la colle s'étende jusqu'aux bords. Laissez le spécimen durcir pendant 2 ou 3 jours. Vous pourrez utiliser le spécimen lorsqu'il sera fixé.

### Comment Préparer un Frottis

À l'aide d'une pipette, placez une goutte du liquide à observer (par ex. de l'eau d'une mare de forêt) à l'une des extrémités de la lame. Ensuite, étendez le liquide sur la surface de la lame à l'aide d'une autre lame. Laissez la substance s'assécher pendant quelques minutes avant de vous livrer à une observation.

## Expériences

### Expérience n° 1 :

Imprimés en noir et blanc :

1. Un morceau de papier journal avec une image en noir et blanc et du texte
2. Un morceau de papier de même grandeur provenant d'un magazine avec des images et du texte en couleur

Afin d'observer les lettres et les images, préparez un spécimen temporaire de chaque imprimé. Maintenant, réglez votre microscope au plus faible grossissement, puis observez le spécimen provenant du journal. Les caractères du journal ne sont pas nets, car ils sont imprimés sur du papier de qualité inférieure. Les caractères du magazine sont mieux définis. Les images du journal sont composées de multiples petits points qui ne sont pas nettement définis. Les images tramées du magazine présentent davantage de netteté.

## Expérience n° 2 :

Imprimés en Couleurs :

1. Morceau de papier provenant d'un journal imprimé en couleur
2. Morceau de papier provenant d'un magazine imprimé en couleur

Préparez un spécimen temporaire de chaque imprimé, puis observez-les au plus faible grossissement. Les points qui forment la trame du journal se chevauchent. On peut même voir deux couleurs dans un même point. Les points qui forment la trame du magazine sont nets et contrastés. Observez les différentes tailles de points.

## Expérience n° 3 :

Fibres Textiles

Objets et Accessoires :

1. Fils provenant de différents textiles (par ex. coton, lin, laine, soie, rayonne, nylon, etc.)
2. Two aiguilles

Placez chaque fil sur une lame en le tendant à l'aide des deux aiguilles. Ensuite, mouillez les fils, puis recouvrez-les d'une lamelle. Réglez le microscope au plus faible grossissement. Les fibres de coton proviennent d'une plante. Elles ressemblent à un ruban plat et torsadé lorsqu'elles sont observées au microscope. Les fibres sont plus épaisses et plus arrondies sur les bords qu'au centre.

Les fibres de coton sont en fait de longs tubes affaîssés.

Les fibres de lin qui proviennent aussi d'une plante sont arrondies et alignées dans le même sens.

Les fibres brillent comme de la soie et présentent de nombreux genoux le long du fil.

La soie provient d'un animal. Elle se compose de fibres pleines et ténues, à l'inverse des fibres d'origine végétale qui sont creuses.

Les fibres lisses et égales ressemblent à de minuscules tubes en verre.

La laine est aussi une fibre d'origine animale. La surface parsemée d'écaillés superposées présente des inégalités et ondulations. Si possible, comparez des fibres de laine provenant de différentes manufactures.

En les observant, vous constaterez qu'elles n'ont pas la même apparence.

En observant les fibres de laine au microscope, les experts peuvent identifier le pays d'où elles proviennent.

La rayonne est une fibre synthétique qui résulte d'un long procédé chimique. Toutes les fibres ont de lignes foncées et épaisses sur leur surface lisse et brillante.

Une fois sèches, les fibres reprennent leur forme initiale. Observez les différences et les similarités.

## Expérience n° 4 :

Sel de table

Objet :

1. Sel de table

D'abord, placez quelques grains de sel sur la lame et observez les cristaux de sel au plus faible grossissement de votre microscope. Les cristaux sont de petits cubes ayant tous la même forme.

## Expérience n° 5 :

Production de cristaux de sel

Objets et Accessoires :

1. Sel de table
2. Tube gradué à moitié rempli d'eau chaude en vue de dissoudre le sel
3. Fil de coton
4. Trombones
5. Une allumette en bois ou un crayon

Ajoutez du sel dans l'eau jusqu'à ce qu'il ne s'en dissolve plus. Vous avez à présent une solution saturée. Attendez que l'eau ait refroidi. Fixez un trombone à l'une des extrémités du fil de coton. Le trombone sert de pesée. Nouez l'autre extrémité du fil de coton à une allumette, puis trempez l'extrémité du fil avec le trombone dans la solution saline. Placez l'allumette à l'horizontal sur le dessus du tube gradué pour empêcher le fil de glisser dans le tube. Puis, gardez le tube dans un endroit chaud pendant 3 à 4 jours. Si vous observez le fil au microscope après quelques jours, vous constaterez qu'une petite colonie de cristaux de sel s'est formée sur le fil de coton.

## Expérience n° 6 :

Comment élever des artémias?

Accessoires (de votre trousse de microscopie) :

1. Cœufs d'artémias
2. Sel de mer
3. Écloserie de crevettes
4. Levure boulangère

Les artémias, ou *Artemia salina* comme les appellent les scientifiques, ont un cycle biologique unique et fascinant. Les œufs pondus par la femelle éclosent sans avoir été fécondés par une crevette mâle. Les crevettes qui proviennent de ces œufs sont toutes femelles. Lors de circonstances inhabituelles (ex. : lorsque le marais s'assèche), des crevettes mâles peuvent éclore. Ces mâles fécondent les œufs des femelles et, suite à cet accouplement, des œufs spéciaux sont produits. Ces œufs appelés « kystes » ont une coquille épaisse qui les protège. Les kystes sont très résistants et arrivent à survivre même si le marais ou le lac s'assèche en tuant toute la population de crevettes. Les kystes peuvent vivre en dormance pendant 5 à 10 ans et n'éclore que lorsque les conditions environnementales redeviennent favorables. C'est ce type d'œufs que vous avez dans votre trousse de microscopie.

## L'incubation D'artémias

Pour incuber les crevettes, vous devez d'abord créer une solution saline qui corresponde à leur environnement naturel. Pour cela, versez un demi-litre d'eau de pluie ou d'eau du robinet dans un récipient. Laissez l'eau reposer pendant environ 30 heures. Étant donné que l'eau s'évapore avec le temps, il est conseillé de remplir un deuxième récipient et de laisser l'eau reposer pendant 36 heures. Après que l'eau soit restée stagnante pendant cette période de temps, remplissez à moitié le récipient de sel de mer, puis mélangez la solution jusqu'à ce que le sel soit dissous. Déposez maintenant quelques œufs dans le récipient, puis recouvrez-le à l'aide d'une assiette. Placez le

réceptif en verre dans un endroit très bien éclairé, mais ne l'exposez pas aux rayons du soleil. Maintenant que vous avez une éclosérie, vous pouvez ajouter de la solution saline et quelques œufs dans chacun des quatre compartiments. La température doit avoisiner 25 °C (77 °F). À cette température, les crevettes vont éclore après 2 à 3 jours. Si l'eau dans le réceptif de verre s'évapore, ajoutez de l'eau provenant de l'autre réceptif.

## Les Artémias au Microscope

L'animal qui émerge de l'œuf est appelé « nauplius ». À l'aide d'une pipette, vous pouvez déposer quelques-unes de ces larves sur une lame et les observer. Les larves se déplacent dans l'eau salée en utilisant leurs appendices en forme de soies. Prélevez quotidiennement du réceptif quelques larves pour les observer au microscope. Si vous avez des larves dans l'éclosérie, enlevez simplement le couvercle du réservoir et placez-le sur la platine. Selon la température ambiante, les larves atteignent la maturité après 6 à 10 semaines. Bientôt vous aurez élevé une génération complète d'artémias qui va sans cesse augmenter.

## Nourrir vos Artémias

Afin de garder vos artémias en vie, vous devez évidemment les nourrir de temps à autre. Cela doit être fait avec précautions, car si vous les nourrissez trop, l'eau se corrompra et empoisonnera les crevettes. On nourrit les crevettes avec de la levure boulangère sèche. Une pincée tous les deux jours suffit. Si l'eau des compartiments de l'éclosérie ou de votre réservoir devient foncée, cela signifie que quelque chose ne va pas. Sortez immédiatement les crevettes de l'eau corrompue et placez-les dans une solution saline fraîche.

## Mise en garde! Les œufs d'artémias et les crevettes ne doivent pas être consommés!

### Expérience n° 7 :

Comment se développe la moisissure noire sur le pain?

Objet :

1. Un morceau de pain rassis

Placez le pain sur la lame, puis mouillez-le avec de l'eau. Placez le pain dans un contenant hermétique dans un endroit chaud à l'abri de lumière directe. Après quelques jours, de la moisissure noire du pain se forme. Lorsque la moisissure devient blanche et luisante, observez-la au microscope. Elle ressemble à un réseau complexe de filaments qui forment le thalle du champignon et qu'on appelle le mycélium. Chaque filament porte le nom d'hyphes. Ces filaments, ou hyphes, croissent en de longs pédoncules étroits, se terminant par une petite sphère blanche appelée sporange. Dans le sporange, il y a des spores qui seront éventuellement libérées pour donner naissance à de nouvelles colonies de moisissures. À l'aide de votre microscope, vous pouvez observer cette fascinante transformation.

### Expérience n° 8 :

Observation de coupes de tiges et de racines

Objets :

1. Une branche de céleri
2. Une carotte

Sous la supervision d'un adulte, coupez des tranches très fines au centre du céleri (une tige) et au milieu de la carotte (une racine). Faites un « montage humide » en plaçant une goutte d'eau sur la lame. Placez ensuite le spécimen dans la goutte d'eau sur la lame et recouvrez-le d'une lamelle. L'eau servira de support à l'échantillon. Elle comblera l'espace entre la lame et la lamelle. Commencez vos observations par le plus faible grossissement, puis augmentez graduellement le grossissement pour observer plus de détails.

## Téléchargements disponibles Visitez :

[www.esmanuals.com](http://www.esmanuals.com)



Le symbole WEEE présente indique que cet objet contient des composants électriques ou électroniques, qui doivent être recueillis et jetés séparément.

Ne jetez jamais les déchets électriques ou électroniques avec les déchets ordinaires. Recueillez-les et jetez-les séparément.

Utilisez les systèmes de collecte et de rebut à votre disposition ou votre programme de recyclage local. Contactez votre autorité locale ou votre lieu d'achat pour connaître les programmes existants.

Les équipements électriques et électroniques contiennent des substances dangereuses qui, lorsqu'elles ne sont pas jetées dans un endroit prévu à cet effet, peuvent s'infiltrer dans le sol. Elles peuvent polluer le sol et l'eau, ce qui présente des dangers pour la santé des êtres humains et la nature.

Il est essentiel que les consommateurs s'efforcent de réutiliser ou de recycler les déchets électriques et électroniques, pour éviter qu'ils n'aillent dans des sites d'enfouissement ou des centres d'incinération sans traitement.

FR







© 2023 ALEX Global Products.  
38 Corporate Circle, Albany, NY 12203, USA.  
[AlexGlobalProducts.com](http://AlexGlobalProducts.com)

Contents may vary from those listed or shown. Conforms to ASTM F963.  
Le contenu peut varier de celui décrit ou illustré. Conforme à ASTM F963.

All rights reserved. Made in China.  
Tous droits réservés, Fabriqué en Chine.

SE10142