

10X42 WATERPROOF BINOCULARS

INSTRUCTION MANUAL



WARNING:

The lens contains lead that may be harmful.
Wash hands after touching.



WARNING:

This product can expose you to chemicals including lead, which is known to the State of California to cause cancer and birth defects or other reproductive harm. For more information go to www.P65Warnings.ca.gov.



IMPORTANT SAFETY INSTRUCTIONS

READ AND FOLLOW THE INSTRUCTIONS BEFORE USE.
KEEP THESE INSTRUCTIONS FOR LATER USE.



• **SUN WARNING: WARNING: NEVER ATTEMPT TO OBSERVE THE SUN WITH THIS DEVICE! OBSERVING THE SUN – EVEN FOR A MOMENT – WILL CAUSE INSTANT AND IRREVERSIBLE DAMAGE TO YOUR EYE OR EVEN BLINDNESS.** EYE DAMAGE IS OFTEN PAINLESS, SO THERE IS NO WARNING TO THE OBSERVER THAT THE DAMAGE HAS OCCURRED UNTIL IT IS TOO LATE. DO NOT POINT THE DEVICE AT OR NEAR THE SUN. DO NOT LOOK THROUGH THE DEVICE AS IT IS MOVING. CHILDREN SHOULD ALWAYS HAVE ADULT SUPERVISION WHILE OBSERVING.

• **RESPECT PRIVACY:** WHEN USING THIS DEVICE, RESPECT THE PRIVACY OF OTHER PEOPLE. FOR EXAMPLE, DO NOT USE IT TO LOOK INTO PEOPLE'S HOMES.



• **CHOKING HAZARD:** CHILDREN SHOULD ONLY USE DEVICE UNDER ADULT SUPERVISION. KEEP PACKAGING MATERIALS LIKE PLASTIC BAGS AND RUBBER BANDS OUT OF THE REACH OF CHILDREN AS THESE MATERIALS POSE A CHOKING HAZARD.

• **RISK OF BLINDNESS:** NEVER USE THIS DEVICE TO LOOK DIRECTLY AT THE SUN OR IN THE DIRECT PROXIMITY OF THE SUN. DOING SO MAY RESULT IN A PERMANENT LOSS OF VISION.

• **RISK OF FIRE:** DO NOT PLACE DEVICE, PARTICULARLY THE LENSES, IN DIRECT SUNLIGHT. THE CONCENTRATION OF LIGHT RAYS COULD CAUSE A FIRE.

• **DO NOT DISASSEMBLE THIS DEVICE:** IN THE EVENT OF A DEFECT, PLEASE CONTACT YOUR DEALER. THE DEALER WILL CONTACT THE CUSTOMER SERVICE DEPARTMENT AND CAN SEND THE DEVICE IN TO BE REPAIRED IF NECESSARY.

• **DO NOT SUBJECT THE DEVICE TO TEMPERATURES EXCEEDING 60 °C (140 °F).**



• **DISPOSAL:** KEEP PACKAGING MATERIALS, LIKE PLASTIC BAGS AND RUBBER BANDS, AWAY FROM CHILDREN AS THEY POSE A RISK OF SUFFOCATION. DISPOSE OF PACKAGING MATERIALS AS LEGALLY REQUIRED. CONSULT THE LOCAL AUTHORITY ON THE MATTER IF NECESSARY AND RECYCLE MATERIALS WHEN POSSIBLE.



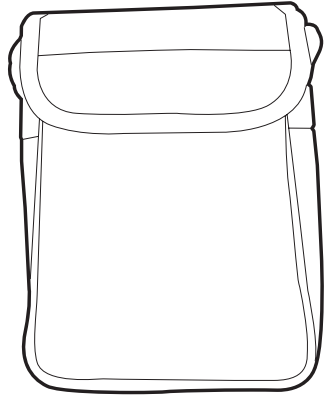
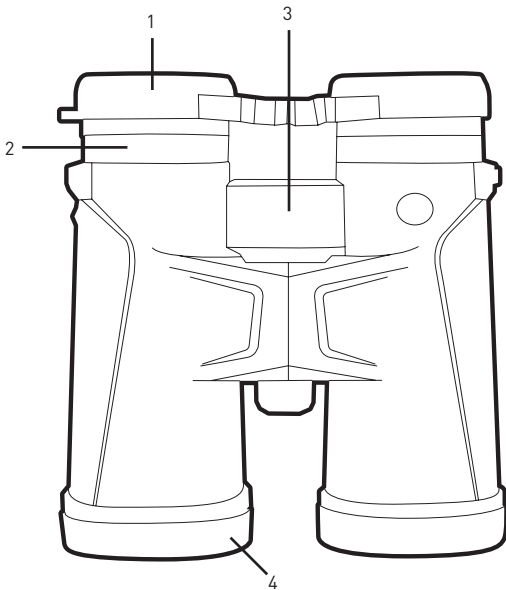
• THE WEEE SYMBOL IF PRESENT INDICATES THAT THIS ITEM CONTAINS ELECTRICAL OR ELECTRONIC COMPONENTS WHICH MUST BE COLLECTED AND DISPOSED OF SEPARATELY.

■ • NEVER DISPOSE OF ELECTRICAL OR ELECTRONIC WASTE IN GENERAL MUNICIPAL WASTE. COLLECT AND DISPOSE OF SUCH WASTE SEPARATELY.

• MAKE USE OF THE RETURN AND COLLECTION SYSTEMS AVAILABLE TO YOU, OR YOUR LOCAL RECYCLING PROGRAM. CONTACT YOUR LOCAL AUTHORITY OR PLACE OF PURCHASE TO FIND OUT WHAT SCHEMES ARE AVAILABLE.

• ELECTRICAL AND ELECTRONIC EQUIPMENT CONTAINS HAZARDOUS SUBSTANCES WHICH, WHEN DISPOSED OF INCORRECTLY, MAY LEAK INTO THE GROUND. THIS CAN CONTRIBUTE TO SOIL AND WATER POLLUTION WHICH IS HAZARDOUS TO HUMAN HEALTH, AND ENDANGER WILDLIFE.

• IT IS ESSENTIAL THAT CONSUMERS LOOK TO RE-USE OR RECYCLE ELECTRICAL OR ELECTRONIC WASTE TO AVOID IT GOING TO LANDFILL SITES OR INCINERATION WITHOUT TREATMENT.



5

Parts Overview

1. Eyepiece covers
2. Diopter settings
3. Center focus wheel
4. Objective lens covers
5. Soft carry case with cleaning cloth(not shown)

How to adjust the distance between your eyes:

The distance between your eyes is called interpupillary distance. It varies from person to person. To achieve perfect alignment of the lenses to eyes, follow these simple steps.

1. Hold your binoculars in the normal viewing position.
2. Grasp each barrel firmly. Move the barrels closer together or further apart until you see a single circular field. Always reset your binoculars to this position before using. Most binoculars have a graduated area at the top of the center hinge for reference in setting interpupillary distance for subsequent use.

How to adjust the diopter setting and center focus:

1. Adjust the diopter scale on the right eyepiece to 0. Look through the binoculars at an object about 150 feet away.
2. Shut your right eye, and focus correctly for your left eye using the center focus wheel (3).
3. Now shut your left eye, and adjust the focus for your right eye, using the diopter setting (2).
4. Now the binoculars are correctly adjusted. You can vary the focus using the center focus wheel and both eyes will always remain in focus. Make note of the diopter setting on the right side, for future use.

How to adjust the eyecups:

If you wear sunglasses or eyeglasses, fold down the eyecups (1). This will bring your eyes closer to the lenses thus providing an improved field of view.

How to clean:

1. Blow away any dust or debris on the lens (or use a soft lens brush).
2. To remove dirt or fingerprints, clean with a soft cotton cloth by rubbing in a circular motion. Use of a coarse cloth or unnecessary rubbing may scratch the lens surfaces and eventually cause permanent damage to the binoculars.
3. To thoroughly clean your binoculars, you may use a photographic - lens cleaning fluid. Always apply the fluid to the cleaning cloth, never directly onto the lens.

Note: It is important to protect this device from dust and moisture. When using in high humidity conditions, let the device acclimatize for a short period of time before storing so that residual moisture can dissipate.



© National Geographic Partners LLC. All rights reserved.
NATIONAL GEOGRAPHIC and Yellow Border Design are trademarks of the
National Geographic Society, used under license.

© Explore Scientific, LLC
1010 S. 48th Street, Springdale AR 72762.
All rights reserved. Made in China.
explorescientific.com | 866.252.3811

Contents, colors and specifications may vary.