



ROCK TUMBLER

ASSEMBLY & INSTRUCTIONS



WARNING:

CHOKING HAZARD – Small parts.
Not for children under 3 years.

Contents, colors and specifications may vary.

Production Introduction:

Smooth rocks that you find along riverbanks and other bodies of water did not start out that way. In nature, a rock’s rough edges are polished away over a long period of time as water and sand or gravel repeatedly washes over it to reveal inner colors and composition. By mimicking this natural weathering process, this Rock Tumbler can turn rough-edged rocks into smooth shiny stones showcasing intriguing colors and patterns in a matter of 2 to 4 weeks. Junior geologists will love seeing the everyday rocks they’ve collected transformed into shiny works of art and exploring how different types of stones and different tumbling conditions can yield unusual results.



Product List:

- P1: Rock Tumbler
- P2: AC Adapter
- P3: Rocks
- P4: Jewelry Accessories
 - 1 Key Chain
 - 3 Setting Holders
 - 18" Silver Tone Necklace Chain
 - 2 Adjustable Rings
 - 1 Pair of Hanging Earring Wires
 - 1 Jump Ring Connector
- P5: Coarse Grinding Powder
- P6: Fine Grinding Powder
- P7: Polishing Powder
- P8: Final Polishing Powder
- P9: Glue

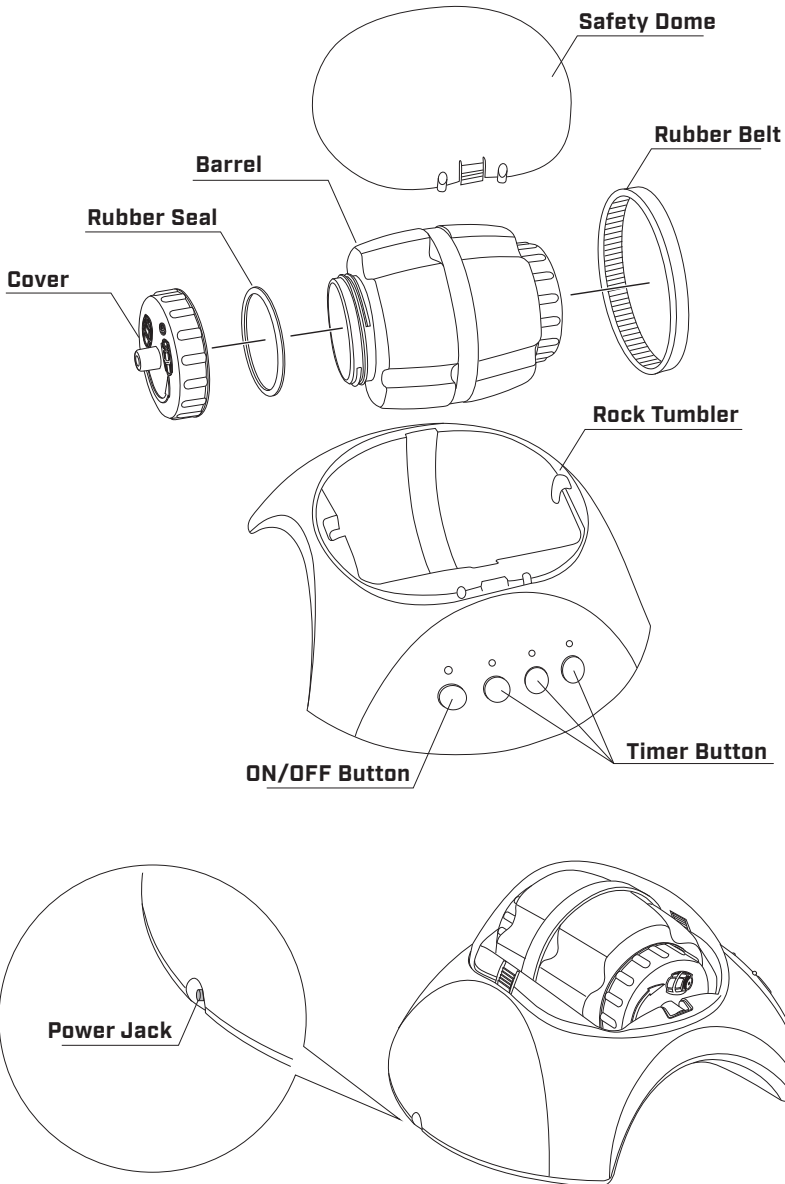
Product Specifications:

- Rock Tumbler:
- Operating conditions: 0 – 37.8 0C
- Operating humidity: 35 – 90%
- Max load: 453 g (16 oz)
- Voltage: 6V DC
- Power consumption: 1.5V A (maximum)

AC Adapter:

- Input: 110/220V AC 60Hz (Voltage transformer configuration according to countries in the region.)
- Output: 6V DC 500mA

Components:



IMPORTANT INFORMATION:

- This product is intended for use only by those ages 8 and over. To avoid injury and property damage, children should use this product **ONLY** with adult supervision.
- Before using this tumbler, read all instructions, warnings and tips in this manual. Be sure to keep the manual for future reference
- For added safety, this product is equipped with a polarized AC line plug.
- Use only the AC Adapter provided with your rock tumbler
- Use a damp cloth to clean the tumbler. **NEVER IMMERSE THE TUMBLER IN WATER.**
- **NEVER** pour used grit or grinding powder down household drains.
- The tumbler is for indoor use only. Do not use outdoors or in a moist environment.
- The barrel has a maximum weight capacity of 16 ounces. The recommended weight is 4 ounces of rocks per use.
- **DO NOT** overfill the barrel with water. Add just enough water to cover the stones only.

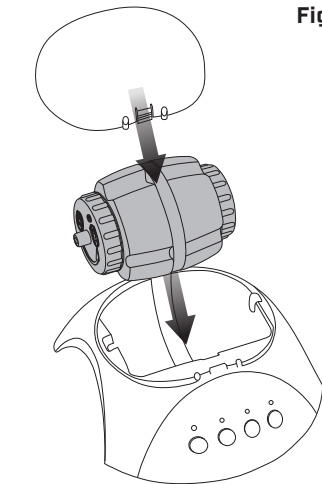
Phase 1: Starting to tumble

The purpose of this first cycle of tumbling is to smooth out sharp points and edges. This cycle will take from 2 to 4 days, depending on the size and hardness of the stones. It is best to check the stones daily during this cycle.

1. Rinse up to 4 ounces of rocks with water and then place the rocks into the barrel.
2. Add the Coarse Grinding Powder.
3. Add enough water to cover the stones. **DO NOT** overfill!
4. Tighten the barrel cap to prevent leakage (See figure 1).



Fig. 1



5. Put the barrel into the tumbler by matching the size of the axle to the size of the slot. The barrel correctly fits into the tumbler in only one way. Be sure the tumbler and the outside of the barrel are clean and dry. Cover the barrel with the safety dome (See figure 2)

Fig. 2

6. Attach the DC plug into the tumbler and then plug into 110/220V wall outlet (See figure 3).

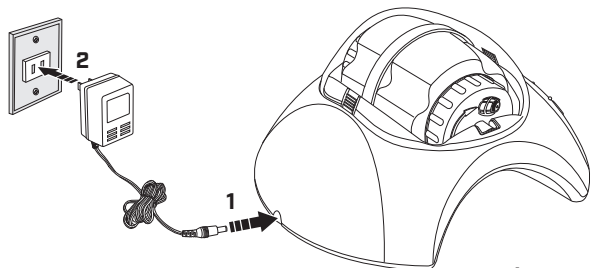
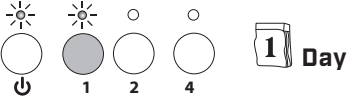
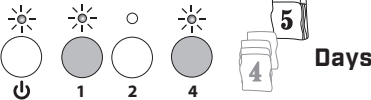
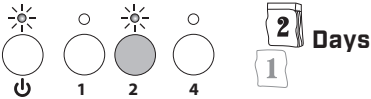
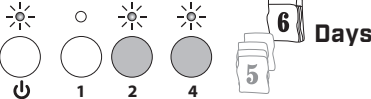
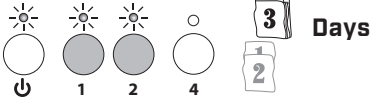
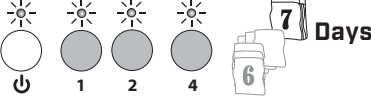
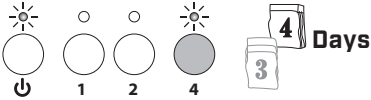


Fig. 3

7. Push the appropriate day buttons for timer (See timer chart).

Select NO. of Days	Select NO. of Days
 <p>1 Day</p>	 <p>5 Days</p>
 <p>2 Days</p>	 <p>6 Days</p>
 <p>3 Days</p>	 <p>7 Days</p>
 <p>4 Days</p>	

8. Push the ON/OFF button.

9. Check on the rocks daily. To stop the tumbler without resetting the timer, simply remove the safety dome. Open the barrel and check your progress. Close and replace the barrel and safety dome. To reset the timer, push the ON/OFF button and select the number of days and then press ON/OFF.

Phase 2: Second Tumbling Phase

This second tumbling phase will continue to smooth the rocks. It is important to inspect the rocks during this 3 to 7 day process.

1. When Phase 1 is complete, pour the contents of the barrel into a fine strainer and rinse the rocks and the barrel thoroughly. **IMPORTANT: DO NOT DUMP GRIT DOWN HOUSEHOLD DRAINS.**
2. Refill the barrel with the rocks.
3. Add the Fine Grinding Powder
4. Add enough water to cover the rocks. Be sure the tumbler and the outside of the barrel are clean and dry before starting the tumbling process.
5. Tumble for another 3 to 7 days until the rocks become shiny.

Phase 3: Polishing

It is now time for the polishing process.

1. Pour the contents of the barrel through a strainer and rinse the rocks.
- IMPORTANT: DO NOT POUR ANY OF THE GRIT DOWN HOUSEHOLD DRAINS.**
2. Wash the rocks and the barrel thoroughly with soap to remove all traces of grit. If necessary, use a scrub brush or toothbrush.
 3. Place the rocks back into the barrel and add water to cover. Tumble for two hours. This will remove any remaining pieces of grit that might scratch your polished rocks.
 4. Rinse the rocks and barrel again.
 5. Refill the barrel with the rocks and add the Polishing Powder. Add enough water to cover the rocks.
 6. Be sure the tumbler and the outside of the barrel are clean and dry before starting the tumbling process.
 7. Tumble for at least 3 days.

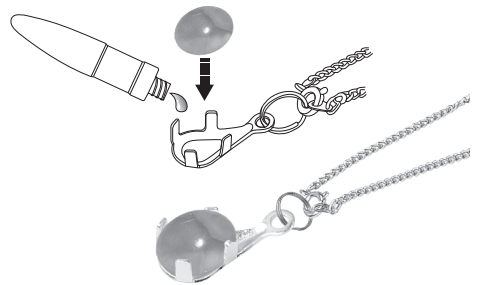
Phase 4: Final Polishing

It is now time for the final polishing process, which will add a high luster to your stones. Then they will be ready to display or mount into the included jewelry fittings.

1. Pour the contents of the barrel through a strainer and rinse the rocks.
- IMPORTANT: DO NOT POUR ANY OF THE GRIT DOWN HOUSEHOLD DRAINS.**
2. Wash the rocks and barrel thoroughly with soap to remove all traces of grit. Use a scrub brush or an old toothbrush if necessary.
 3. Place the rocks back into the barrel and add water to cover. Tumble for two hours. This will remove any remaining pieces of grit that might scratch your polished rocks.
 4. Rinse the rocks and barrel again.
 5. Refill the barrel with the rocks and add the Final Polishing Powder. Add enough water to cover the rocks.
 6. Be sure the tumbler and the outside of the barrel are clean and dry before starting the tumbling process.
 7. Tumble for at least 4 days.
 8. When the rocks are completely polished, they will look shiny when dry.

Making Jewelry:

1. Choose a polished rock and a setting mount for your necklace, key chain, ring or earrings.
2. Using the glue provided, secure the stone into the setting, gently close the prongs to hold it in the setting mount. Let dry for 24 hours.
3. To attach the mounted stone, use a jump ring connector. Twist the jump ring apart slightly with long-nosed pliers. Attach the polished rock in its setting and squeeze the jump ring together.



Helpful hints:

- Tumbling rocks makes a lot of noise. Because of the safety dome and the shape of the tumbler, a lot of noise is generated downward. Placing your tumbler on a sound absorbing material will minimize the rock tumbling sound. You should also place your tumbler in a place in the house where the noise will be least disturbing.
- Removing barrel lid: Before putting the lid on the barrel, it is a good idea to take a lubricant and lightly coat the inside rim of the lid. This will help tremendously when removing the lid between operations. Holding the rim under hot water for several minutes also will aid in removal of the lid.
- Once tumbling is started, you must continue until finished. Contents left standing in the barrel will harden into a cement-like mass.
- It is always better to operate the rock tumbler longer if you are in doubt. It will do no harm to the rocks. In fact, it will give them a better finish.
- Tumbling rocks of the same type together will produce the most highly polished look.



©2021 Explore Scientific, LLC
1010 S. 48th Street, Springdale AR 72762.
All rights reserved. Made in China.
explorescientific.com | 866.252.3811

Contents, colors and specifications may vary.