

## Expand Your Views!

With a simple twist or turn of its flexible coil, the DISCOVERY™ Adventure Scope's camera can open up new worlds to observe and investigate. The camera's 27-inch lead and bright LED lights will let you easily see into small dark spaces. Study the habits of insects, worms and other tiny creatures by peeking into holes and stumps. The Adventure Scope gives you the freedom to explore more!

## Getting Started:

The device requires three(3) AAA batteries, which are not included. To install the batteries, loosen the screw that secures the cover to the battery compartment, which is located in the device's handle.

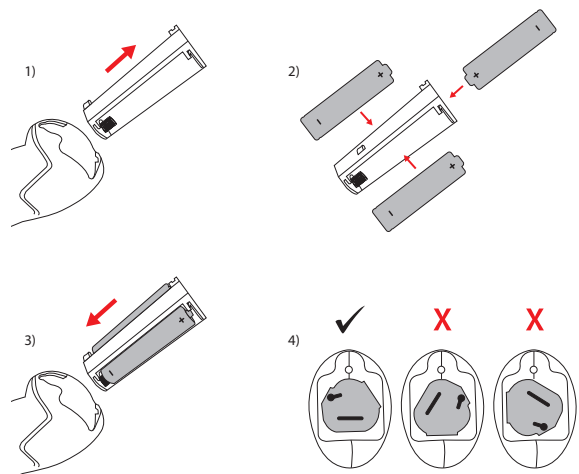


Figure 1

Once the cover is removed, insert the batteries following the polarity (+)(-) inside the fitted battery compartment. Do not force a battery into place with the polarity reversed because this can damage the device. Insert the battery compartment, replace the battery door and secure the cover in place.

**Please note:** Battery compartment fits only one way. DO NOT force the battery compartment inside the device's handle. See Figure 1.

## Operating:

To power on the digital viewer screen, simply hold the trigger down. When you are done observing, let the trigger go and the device will turn off. Use care when adjusting the flexible coil. Do not grab or twist the tip of the scope.

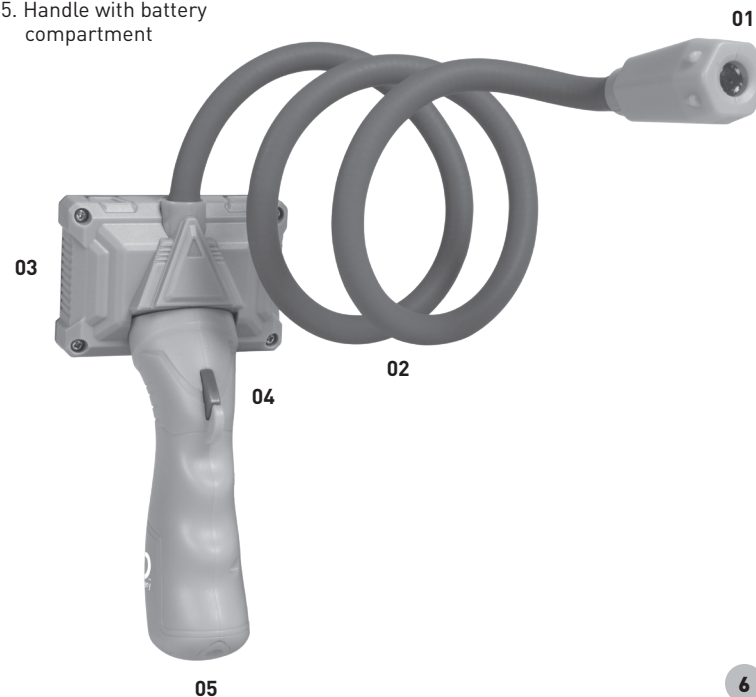
**WARNING:** Do not submerge camera or screen in water.

## Cleaning Instructions

To clean the camera lens and viewing screen on this device, only use a soft, lint-free cloth like a microfiber cloth. Do not apply excess pressure to the cloth to avoid scratching the lens/screen. To remove more stubborn dirt, moisten the cleaning cloth with an eyeglass-cleaning solution and wipe these areas gently being careful to avoid excess pressure. Protect this device from dust and moisture.

## Parts Overview

1. Camera with LED light
2. 27" flexible coil
3. LCD viewing screen
4. Power trigger
5. Handle with battery compartment



## SAFETY WARNINGS

Read and follow the instructions, safety rules, and first aid information.

- RESPECT PRIVACY: WHEN USING THIS DEVICE, RESPECT THE PRIVACY OF OTHER PEOPLE. FOR EXAMPLE, DO NOT USE THEM TO LOOK INTO PEOPLE'S HOMES.
- CHOKING HAZARD: CHILDREN SHOULD ONLY USE DEVICE UNDER ADULT SUPERVISION. KEEP PACKAGING MATERIALS LIKE PLASTIC BAGS AND RUBBER BANDS OUT OF THE REACH OF CHILDREN AS THESE MATERIALS POSE A CHOKING HAZARD.
- RISK OF BLINDNESS: NEVER USE THIS DEVICE TO LOOK DIRECTLY AT THE SUN OR IN THE DIRECT PROXIMITY OF THE SUN. DOING SO MAY RESULT IN A PERMANENT LOSS OF VISION.
- RISK OF FIRE: DO NOT PLACE DEVICE, PARTICULARLY THE LENSES, IN DIRECT SUNLIGHT. THE CONCENTRATION OF LIGHT RAYS COULD CAUSE A FIRE.
- DO NOT DISASSEMBLE THIS DEVICE. IN THE EVENT OF A DEFECT, PLEASE CONTACT YOUR DEALER. THE DEALER WILL CONTACT THE CUSTOMER SERVICE DEPARTMENT AND CAN SEND THE DEVICE IN TO BE REPAIRED IF NECESSARY.
- DO NOT SUBJECT THE DEVICE TO TEMPERATURES EXCEEDING 60° C (140° F).
- DISPOSAL: KEEP PACKAGING MATERIALS, LIKE PLASTIC BAGS AND RUBBER BANDS, AWAY FROM CHILDREN AS THEY A POSE A RISK OF SUFFOCATION. DISPOSE OF PACKAGING MATERIALS AS LEGALLY REQUIRED. CONSULT THE LOCAL AUTHORITY ON THE MATTER IF NECESSARY AND RECYCLE MATERIALS WHEN POSSIBLE.



This device complies with Part 15 of the FCC Rules. Operation is subject to the following two conditions: (1) this device may not cause harmful interference, and (2) this device must accept any interference received, including interference that may cause undesired operation.

Please note that changes or modifications not expressly approved by the party responsible for compliance could void the user's authority to operate the equipment.

NOTE: This equipment has been tested and found to comply with the limits for a Class B digital device, pursuant to Part 15 of the FCC Rules. These limits are designed to provide reasonable protection against harmful interference in a residential installation. This equipment generates, uses and can radiate radio frequency energy and, if not installed and used in accordance with the instructions, may cause harmful interference to radio communications. However, there is no guarantee that interference will not occur in a particular installation. If this equipment does cause harmful interference to radio or television reception, which can be determined by turning the equipment off and on, the user is encouraged to try to correct the interference by one or more of the following measures:

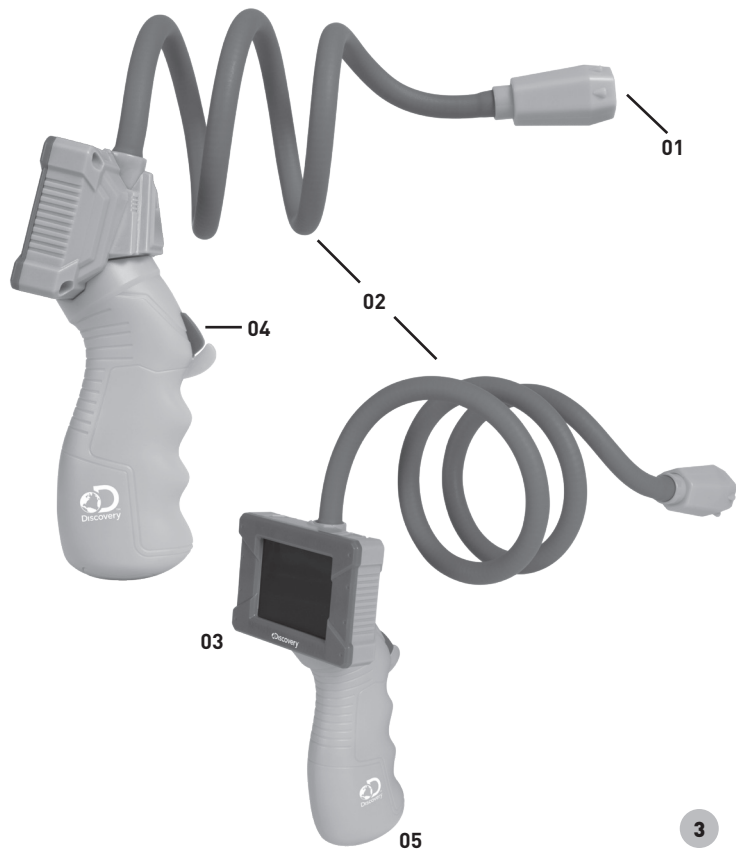
- Reorient or relocate the receiving antenna.
- Increase the separation between the equipment and receiver.
- Connect the equipment into an outlet on a circuit different from that to which the receiver is connected.
- Consult the dealer or an experienced radio/TV technician for help.

Warning: Changes or modifications to this unit not expressly approved by the party responsible for compliance could void the user authority to operate the equipment.

This Class [Y] digital apparatus complies with Canadian ICES-003.

Cet appareil numérique de la classe [Y] est conforme à la norme NMB-003 du Canada.

## CONTENTS



3

**Discovery**<sup>™</sup>

©2019 Discovery Communications, LLC. Discovery<sup>™</sup> and the Discovery<sup>™</sup> logo are trademarks of Discovery Communications, LLC, used under license. All rights reserved. [discoverykids.com](http://discoverykids.com)

©2019 Explore Scientific, LLC, a Journey North Company.  
1010 S. 48th Street, Springdale AR 72762  
All rights reserved. [explorescientificusa.com](http://explorescientificusa.com) | [exploreone.com](http://exploreone.com) | 866.252.3811  
Made in China

CONFORMS TO THE SAFETY REQUIREMENTS OF ASTM F963

JourneyNorth, Inc.

**Discovery**<sup>™</sup>

AGES  
**8+**

## INSTRUCTION MANUAL



**WARNING:**  
**CHOKING HAZARD** – Small parts.  
Not for children under 3 years.

**WARNING:**  
**SUN HAZARD** – Never look directly  
at the sun with this device.

**x3**  
**NOT INCLUDED**  
**AAA**  
**1.5V**

Do not mix old and new batteries.  
Do not mix alkaline,  
standard (carbon-zinc), or rechargeable  
(ni-cad, ni-mh, etc.) batteries.

**Adventure Scope**  
Handheld LCD Camera for Exploration

## CONTENTS

- 01 Camera with LED light
- 02 27" flexible coil
- 03 LCD viewing screen
- 04 Power trigger
- 05 Handle with battery compartment

2