



**BRESSER®**

GC2MP-TS

# **OMNI-5GC**

INSTRUCTION MANUAL



**5.0 MP\***  
**PHOTOS**  
*\*Interpolated*



**TIME & DATE**



**4GB MICRO  
CARD INCLUDED**



**22  
IR LIGHTS**



**INFRARED  
FLASH RANGE**



**DAY & NIGHT  
OPERATION**

## GENERAL INFORMATION

---

Please read the safety instructions in this manual carefully. To avoid damage to the unit and the risk of injury, only use this product as described in the manual. Keep the instruction manual handy so that you can easily look up information on all the functions. If you have any questions regarding the product, please call customer service at 1-866-252-3811, 8am - 5pm., CDT, Monday - Friday.

---

## WARNINGS:



**DISPOSAL:** Keep packaging materials, like plastic bags and rubber bands, away from children as they pose a risk of suffocation. Dispose of packaging materials as legally required. Consult the local authority on the matter if necessary and recycle materials when possible.



- The WEEE symbol if present indicates that this item contains electrical or electronic components which must be collected and disposed of separately.
- Never dispose of electrical or electronic waste in general municipal waste. Collect and dispose of such waste separately.
- Make use of the return and collection systems available to you, or your local recycling program. Contact your local authority or place of purchase to find out what schemes are available.
- Electrical and electronic equipment contains hazardous substance which, when disposed of incorrectly, may leak into the ground. This can contribute to soil and water pollution which is hazardous to human health, and endanger wildlife.
- It is essential that consumers look to re-use or recycle electrical or electronic waste to avoid it going to landfill sites or incineration without treatment.

**BATTERY WARNING:**

– Battery guidelines: This device contains electronic components that are powered by batteries. Batteries should be kept out of children's reach. When inserting batteries, please ensure the polarity is correct. Insert the batteries according to the displayed +/- information. Never mix old and new batteries. Replace all batteries at the same time. Never mix alkaline, standard carbon-zinc and rechargeable nickel-cadmium batteries. Never short circuit the device or batteries or throw either into a fire. Leaking or damaged batteries can cause injury if they come into contact with the skin.

If you need to handle such batteries, please wear suitable safety gloves. Remove batteries from the product before extended storage to prevent leaking. Do not immerse the battery compartment in water. Non-rechargeable batteries are not to be recharged. Rechargeable batteries are to be removed from the device before being charged. Rechargeable batteries are only to be charged under adult supervision. Exhausted batteries are to be removed from device. The supply terminals are not to be short-circuited. Please recycle batteries responsibly.



This device complies with Part 15 of the FCC Rules. Operation is subject to the following two conditions: (1) this device may not cause harmful interference, and (2) this device must accept any interference received, including interference that may cause undesired operation.

NOTE: This equipment has been tested and found to comply with the limits for a Class B digital device, pursuant to part 15 of the FCC Rules. These limits are designed to provide reasonable protection against harmful interference in a residential installation. This equipment generates, uses and can radiate radio frequency energy and, if not installed and used in accordance with the instructions, may cause harmful interference to radio communications. However, there is no guarantee that interference will not occur in a particular installation. If this equipment does cause harmful interference to radio or television reception, which can be determined by turning the equipment off and on, the user is encouraged to try to correct the interference by one or more of the following measures:

- Reorient or relocate the receiving antenna.
- Increase the separation between the equipment and receiver.
- Connect the equipment into an outlet on a circuit different from that to which the receiver is connected.
- Consult the dealer or an experienced radio/TV technician for help.



## INTRODUCTION

Bresser's **OMNI-5GC** game camera has the versatility to meet all of your surveillance needs whether you are recording wildlife or trespassers. Working with an ample field of view and a fast trigger speed, this model can capture photos to document some of your property's most elusive visitors. Its passive-infrared motion sensor has a sizable detection range of 33 feet. It also offer a 1.44-inch LCD color display screen located on the programming dongle for image review and have a slot for a user-supplied micro flash card. Encased in a sturdy plastic housing that is easily camouflaged, the camera comes with a sturdy mounting strap and a USB cable for additional viewing options.

## FEATURES



**5.0 MP\***  
**PHOTOS**  
*\*Interpolated*



**TIME & DATE**



**4GB MICRO  
CARD INCLUDED**  
*up to 32GB*



**22  
IR LIGHTS**



**INFRARED  
FLASH RANGE**



**DAY & NIGHT  
OPERATION**



## PARTS AND CONTROLS

NAIL OR  
SCREW HANGER

IR LIGHTS

LENS

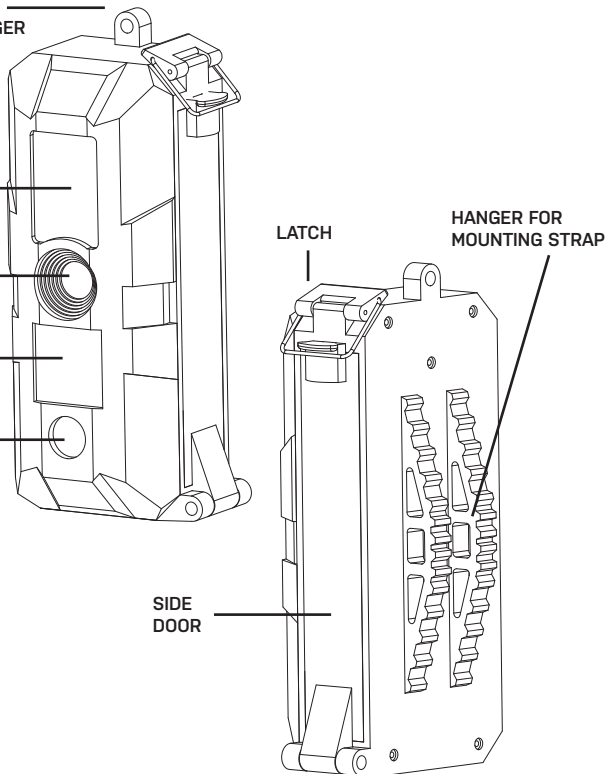
PREVIEW  
SCREEN

MOTION  
SENSOR

LATCH

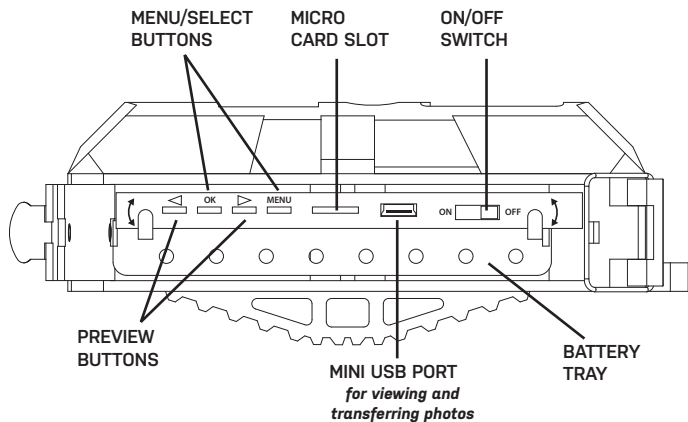
HANGER FOR  
MOUNTING STRAP

SIDE  
DOOR

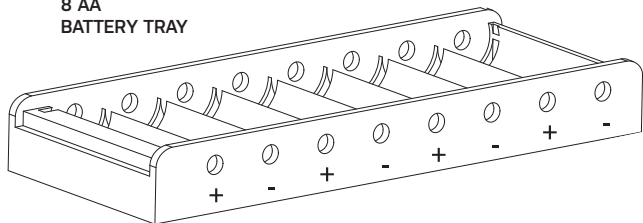




## PARTS AND CONTROLS



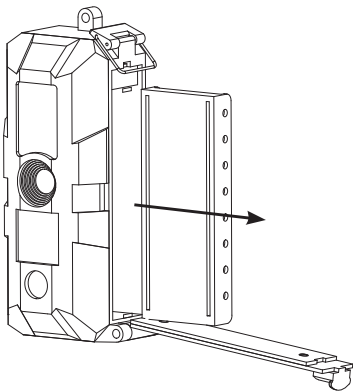
8 AA  
BATTERY TRAY



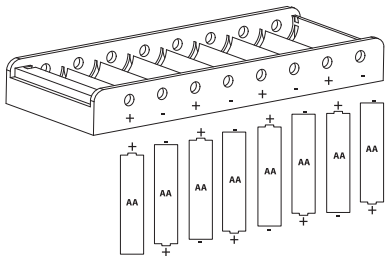


## BATTERY INSTALLATION

1. Unlock the side latch and open the trail camera's side door
2. Turn silver tabs outward and remove battery tray from trail camera



3. Insert 8 AA batteries (not included) in the battery tray  
**NOTE: To ensure the chip's initialization process complete, please wait 4 seconds after installing the batteries to turn on the trail camera.**



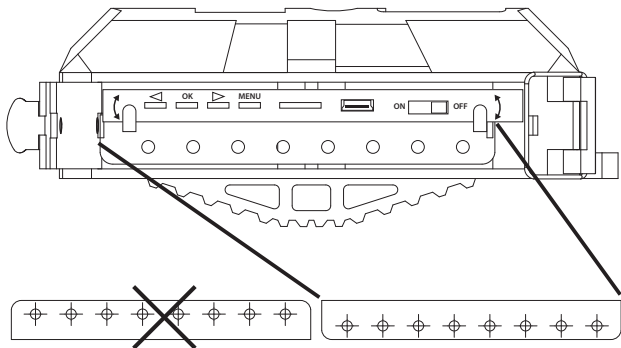


## BATTERY INSTALLATION

4. Insert battery tray back into the trail camera and turn the tabs inward to lock into place.

**NOTE:** Battery tray must be inserted with the curves at the edge of the tray orientated the correct way. Failure to orientate the tray correctly will break plastic tabs on the corners of the camera housing which will reduce the integrity of the camera body.

5. Close the side door and lock the latch.



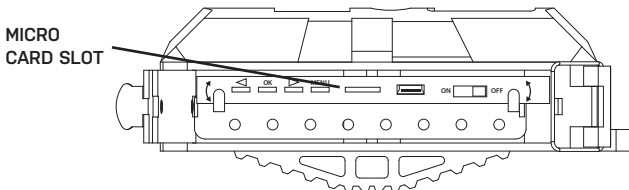




## SET UP AND OPERATION

1. Insert Micro Card (up to 32GB) into the Micro Card card slot

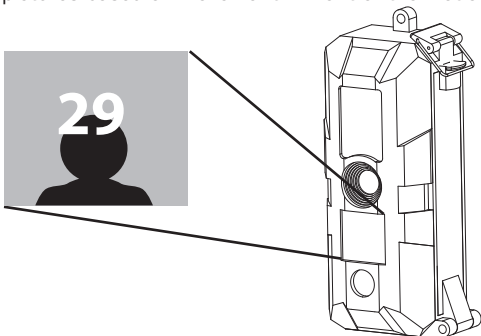
**NOTE: This device requires class 6 or above TF card. There is no programming required to set up the trail camera.**



2. Turn the trail camera on by sliding the ON/OFF switch to the ON position.

3. The camera screen should show what is in front of the lens as an image. You can test by looking directly at the lens. You should see yourself on the Preview Screen.

4. After a few seconds, you will see a countdown appear that will count down from 30 until 0. After the countdown is complete, the camera is on and taking pictures based on movement in front of the motion sensor.





## **SET UP AND OPERATION**

5. In preview screen, press the MENU button for settings. Menu settings includes DATE/TIME, DEFAULT, FORMAT, SENSITIVITY, STAMP, PHOTO SIZE, DELAY. Press the UP/DOWN buttons to select menu options, press MENU button to get back to preview screen.

### **DATE/TIME**

In DATE/TIME menu screen, press OK button to scroll between each section, to set year, month, date, hour, minutes, and seconds. Press UP/DOWN button to make changes in each section. In seconds section, press OK to save DATE/TIME and return to main menu.

### **DEFAULT**

Default will set camera back to factory settings. Under default menu option, press OK to get into default setting, press UP / DOWN to select YES /NO, select YES and press OK will set camera back to factory setting and return back to main menu.

### **FORMAT**

To Format TF card, under FORMAT menu, press OK to get into settings, press UP/DOWN to choose YES/NO, select YES and press OK to format card and return back to main menu.

### **SENSITIVITY**

Sensitivity will set the sensitivity of the PIR sensor. In SENSITIVITY menu, press OK to get into sensitivity setting, press UP/DOWN to select between, LOW/MIDDLE/HIGH press OK again to save sensitivity setting and return back to main menu.



## **STAMP**

Stamp setting is to choose whether picture taken will show stamp or not. In STAMP menu, press OK to get into settings, press UP/DOWN to choose YES/NO, press OK again to save stamp setting and return back to main menu.

## **PHOTO SIZE**

Photo Size Setting is to set resolution of the images, options are 5MP, 3MP and 2MP. In PHOTO SIZE menu, press OK to get in to PHOTO SIZE setting, press UP/DOWN to select either 5MP, 3MP or 2MP. Press OK again to save size setting and return to main menu.

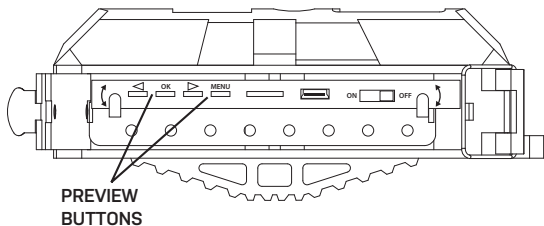
## **DELAY**

Delay setting is to set a pause period in between each picture when camera is in active motion mode. The will prevent the camera in overtaking pictures; and will also help with battery life. In DELAY menu, press OK to get into DELAY setting, press UP/DOWN to select between, 5, 10, 15, 30, seconds or 1, 3, 5, 10, 15, 30 minutes. Press OK again to save DELAY setting and return to main menu.



## VIEWING IMAGES ON CAMERA

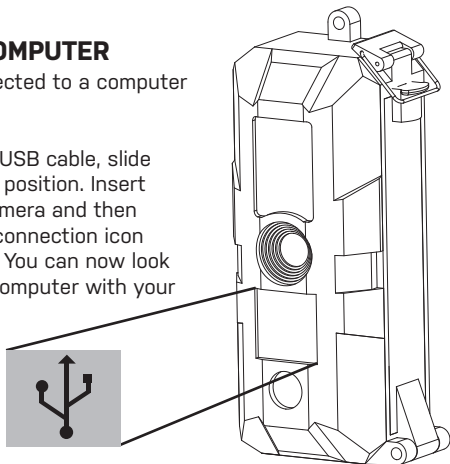
To view pictures recorded by the camera from the micro card, press down one of the Preview Buttons for a few seconds and the camera will switch into "view mode". You can advance or go back by pressing the Preview Buttons. When you are finished previewing pictures, the camera will resume normal operation after no buttons are pressed for a few seconds.



## VIEWING IMAGES ON COMPUTER

The camera can also be connected to a computer via Micro USB cable.

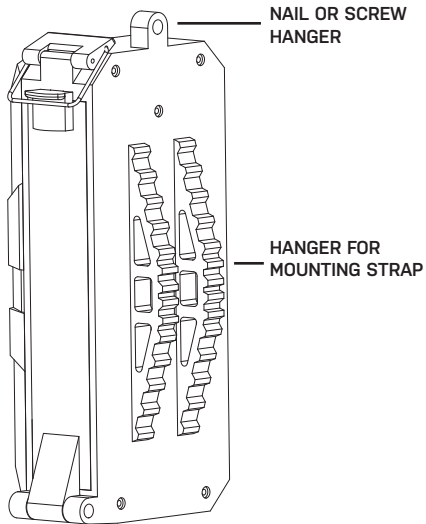
To connect to a computer via USB cable, slide the ON/OFF switch to the OFF position. Insert the Micro USB cable to the camera and then to a computer. You will see a connection icon appear on the camera screen. You can now look at pictures on your personal computer with your favorite JPEG viewer.





## MOUNTING CAMERA

Mounting can be done with the nylon strap provided or by screw or nail through the screw or nail hanger located on top of the camera.



<b>COMPONENT</b>	<b>SPECIFICATIONS</b>
Picture Size	5.0 MP* (*interpolated)
Lens Angle	45 Degrees
IR-Flash	22 IR Lights
Display Screen	1.44 TFT LCD
Memory	Micro Card up to 32GB
Operation	Day/Night/24hr
Trigger Speed	1.2 Seconds
Power Supply	8 AA Batteries
USB Cable	Micro-USB
Mounting	Tree Strap
Dimension	7in x 3in x 2in
Weight	0.67lbs

Questions or comments please call  
866.252.3811

Visit us at [www.bresserusa.com](http://www.bresserusa.com)

