

# Flat Pack Box



livingwindows

→ In your box you will have:

- ① PLY RIGHT ANGLE END x 2
- ② PLY RIGHT ANGLE SIDE x 2
- ③ PLY RIGHT ANGLE BASE x 1
- ④ 25mm WOOD SCREWS x 22
- ⑤ PLY RIGHT ANGLE HANDLE x 2

Also included:

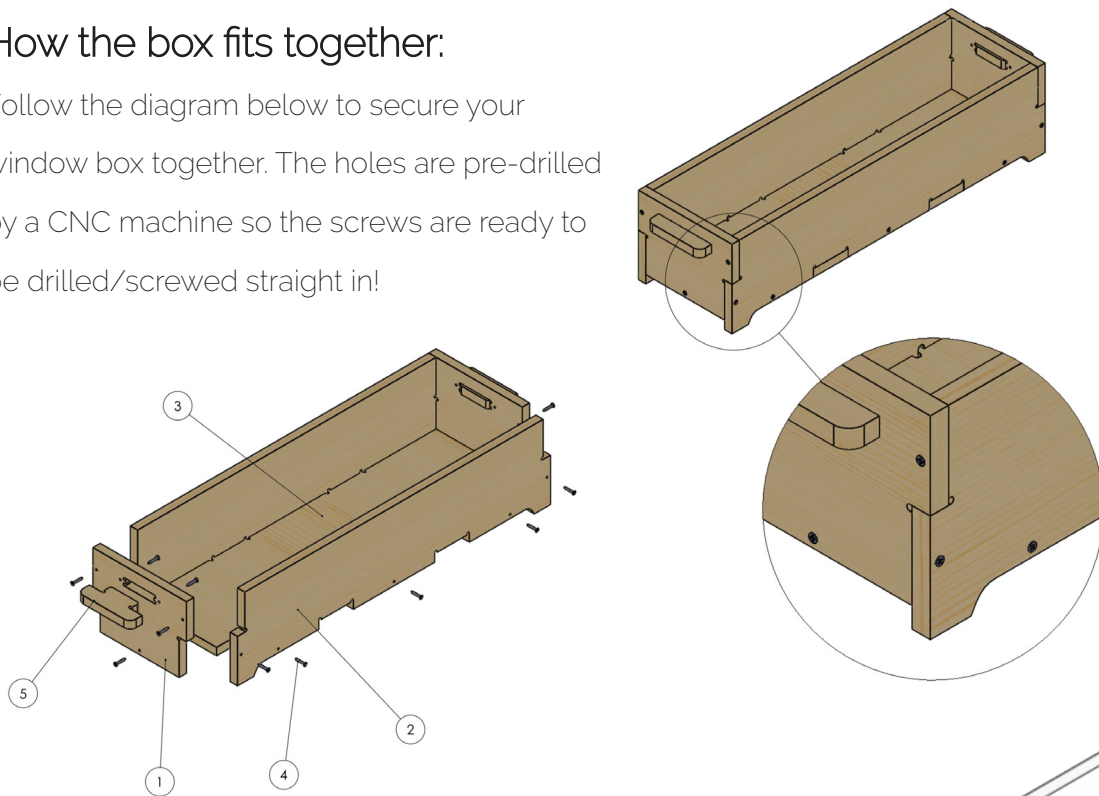
Pot of Cuprinol paint & paint brush

Screwdriver



→ How the box fits together:

Follow the diagram below to secure your window box together. The holes are pre-drilled by a CNC machine so the screws are ready to be drilled/screwed straight in!

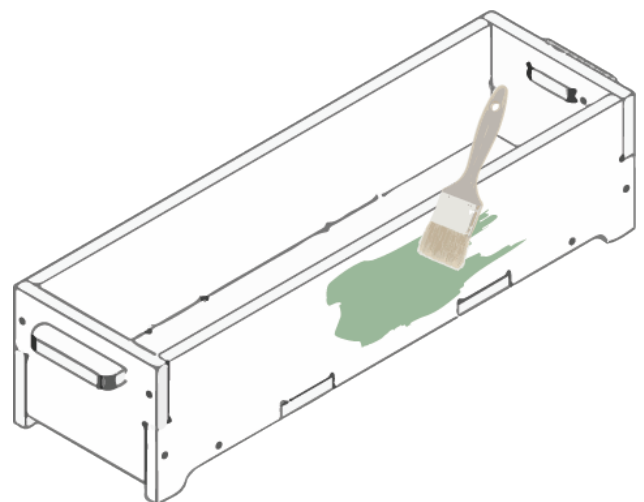


→ Painting the box

The Cuprinol paint pot of your chosen colour can be applied as soon as the box has been screwed together.

If you have sandpaper you can lightly sand the wood if there are any rough areas.

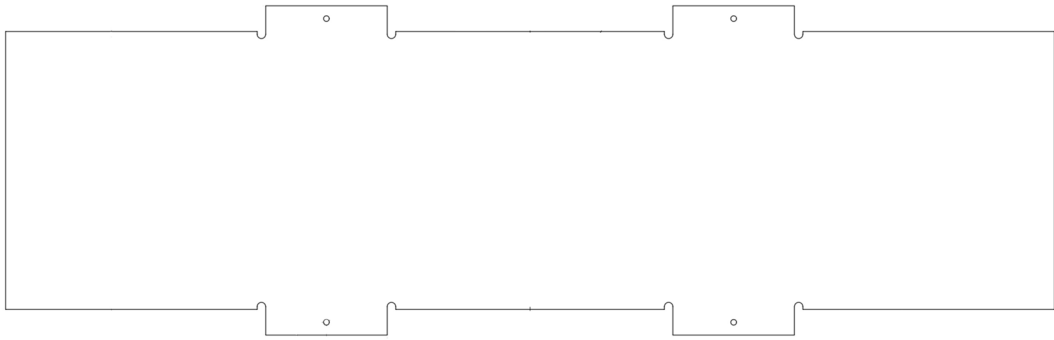
Apply the paint in long smooth strokes.



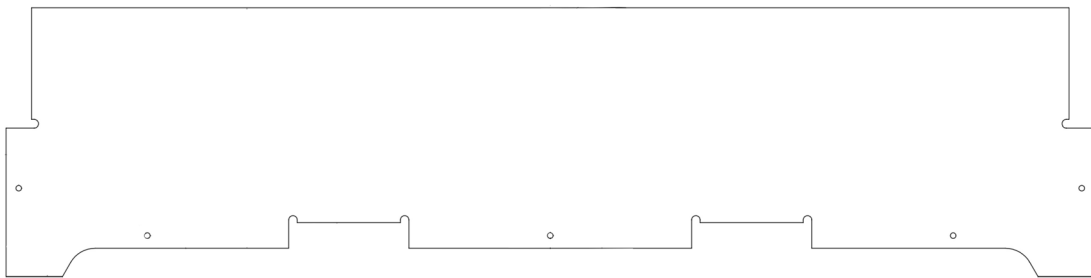
# Parts diagram



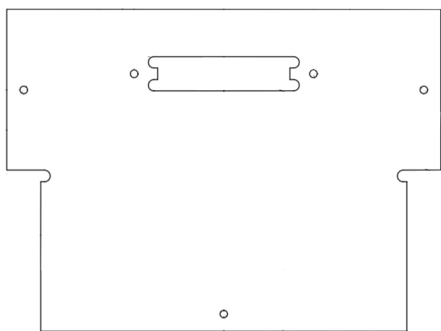
livingwindows



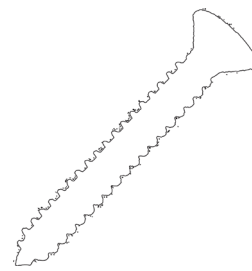
X 1



X 2



X 2



X 22



X 2