

1 x 205 ltr drums or small containers, 250kg UDL, 10kg tare weight

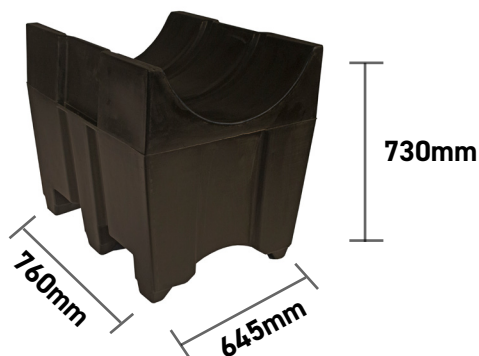
DESCRIPTION

- Manufactured from medium density polyethylene
- Steady horizontal dispensing unit
- Intended for 1 x 205ltr Drum / small containers
- Can be flipped for alternative container dispensing
- Broad range chemical compatibility
- Manufactured in the UK







SPECIFICATIONS

CODE	SBS
HEIGHT	730mm
LENGTH	760mm
WIDTH	645mm
TARE WEIGHT	10kg
UDL	250kg
PACK SIZE	6



FEATURES AND BENEFITS



-  Safer solution for steady dispensing
-  Can be combined with spill pallets & trays to catch any loose leaks, drips or spills
-  Broad range chemical compatibility
-  UV stabilised



OTHER MODELS AVAILABLE

DBC



DB4

