

## 1660mm Joining Strip

### DESCRIPTION

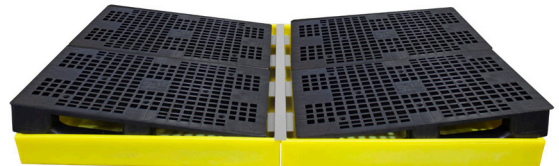
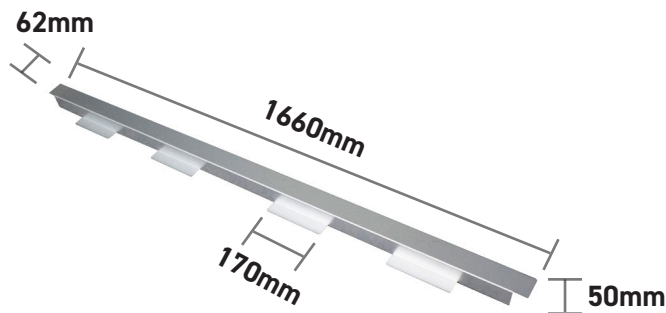
- This metal joining strip is used to cover the gap created when 2 or more poly sump floors are joined together
- Compatible with the BF2 and BF4 Sump Flooring



Joining strips are subject to change.

### SPECIFICATIONS

|                         |        |
|-------------------------|--------|
| CODE                    | BFS4   |
| HEIGHT                  | 50mm   |
| LENGTH                  | 1660mm |
| WIDTH                   | 62mm   |
| LENGTH (WINGS)          | 170mm  |
| WIDTH (WINGS (OVERALL)) | 135mm  |
| COLOUR                  | Metal  |
| WEIGHT                  | 202kg  |



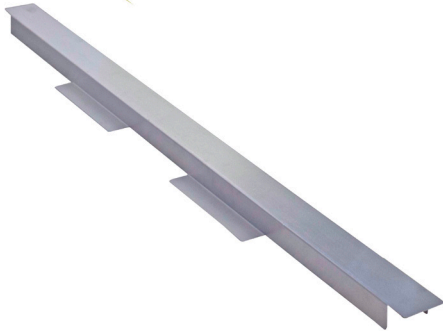
### FEATURES AND BENEFITS



- Designed to join sump flooring together creating an unlimited bunded area
- Light-weight and durable
- Easy to fit

## OTHER MODELS AVAILABLE

BFS2 - Joining Strip



BF2 - Sump Flooring



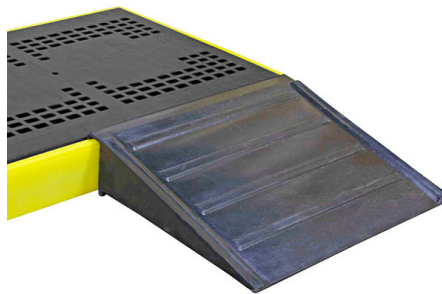
BF4 - Sump Flooring



BF4S - Sump Flooring



BFR - Ramp



BFR2 - Ramp

