

1260mm Joining Strip

DESCRIPTION

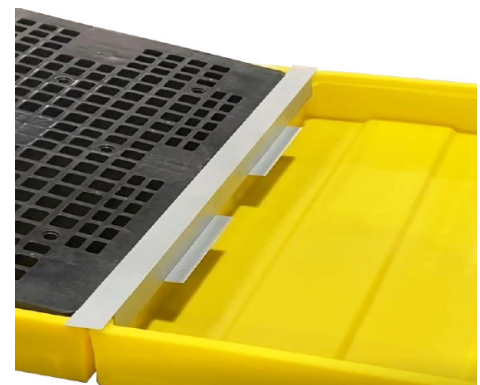
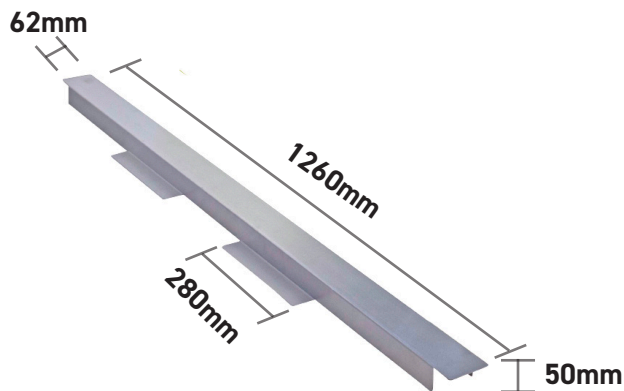
- This metal joining strip is used to cover the gap created when 2 or more poly sump floors are joined together
- Compatible with the BF2 and BF4 Sump Flooring



Joining strips are subject to change.

SPECIFICATIONS

CODE	BFS2
HEIGHT	50mm
LENGTH	1260mm
WIDTH	62mm
LENGTH (WINGS)	280mm
WIDTH (WINGS (OVERALL))	135mm
COLOUR	Metal
WEIGHT	1.7kg



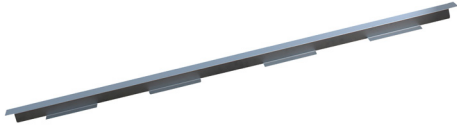
FEATURES AND BENEFITS



- Designed to join sump flooring together creating an unlimited bunded area
- Light-weight and durable
- Easy to fit

OTHER MODELS AVAILABLE

BFS4 - Joining Strip



BF2 - Sump Flooring



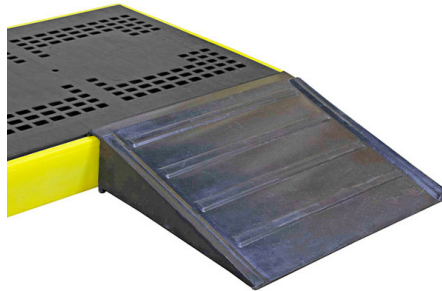
BF4 - Sump Flooring



BF4S - Sump Flooring



BFR - Ramp



BFR2 - Ramp

