

# KWT300-32

## 32 Inch Dual Mount Workstation Single Bowl Stainless Steel Kitchen Sink

# Kräus®

SPECIFICATION SHEET

### Sink Dimensions

Overall Dimensions: 31 1/4" x 20 1/2"

Bowl Dimensions: 28 1/2" x 13 7/8"

Sink Depth: 9"

### Features

- 18 Gauge Stainless Steel Construction
- 3.5mm Thick Deck
- 3/8" Radius Vertical Corners
- 3/8" Radius Corners in the Bowl for Ease of Cleaning
- Pre-drilled Soap Dispenser Hole with Provided Cover
- Dual Mount Single Bowl Sink
- Required Minimum Cabinet Size: 33" Left to Right, 24" Front to Back
- Rear Center-Set Drain
- 3 1/2" Drain Opening
- NoiseDefend Undercoating and Sound Dampening Pads

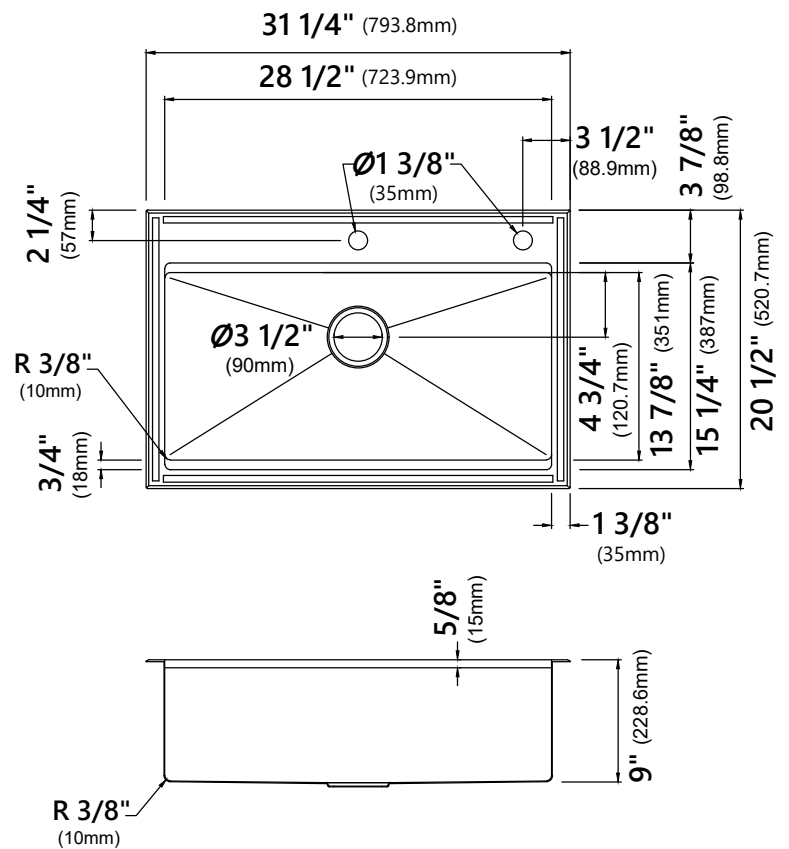
### Accessories Included

- Strainer ST-1
- Cover Cap STC-2
- Bottom Grid KBG-WST1-32
- Cutting Board KCB-WS105BB
- Colander CS-7
- Cut-Out Template
- Mounting Hardware
- Soap Dispenser Hole Cap

### CODES/STANDARDS:

#### Product Certification

cUPC (ASME A112.19.3/CSA B45.4)



**NOTE:** Maximum countertop thickness for Top Mount installation is 1 1/2".

**NOTE:** It is not recommended to install this sink with a negative reveal. Doing so will prohibit the use of any workstation accessories as they will not fit.

### Warranty

Kraus Limited Lifetime Warranty

see website for details [www.kraususa.com](http://www.kraususa.com)