

# KHF410-33

33 Inch Single Bowl Stainless  
Steel Flat Apron Front Kitchen Sink

# Kräus®

SPECIFICATION SHEET

### Sink Dimensions

Overall Dimensions: 32 7/8" x 20 3/4"

Bowl Dimensions: 30 7/8" x 17 1/4"

Sink Depth: 10"

### Features

- 16 Gauge Stainless Steel Construction
- Apron Front Single Bowl Sink
- Required Minimum Cabinet Size: 36" Left to Right, 24" Front to Back
- Rear Off Set Drain
- 3 1/2" Drain Opening
- NoiseDefend Undercoating and Sound Dampening Pads

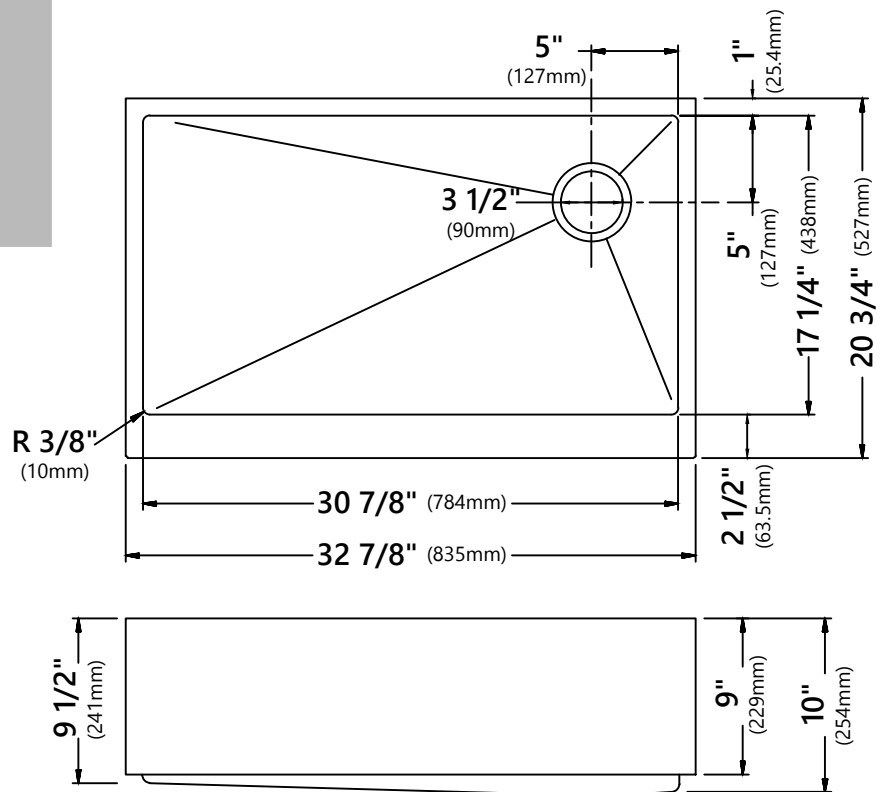
### Accessories Included

- Strainer ST-1
- Cover Cap STC-2
- Bottom Grid KBG-410-33
- Cut-Out Template
- Mounting Hardware
- Towel

### CODES/STANDARDS:

#### Product Certification

cUPC (ASME A112.19.3/CSA B45.4)



### Warranty

Kraus Limited Lifetime Warranty

see website for details [www.kraususa.com](http://www.kraususa.com)