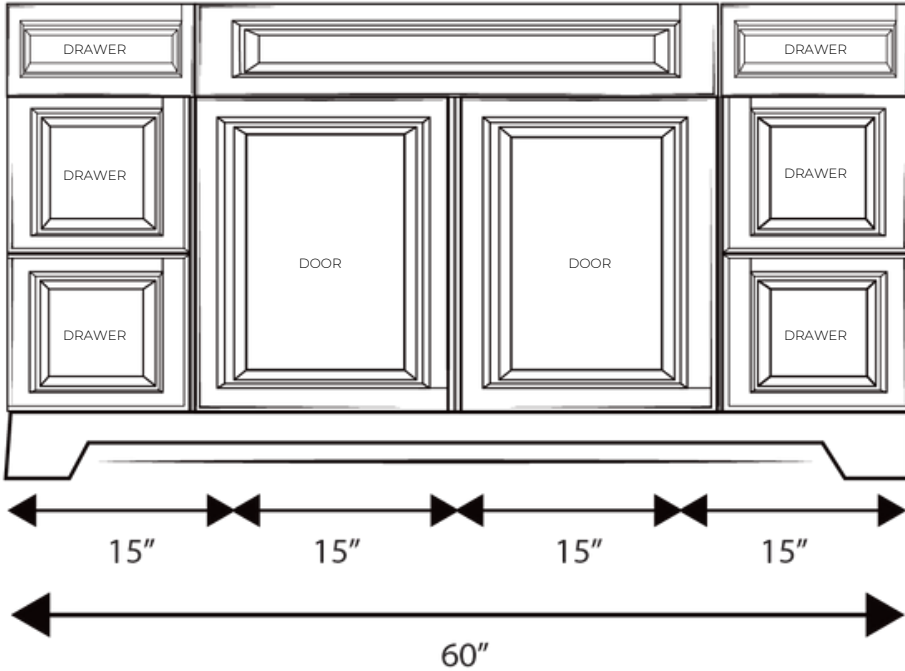
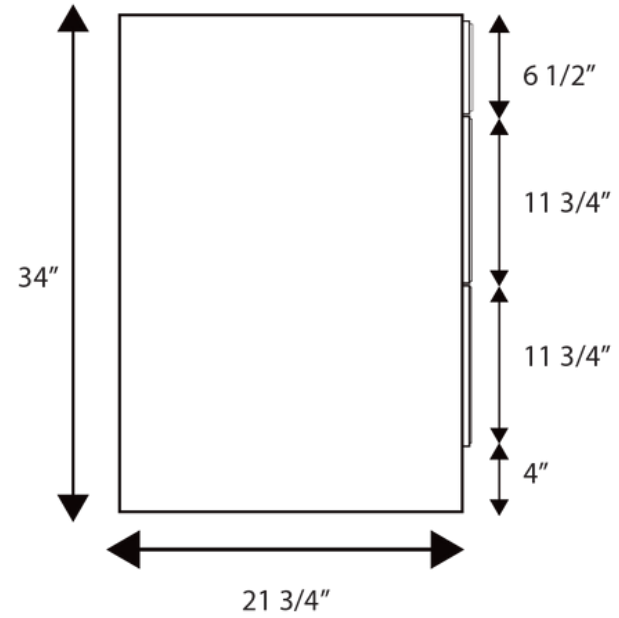


HAMP60S

FRONT VIEW



SIDE VIEW



DIMENSIONS

CABINET

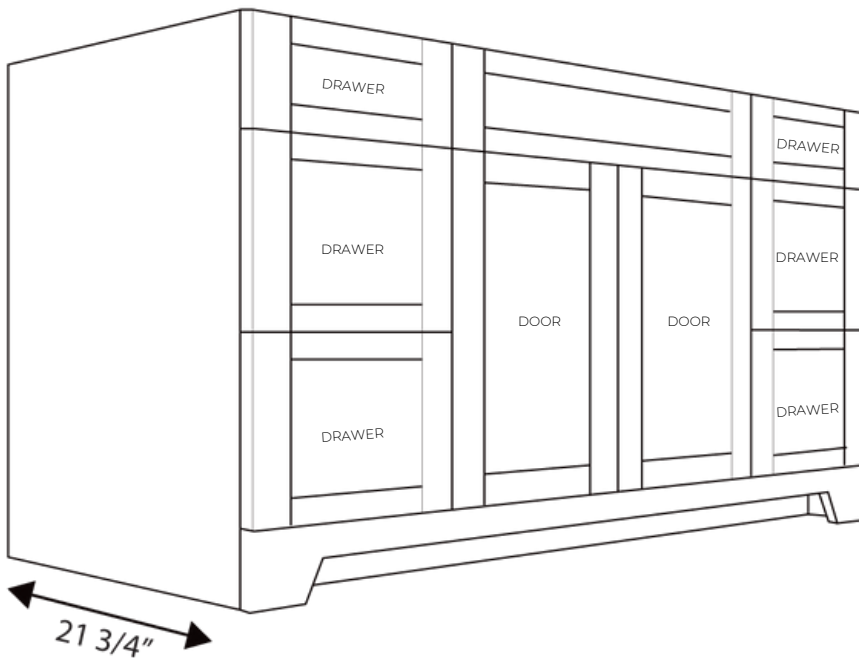
| | | |
|--------|--------|---------|
| WIDTH | 60" | 1524 mm |
| HEIGHT | 34" | 864 mm |
| DEPTH | 21.75" | 552 mm |

COUNTERTOP (2CM THICK)

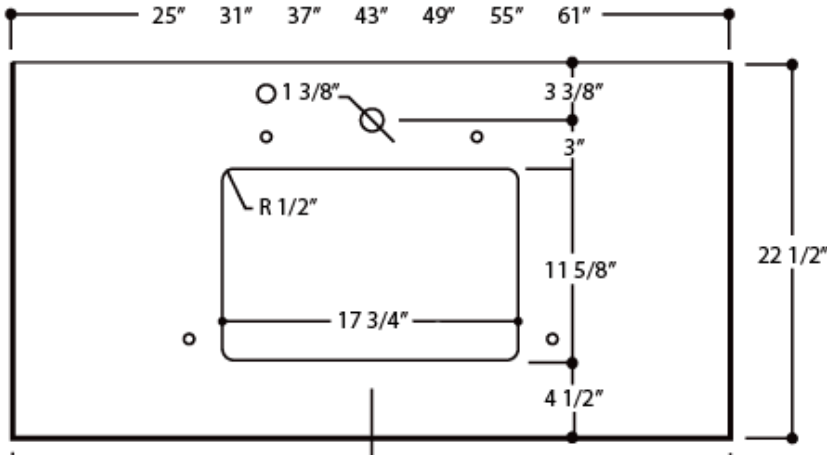
| | | |
|--------|-------|---------|
| LENGTH | 61" | 1549 mm |
| WIDTH | 22.5" | 571 mm |

SINK (INNER)

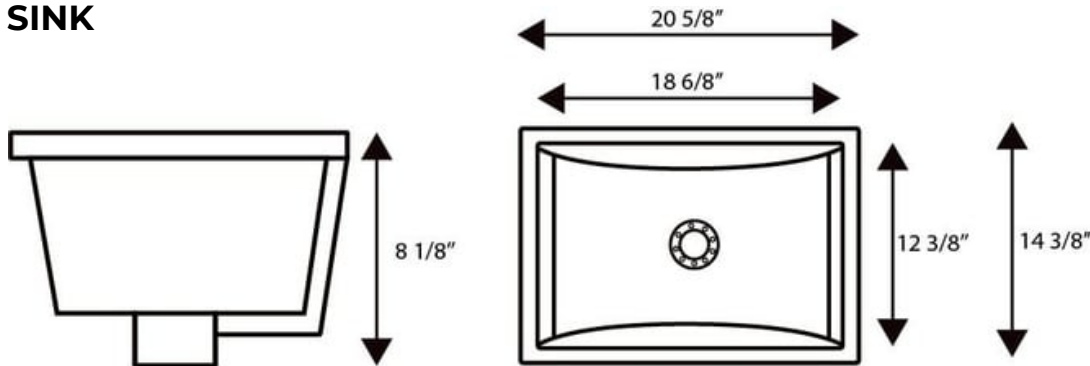
| | | |
|--------|--------|--------|
| LENGTH | 12.4" | 315 mm |
| WIDTH | 18.75" | 475 mm |
| DEPTH | 7" | 178 mm |



COUNTERTOP



SINK



FEATURES

- High-density fiberboard (HDF) cabinet
- 6 operational drawers and 2 doors
- 2cm thick premium countertop
- CUPC approved ceramic sink
- Matching quartz backsplash included
- Universal side-splash included
- 1/2" cabinet filler strip included
- Soft-close full extension drawer slides
- Dovetail drawer construction
- Recessed toe-kick
- Requires minimal assembly