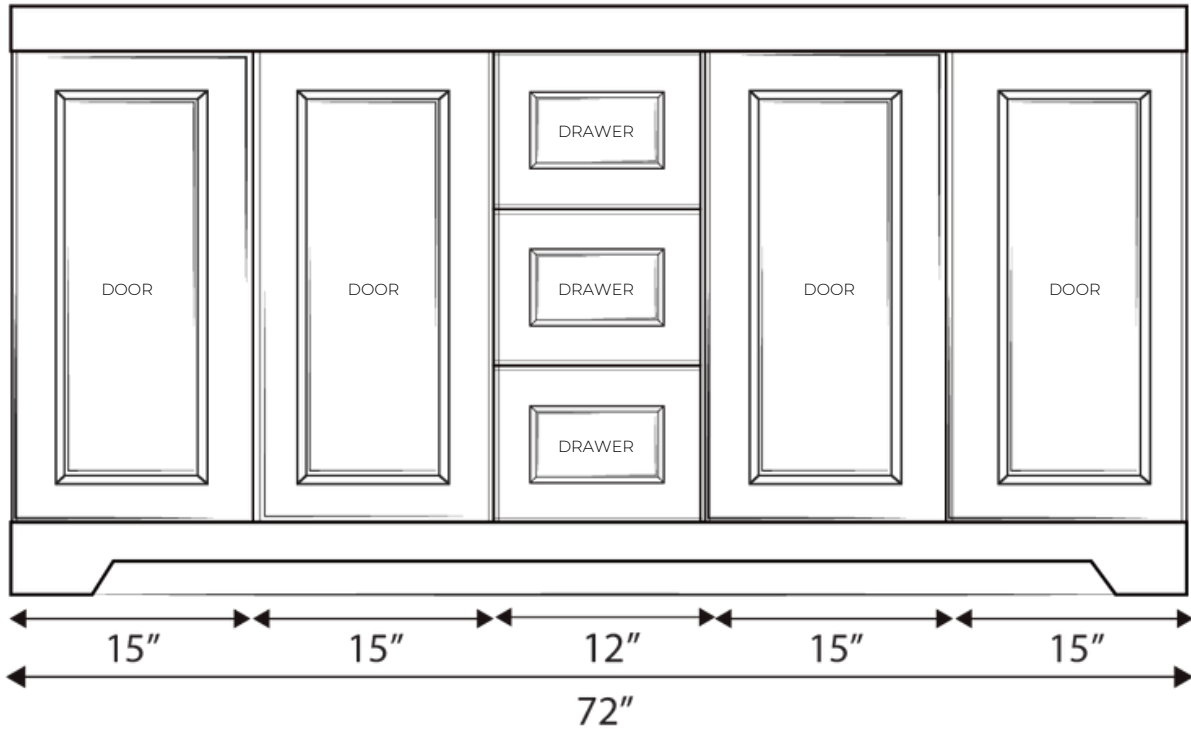
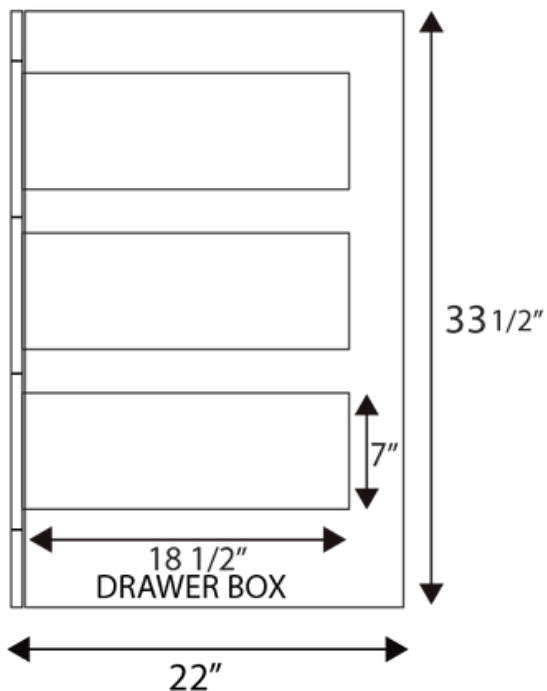


# CHST72D-MAPLE

## FRONT VIEW



## SIDE VIEW



## DIMENSIONS

### CABINET

WIDTH	72"	1829 mm
HEIGHT	33.5"	851 mm
DEPTH	22"	558 mm

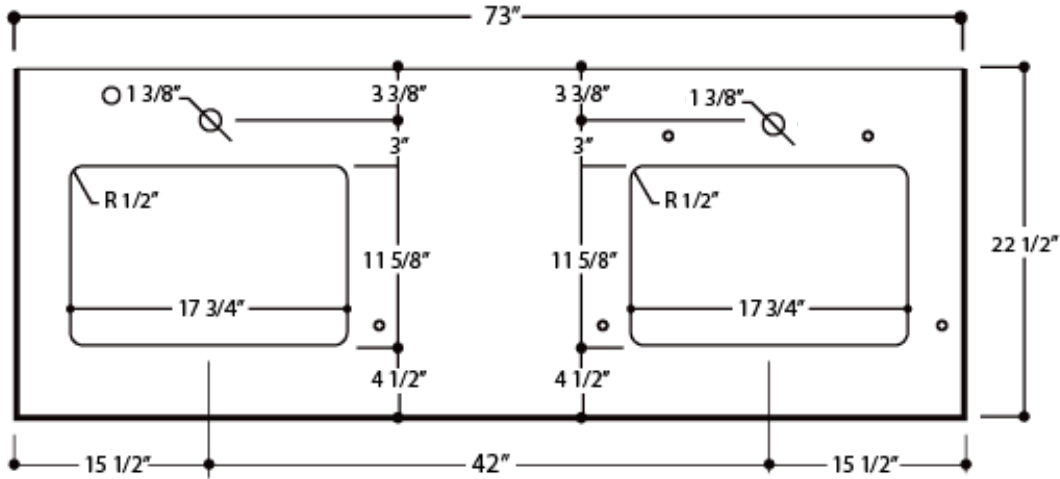
### COUNTERTOP

LENGTH	73"	1854 mm
WIDTH	22.5"	571 mm

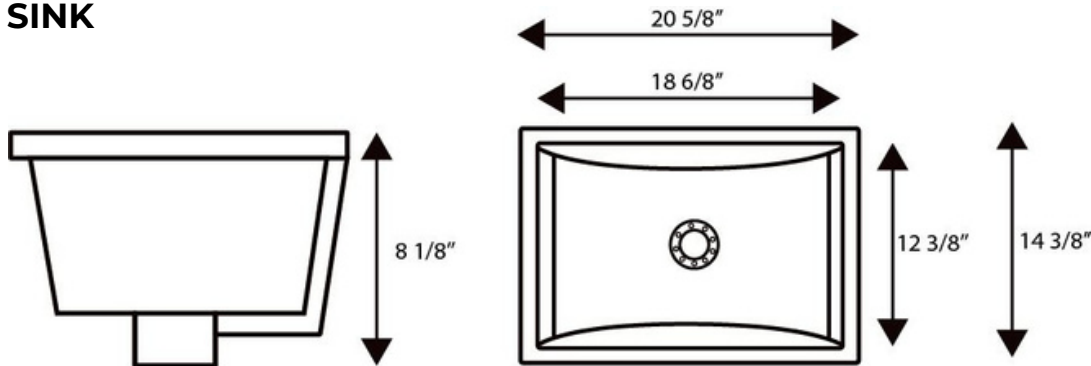
### SINK (INNER)

LENGTH	12.4"	315 mm
WIDTH	18.75"	475 mm
DEPTH	7"	178 mm

## COUNTERTOP



## SINK



## FEATURES

- Solid-wood drawers and doors
- Compressed wood cabinet box
- 3 operational drawers and 4 doors
- 2cm premium quartz countertop
- cUPC approved ceramic sinks
- Matching quartz backsplash included
- Universal side-splash included
- 1/2" cabinet filler strip included
- Wood sealed for protection
- Requires minimal assembly