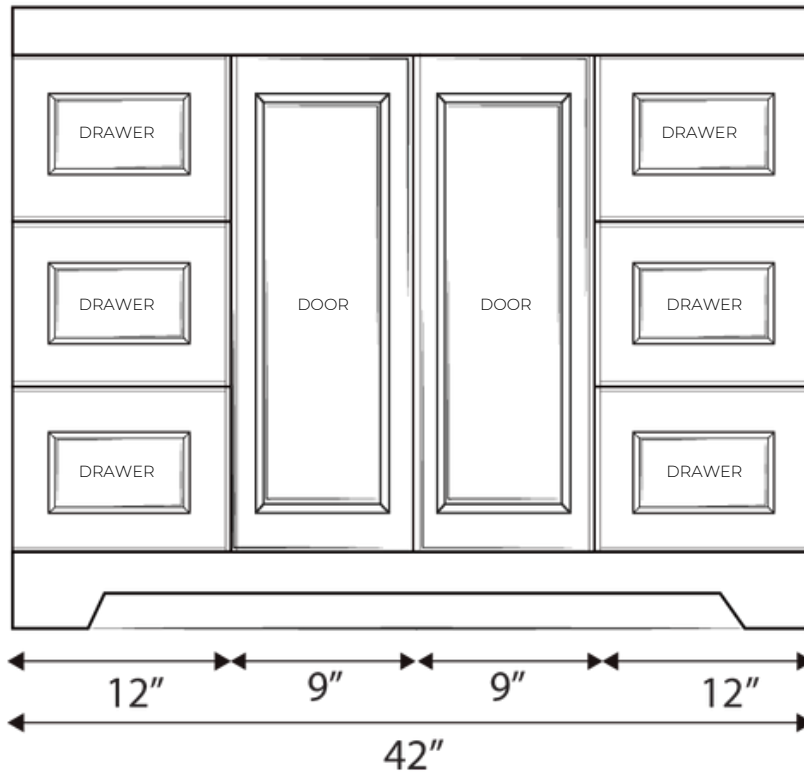
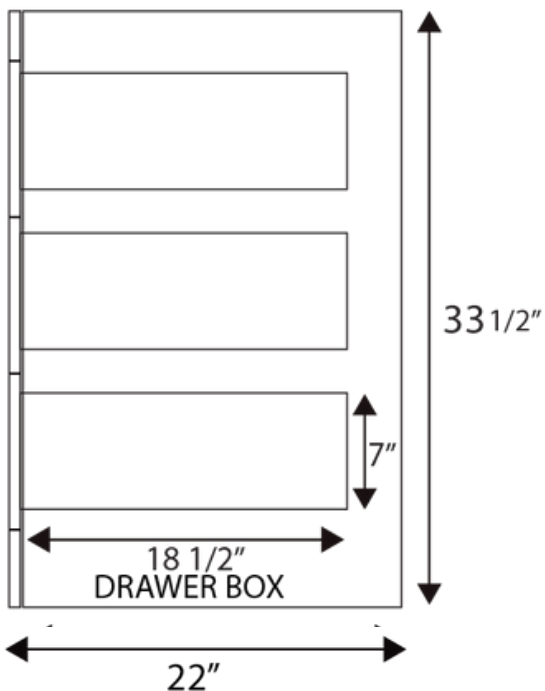


CHST42-MAPLE

FRONT VIEW



SIDE VIEW



DIMENSIONS

CABINET

| | | |
|--------|-------|---------|
| WIDTH | 42" | 1067 mm |
| HEIGHT | 33.5" | 851 mm |
| DEPTH | 22" | 558 mm |

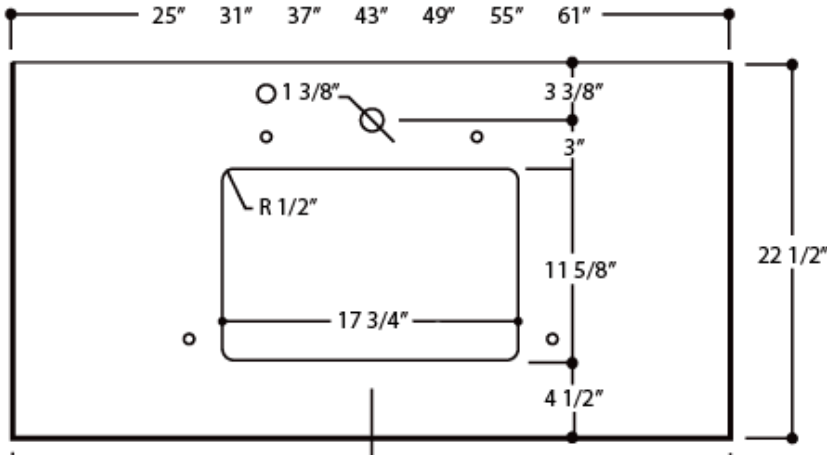
COUNTERTOP

| | | |
|--------|-------|---------|
| LENGTH | 43" | 1092 mm |
| WIDTH | 22.5" | 571 mm |

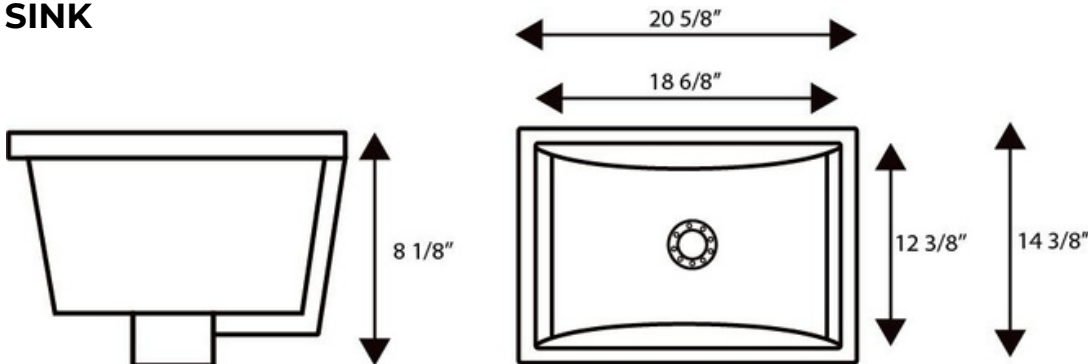
SINK (INNER)

| | | |
|--------|--------|--------|
| LENGTH | 12.4" | 315 mm |
| WIDTH | 18.75" | 475 mm |
| DEPTH | 7" | 178 mm |

COUNTERTOP



SINK



FEATURES

- Solid-wood drawers and doors
- Compressed wood cabinet box
- 6 operational drawers and 2 doors
- 2cm premium quartz countertop
- cUPC approved ceramic sink
- Matching quartz backsplash included
- Universal side-splash included
- 1/2" cabinet filler strip included
- Wood sealed for protection
- Requires minimal assembly