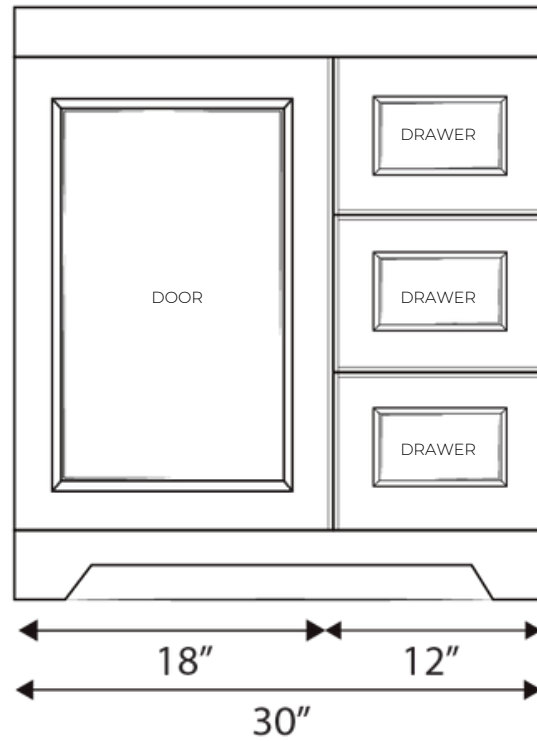
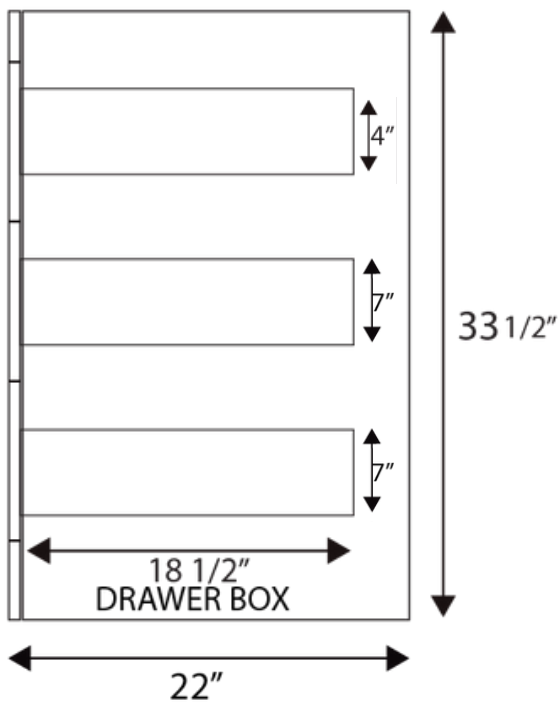


# CHST30-MAPLE

**FRONT VIEW**



**SIDE VIEW**



**DIMENSIONS**

**CABINET**

WIDTH	30"	762 mm
HEIGHT	33.5"	851 mm
DEPTH	22"	558 mm

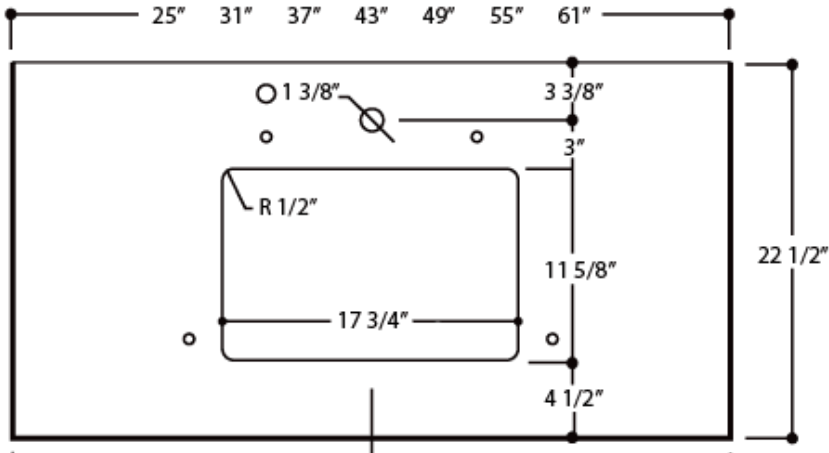
**COUNTERTOP**

LENGTH	31"	787 mm
WIDTH	22.5"	571 mm

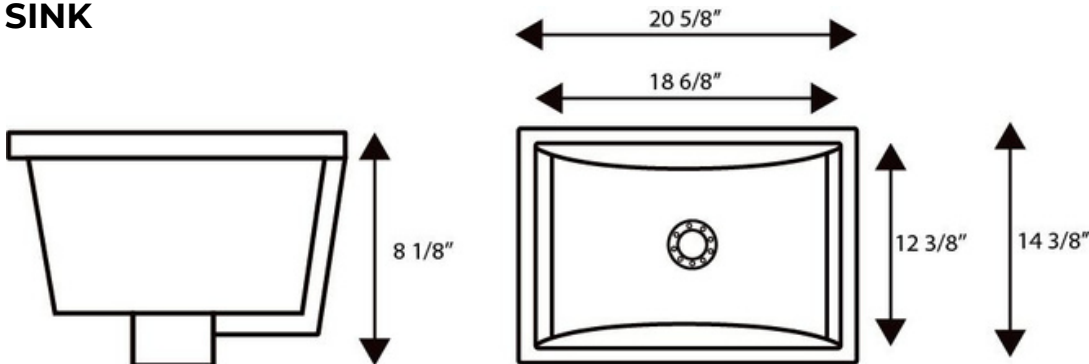
**SINK (INNER)**

LENGTH	12.4"	315 mm
WIDTH	18.75"	475 mm
DEPTH	7"	178 mm

## COUNTERTOP



## SINK



## FEATURES

- Solid-wood drawers and doors
- Compressed wood cabinet box
- 3 operational drawers and 1 door
- 2cm premium quartz countertop
- cUPC approved ceramic sink
- Matching quartz backsplash included
- Universal side-splash included
- 1/2" cabinet filler strip included
- Wood sealed for protection
- Requires minimal assembly