

# Edge Standard

## Product Guide



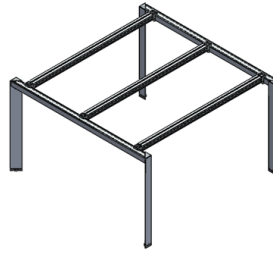
Frames



ETSD2  
Double Frame Desk



ETSD2P  
Double Frame Desk,  
Powered



ETSD3  
Triple Frame Desk



ETSD3P  
Triple Frame Desk,  
Powered



ETSE2  
Double Frame  
Extension



ETSE2P  
Double Frame  
Extension, Powered



ETSE3  
Triple Frame  
Extension



ETSE3P  
Triple Frame  
Extension, Powered



ETSR2  
Double Frame  
Return

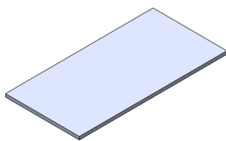


ETSR2P  
Double Frame  
Return, Powered

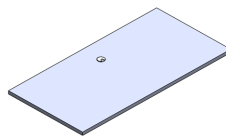


ETSR4  
Quad Frame  
Return

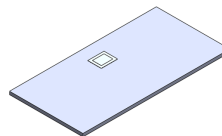
Surfaces



EWRR  
Rectangular Surface

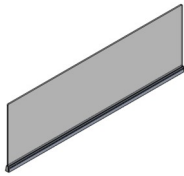


EWRRRG  
Rectangular Surface,  
Round Grommet

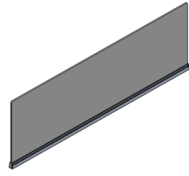


EWRRSG  
Rectangular Surface,  
Square Grommet

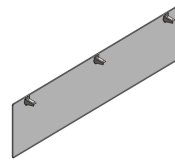
**Upmounts And Modesties**



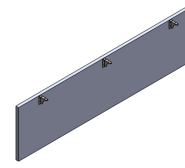
EUEA  
Upmount Extrusion,  
Acrylic



EUES  
Upmount Extrusion,  
Softscape



EMA  
Hanging Modesty,  
Acrylic

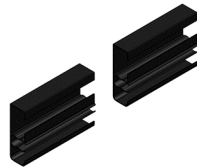


EMT  
Hanging Modesty,  
TFL

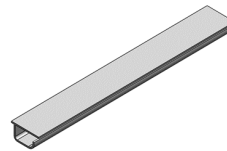
**Electrical**



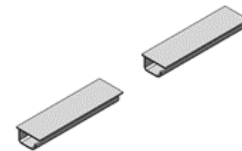
EUEA  
Upmount Extrusion,  
Acrylic



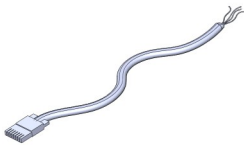
EUES  
Upmount Extrusion,  
Softscape



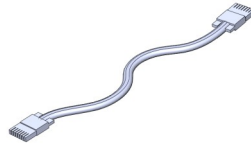
EMA  
Hanging Modesty,  
Acrylic



EMT  
Hanging Modesty,  
TFL

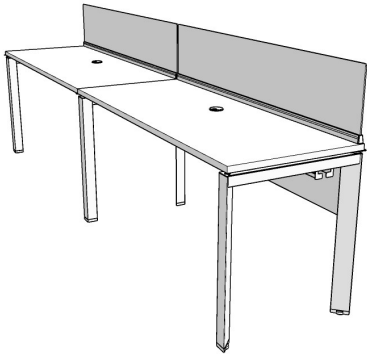


XEBF  
Base Feed Cable

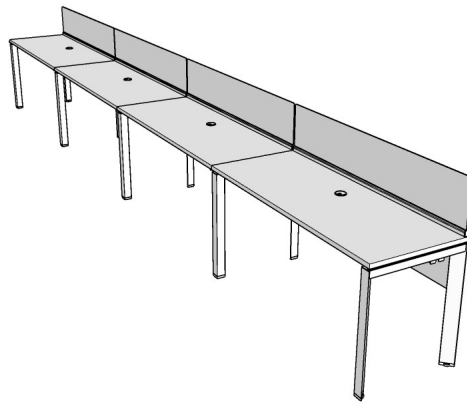


XEIC  
Interconnect Cable

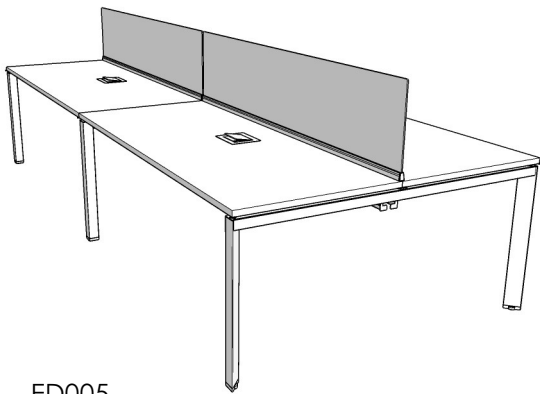
Please see [www.fluidgroup.com/finishes](http://www.fluidgroup.com/finishes) for finish details



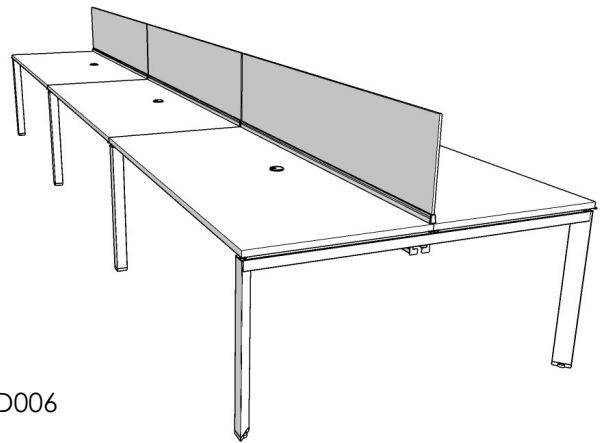
ED001



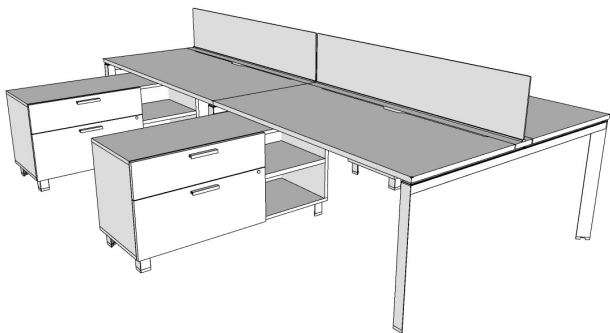
ED002



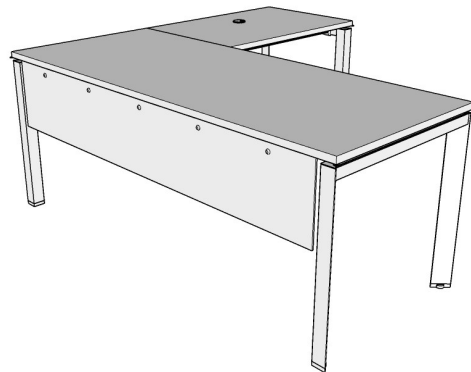
ED005



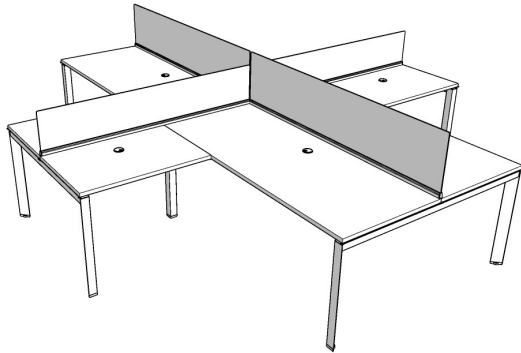
ED006



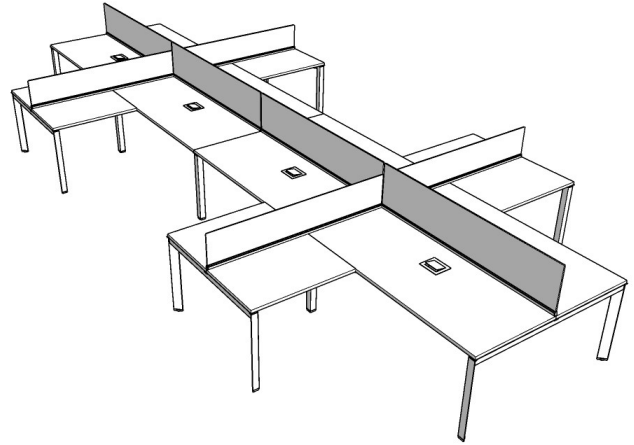
ED011



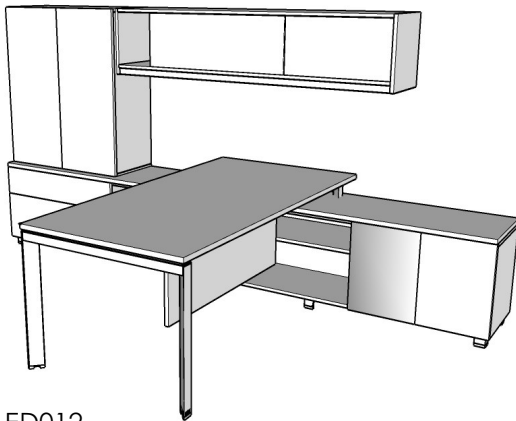
ED009



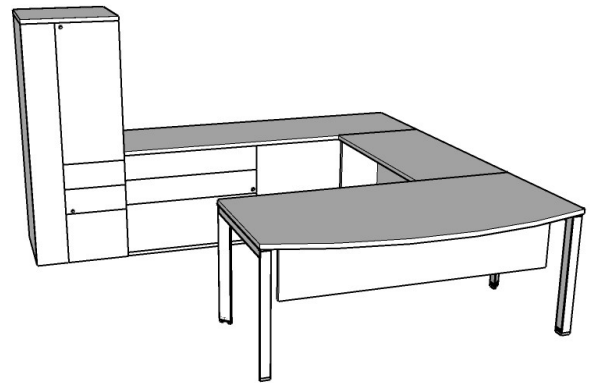
ED007



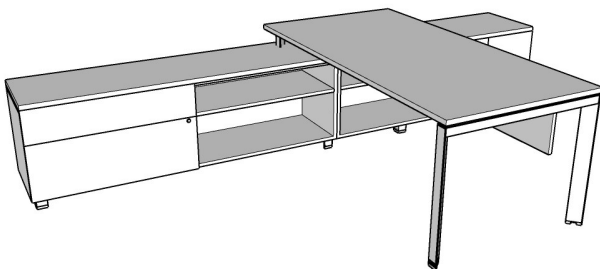
ED008



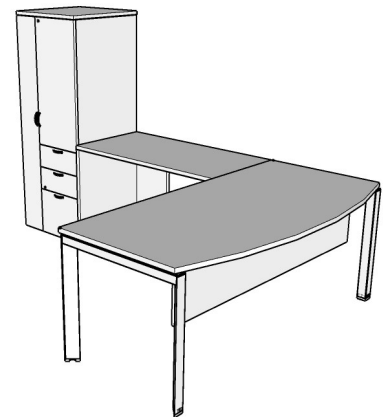
ED012



ED013



ED015



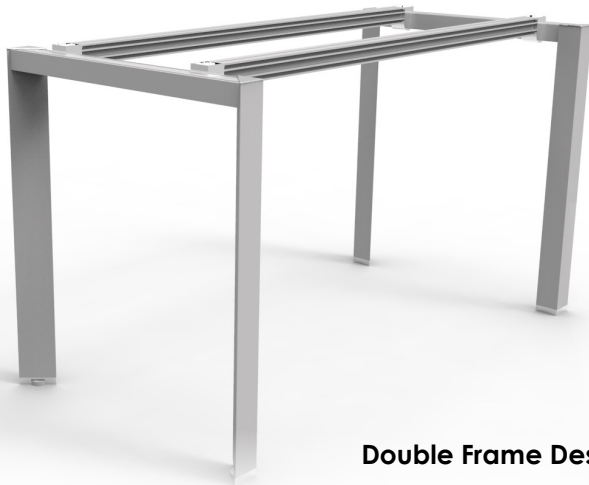
ED014



## Desk Frames

A Desk Frame can function as both an independent single desk, or the start of a consecutive run. Two pre-assembled pairs of legs are connected with structural Tie-Bars to complete the Frame. The easy to assemble and robust **Edge Desk Frames** provide function with a refined design aesthetic.

Offered in both Double and Triple frame versions, **Edge Desk Frames** can be utilized in both a single sided or double sided applications. For increased functionality in the system, powered frames are also available.



**Double Frame Desk**



**Triple Frame Desk For Back-to-Back Configurations**



## Extension Frames

Using a Desk Frame as an anchor, extension frames can be added to create consecutive runs. Expand and add-on easily. **Edge Extension Frames** include one pre-assembled pair of legs, as well as slightly longer Tie-Bars. This allows the extension frame to grab onto the legs of the previous frame, expanding the system. Using slightly longer Tie-Bars allows the frame to make up the difference lost with only one set of legs. This concept allows the user to place the same worksurface on both a **Desk** or **Extension Frame**, easing the install process.

Offered in double and triple frame versions, as well as powered and non powered options, the **Edge Extension** Frames are designed to complement the desk frames as needed.



## Desk and Extension Frames, Powered

Building off of the non-powered frames, Edge powered frames offer the same size and configuration options. To achieve power data distribution, one of the Tie-Bars is replaced with fluidconcepts' **Serviceway** channel. This robust channel delivers power and data to the user in a concealed and discrete manner.

Used in both single and double sided applications, Edge powered frames can satisfy needs in open plan areas as well as private offices. Desk frames come pre-configured in four circuit or single circuit set ups.

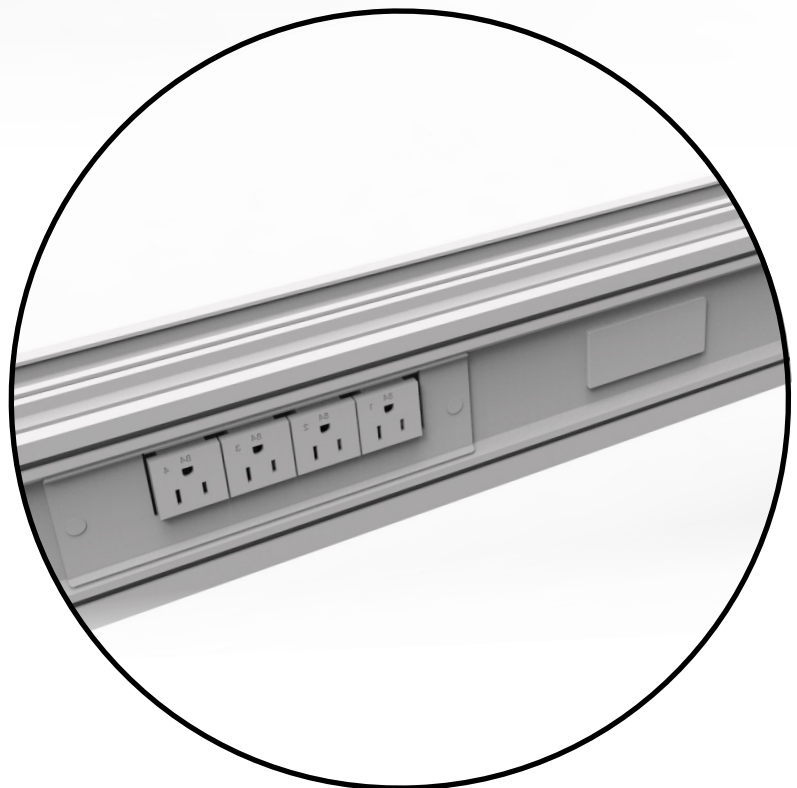


Available in Single circuit or Multi circuit configurations, A **Double Frame Desk** provides power and data on one side.

## Electrical Capacity

**Powered Desk Frames** are pre-configured with the choice of single circuit (for **Plug-in** base feed) or multi circuit (for **Hard-wire** base feed) simplexes.

It is not recommended to have more than 2 users feeding off of one Plug-in base feed. Because of this, **Powered Extension Frames** are not available in a single circuit configuration. Adding Extension Frames will increase the number of users, and therefore will require a multi circuit, **Hard-wire Base feed**.





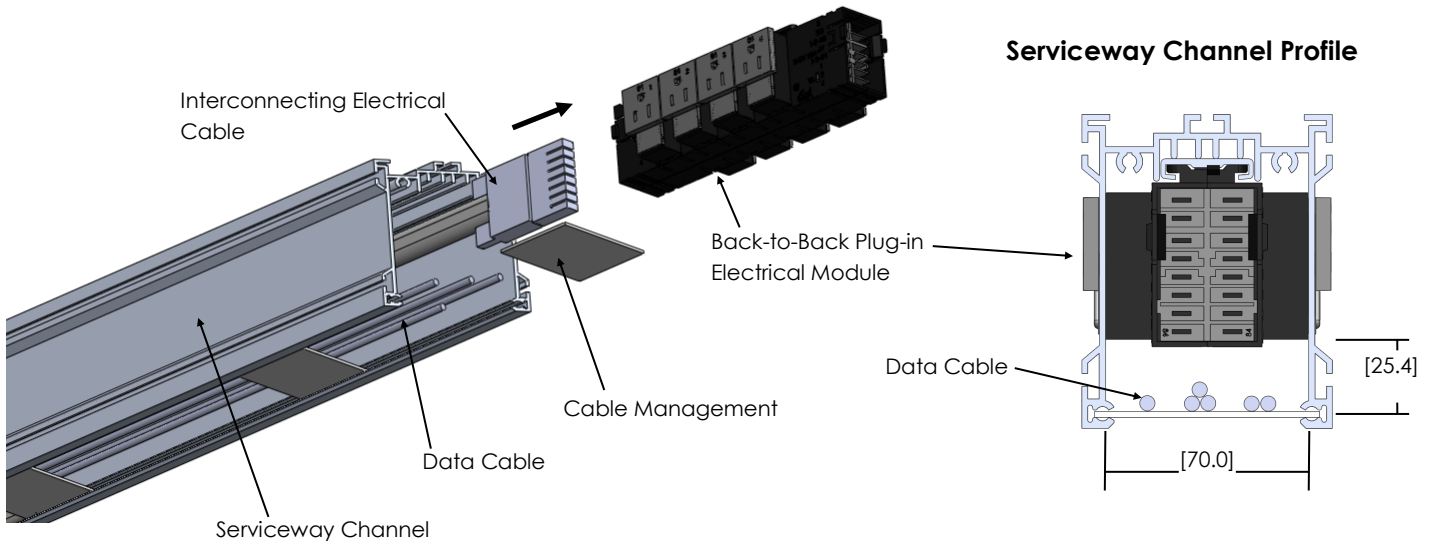
Available in Single circuit or Multi circuit configurations, a **Triple Frame Desk** provides power and data on two side.



Available in a Multi circuit configurations, a **Triple Frame Extension** provides power and data on two side.



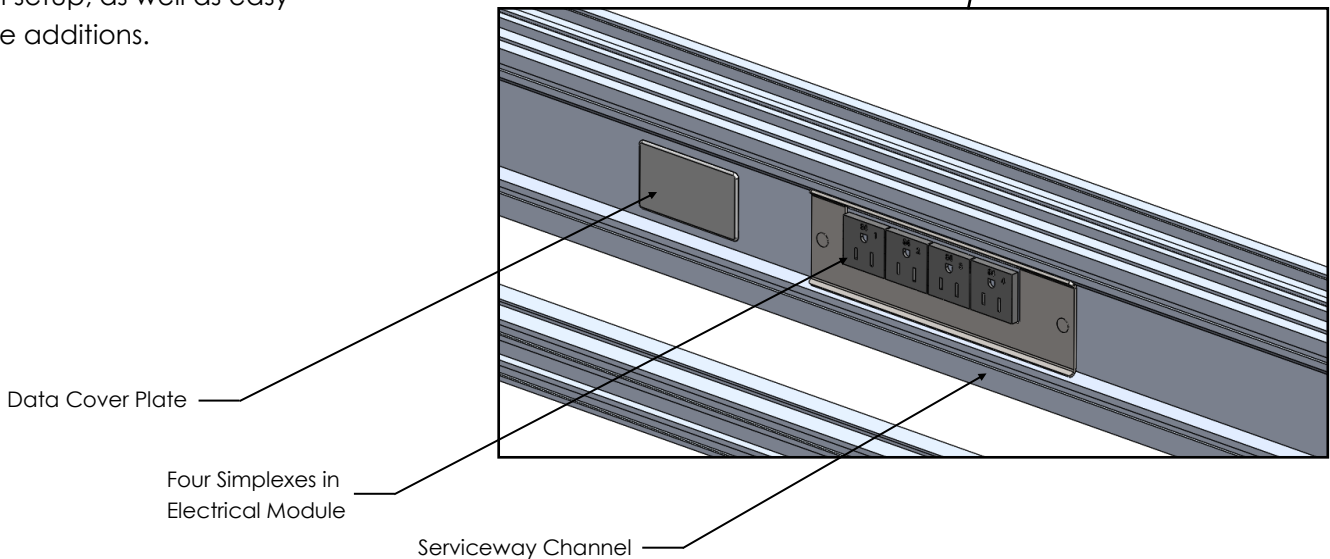
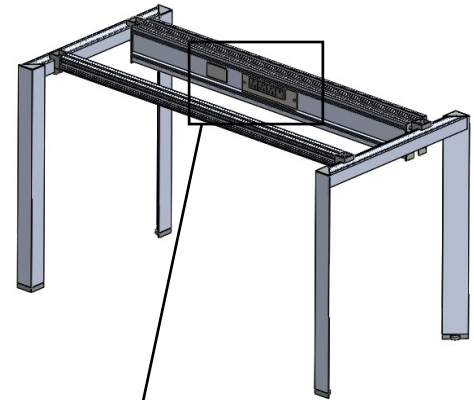
## Serviceway Electrical Channel



### Underside of Serviceway Channel

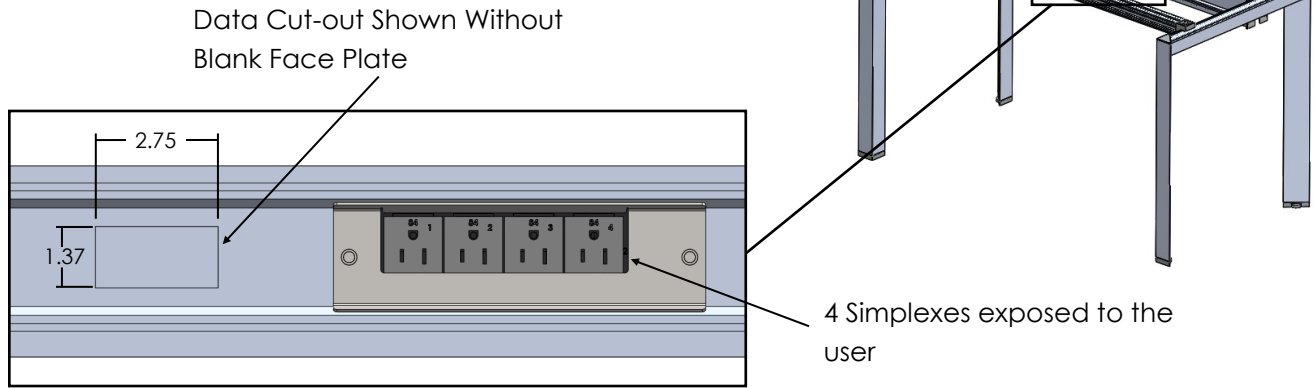
#### Electrical details

The Serviceway channel provides data and electrical distribution and access. A "plug and play" style interconnecting cable will deliver power from one station to the next. This allows for both a quick initial setup, as well as easy future additions.



### Simplex and Data Cut-out Details

The **Data Cut-out** can support various off the shelf face plates such as Decora or other competitive IT products

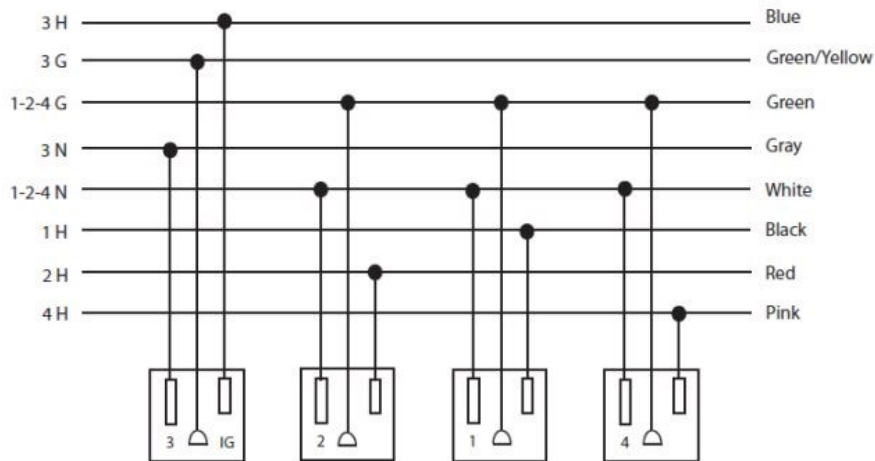


### Base Feed Information and Wiring Diagram

**Number of Simplexes per Base Feed** - An 8wire/4circuit Hardwire Base Feed will allow 20 simplexes (outlets) per circuit. Therefore, one Hardwire 8wire/4circuit Base Feed will provide power for up to twenty users, each with a single #1, #2, #3 and #4 simplex (outlet).

A Plug-in 3wire/1circuit Base Feed will follow the same logic. However, since a Plug-in Base Feed only distributes 1 circuit, the number of users is reduced. The Plug-in Base Feed will provide power for two users, each with four #1 simplexes (outlets)

**Wiring** - The diagram shown below represents the proper wiring procedure for our 8 Wire/ 4 Circuit **Hard-wired Base Feed**. In this system, the third circuit is an Isolated Ground.



## Return Frames

Further expanding the system, Return Frames offer versatility and increased work space for the end user. The **Double Frame Return** will attach to any **Desk or Extension Frame** to create a private office, managers station or expanded open plan benching.

The tie bars on a **Return Frame** are longer than desk or extension bars. The additional length allows the return to reach the tie bars within the **Desk Frame**. All standard size worksurfaces will fit on the corresponding **Return Frame**.



## Powered Return Frame

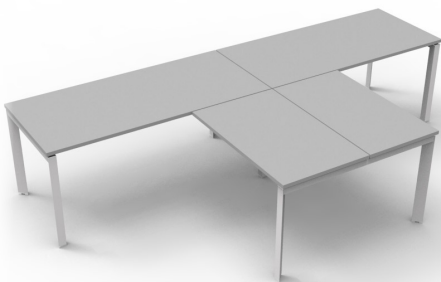
To satisfy private office and single station needs, the **Double Frame Return** is offered in a single circuit, powered configuration. For use with the **Plug-in Base** feed, the powered return delivers power and data directly to the user.



## Quad Return Frame

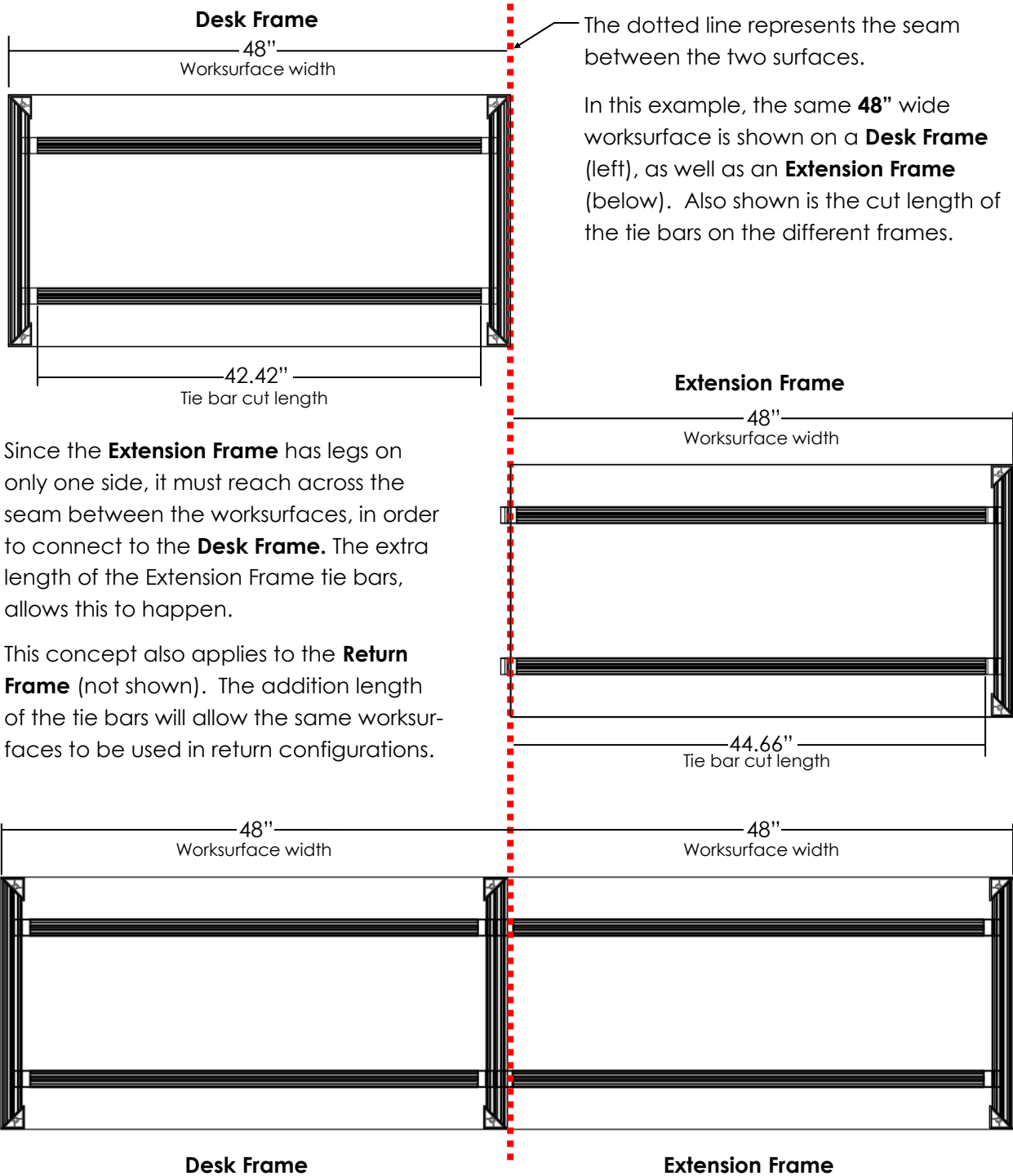
To increase workspace in an open plan setting, the **Quad Frame Return** is designed to connect with consecutive Edge frames. Neighboring return surfaces are individually supported by their own sets of tie bars.

**Double  
Frame**



**Rectangular Worksurfaces**

Edge worksurfaces are designed to be interchangeable with the frames. That is, the same worksurface will fit on a **Desk, Extension or Return Frame**. In order to use a universally sized Worksurface, the **tie bars** on the various frame styles are cut at different lengths in order to accommodate the surface. The following graphic shows how this is achieved.



Since the **Extension Frame** has legs on only one side, it must reach across the seam between the worksurfaces, in order to connect to the **Desk Frame**. The extra length of the Extension Frame tie bars, allows this to happen.

This concept also applies to the **Return Frame** (not shown). The addition length of the tie bars will allow the same worksurfaces to be used in return configurations.



### Back To Back Configurations

The same **Rectangular Worksurfaces** discussed in the previous section can also be used in back-to-back conditions. This makes the installation of open plan benching simple and easy.

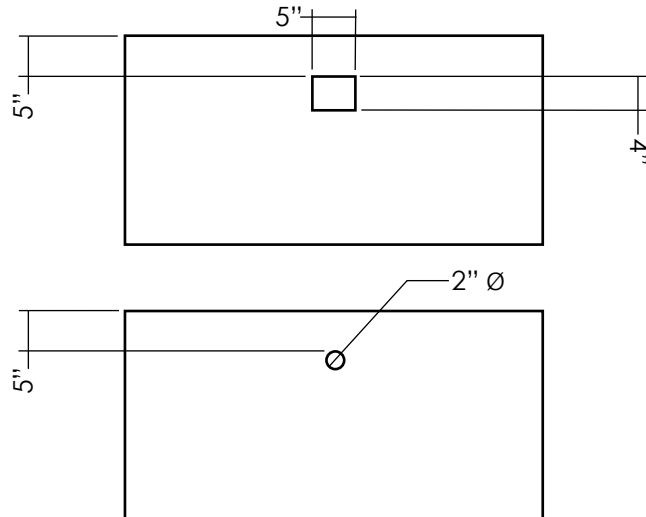
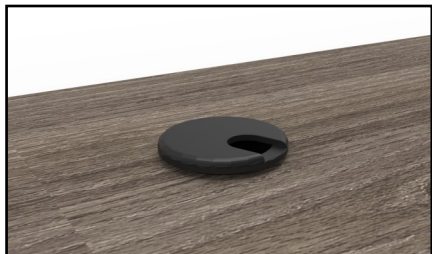
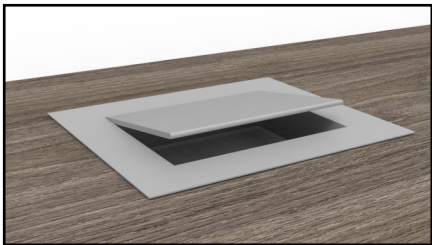
**Triple Frame Desk and Extensions**, as well as **Quad Frame Returns** are available in 48 and 60 inch depths. Two standard 24 or 30 inch depth surfaces are installed back-to-back in order to satisfy this condition.



### Grommet Options

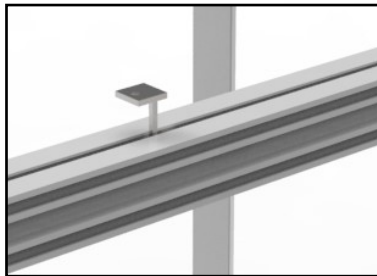
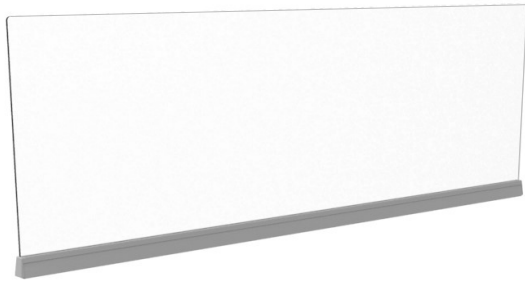
In order to access the electrical below with clean wire management, two grommet styles are available. Offered in either square or round, the grommet holes are cut **centered on the surface**. The square style grommet consists of an anodized metal insert with a flip-up access lid. The 2" round plastic grommet is offered in three colors: Black, White and Grey. Both grommet styles are available on all sizes of worksurface. To order worksurfaces with grommets included see **EWRTRG** and **EWRTSG**.

**Standard grommet hole size and locations. 24x48 surface used for example.**

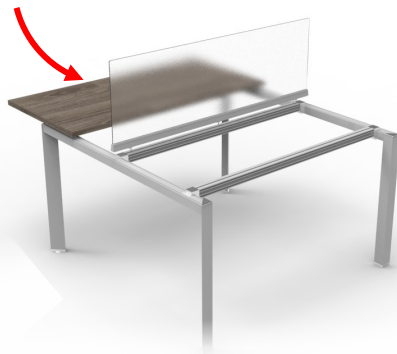
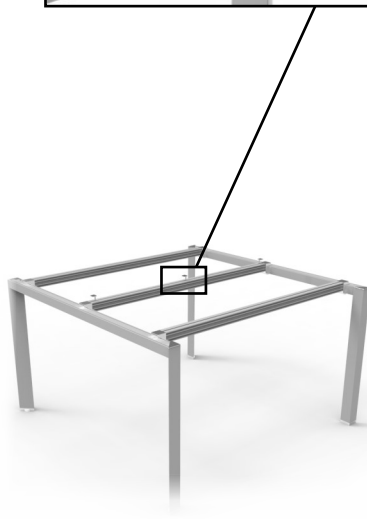


## Upmounts

**Upmounts** are designed to divide space between the users, above the worksurface. Installation is easy as they can be installed two different ways. In a single sided application, they can be screwed directly to the worksurface where needed. The offset brackets (which ship with the upmount) can be attached to the central Tie-Bar or Serviceway Channel to divide space in a back-to-back situation.

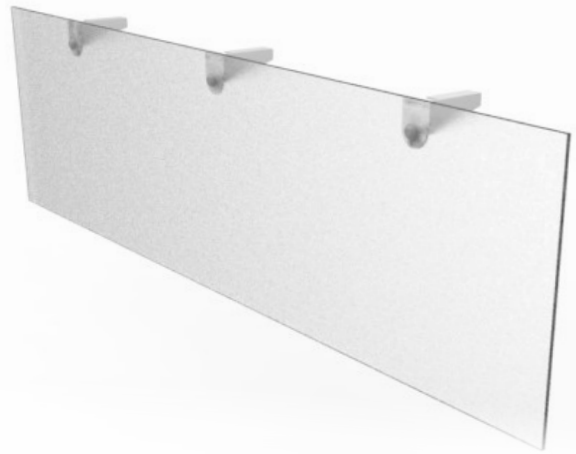


Offset brackets are installed on the center Tie-Bar or Serviceway Channel. These brackets lift the Upmount up one inch. This allows the



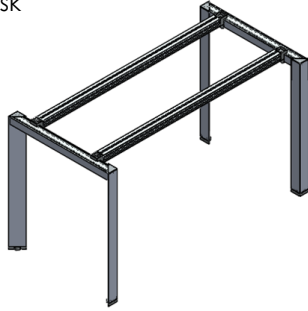
## Modesties

Offered in both a laminate or acrylic finish, the **Modesty Panel** is intended to provide user privacy in a single sided application. The hardware provided allows for installation directly to the worksurface. **Modesties** are available in 12" and 20" high, and can interact with both powered and non-powered frames.



## ETSD2

Double Frame Desk



What's Included:

Double Frame Desk (legs ship assembled), All Necessary Hardware.

Finish Options:

Please see [www.fluidgroup.com/finishes](http://www.fluidgroup.com/finishes) for finish details.

Information Required to Order:

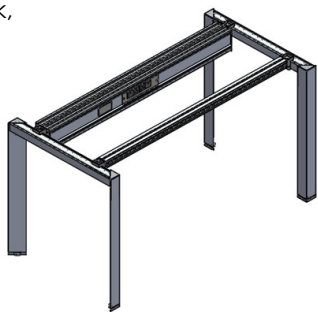
Desk Frame Code / Structures Finish.

Example: **ETSD23072/ANO** (30 x 72 Double Frame Desk - Anodized)

| Product Code | Product Description                  |
|--------------|--------------------------------------|
| ETSD22436    | Edge, Double Frame Desk, 24"D x 36"W |
| ETSD22442    | Edge, Double Frame Desk, 24"D x 42"W |
| ETSD22448    | Edge, Double Frame Desk, 24"D x 48"W |
| ETSD22454    | Edge, Double Frame Desk, 24"D x 54"W |
| ETSD22460    | Edge, Double Frame Desk, 24"D x 60"W |
| ETSD22466    | Edge, Double Frame Desk, 24"D x 66"W |
| ETSD22472    | Edge, Double Frame Desk, 24"D x 72"W |
| ETSD23036    | Edge, Double Frame Desk, 30"D x 36"W |
| ETSD23042    | Edge, Double Frame Desk, 30"D x 42"W |
| ETSD23048    | Edge, Double Frame Desk, 30"D x 48"W |
| ETSD23054    | Edge, Double Frame Desk, 30"D x 54"W |
| ETSD23060    | Edge, Double Frame Desk, 30"D x 60"W |
| ETSD23066    | Edge, Double Frame Desk, 30"D x 66"W |
| ETSD23072    | Edge, Double Frame Desk, 30"D x 72"W |

ETSD2P

Double Frame Desk,  
Powered



What's Included:

Double Frame Desk - Powered (legs ship assembled), All Necessary Hardware.

Finish Options:

Please see [www.fluidgroup.com/finishes](http://www.fluidgroup.com/finishes) for finish details.

Information Required to Order:

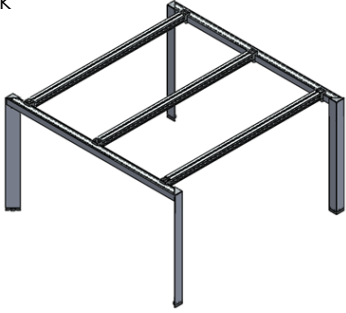
Powered Desk Frame Code / Structures Finish.

Example: **ETSD2HP3072/ANO** (30 x 72 Double Frame Desk, Powered - Anodized)

| Product Code | Product Description                                    |
|--------------|--|
| ETSD2HP2436  | Edge, Double Frame Desk, Powered Cir 1234, 24"D x 36"W |
| ETSD2HP2442  | Edge, Double Frame Desk, Powered Cir 1234, 24"D x 42"W |
| ETSD2HP2448  | Edge, Double Frame Desk, Powered Cir 1234, 24"D x 48"W |
| ETSD2HP2454  | Edge, Double Frame Desk, Powered Cir 1234, 24"D x 54"W |
| ETSD2HP2460  | Edge, Double Frame Desk, Powered Cir 1234, 24"D x 60"W |
| ETSD2HP2466  | Edge, Double Frame Desk, Powered Cir 1234, 24"D x 66"W |
| ETSD2HP2472  | Edge, Double Frame Desk, Powered Cir 1234, 24"D x 72"W |
| ETSD2HP3036  | Edge, Double Frame Desk, Powered Cir 1234, 30"D x 36"W |
| ETSD2HP3042  | Edge, Double Frame Desk, Powered Cir 1234, 30"D x 42"W |
| ETSD2HP3048  | Edge, Double Frame Desk, Powered Cir 1234, 30"D x 48"W |
| ETSD2HP3054  | Edge, Double Frame Desk, Powered Cir 1234, 30"D x 54"W |
| ETSD2HP3060  | Edge, Double Frame Desk, Powered Cir 1234, 30"D x 60"W |
| ETSD2HP3066  | Edge, Double Frame Desk, Powered Cir 1234, 30"D x 66"W |
| ETSD2HP3072  | Edge, Double Frame Desk, Powered Cir 1234, 30"D x 72"W |
| ETSD2PP2436  | Edge, Double Frame Desk, Powered Cir 1111, 24"D x 36"W |
| ETSD2PP2442  | Edge, Double Frame Desk, Powered Cir 1111, 24"D x 42"W |
| ETSD2PP2448  | Edge, Double Frame Desk, Powered Cir 1111, 24"D x 48"W |
| ETSD2PP2454  | Edge, Double Frame Desk, Powered Cir 1111, 24"D x 54"W |
| ETSD2PP2460  | Edge, Double Frame Desk, Powered Cir 1111, 24"D x 60"W |
| ETSD2PP2466  | Edge, Double Frame Desk, Powered Cir 1111, 24"D x 66"W |
| ETSD2PP2472  | Edge, Double Frame Desk, Powered Cir 1111, 24"D x 72"W |
| ETSD2PP3036  | Edge, Double Frame Desk, Powered Cir 1111, 30"D x 36"W |
| ETSD2PP3042  | Edge, Double Frame Desk, Powered Cir 1111, 30"D x 42"W |
| ETSD2PP3048  | Edge, Double Frame Desk, Powered Cir 1111, 30"D x 48"W |
| ETSD2PP3054  | Edge, Double Frame Desk, Powered Cir 1111, 30"D x 54"W |
| ETSD2PP3060  | Edge, Double Frame Desk, Powered Cir 1111, 30"D x 60"W |
| ETSD2PP3066  | Edge, Double Frame Desk, Powered Cir 1111, 30"D x 66"W |
| ETSD2PP3072  | Edge, Double Frame Desk, Powered Cir 1111, 30"D x 72"W |

## ETSD3

Triple Frame Desk



What's Included:

Triple Frame Desk (legs ship assembled), All Necessary Hardware.

Finish Options:

Please see [www.fluidgroup.com/finishes](http://www.fluidgroup.com/finishes) for finish details.

Information Required to Order:

Desk Frame Code / Structures Finish.

Example: **ETSD36072/ANO** (60 x 72 Triple Frame Desk - Anodized)

| Product Code | Product Description                  |
|--------------|--------------------------------------|
| ETSD34836    | Edge, Triple Frame Desk, 48"D x 36"W |
| ETSD34842    | Edge, Triple Frame Desk, 48"D x 42"W |
| ETSD34848    | Edge, Triple Frame Desk, 48"D x 48"W |
| ETSD34854    | Edge, Triple Frame Desk, 48"D x 54"W |
| ETSD34860    | Edge, Triple Frame Desk, 48"D x 60"W |
| ETSD34866    | Edge, Triple Frame Desk, 48"D x 66"W |
| ETSD34872    | Edge, Triple Frame Desk, 48"D x 72"W |
| ETSD36036    | Edge, Triple Frame Desk, 60"D x 36"W |
| ETSD36042    | Edge, Triple Frame Desk, 60"D x 42"W |
| ETSD36048    | Edge, Triple Frame Desk, 60"D x 48"W |
| ETSD36054    | Edge, Triple Frame Desk, 60"D x 54"W |
| ETSD36060    | Edge, Triple Frame Desk, 60"D x 60"W |
| ETSD36066    | Edge, Triple Frame Desk, 60"D x 66"W |
| ETSD36072    | Edge, Triple Frame Desk, 60"D x 72"W |



ETSD3P

Triple Frame Desk,  
Powered



What's Included:

Triple Frame Desk - Powered (legs ship assembled), All Necessary Hardware.

Finish Options:

Please see [www.fluidgroup.com/finishes](http://www.fluidgroup.com/finishes) for finish details.

Information Required to Order:

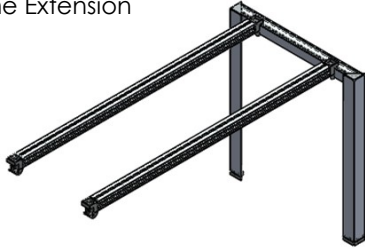
Powered Desk Frame Code / Structures Finish.

Example: **ETSD3HP6072/ANO** (60 x 72 Triple Frame Desk, Powered - Anodized)

| Product Code | Product Description                                    |
|--------------|--|
| ETSD3HP4836  | Edge, Triple Frame Desk, Powered Cir 1234, 48"D x 36"W |
| ETSD3HP4842  | Edge, Triple Frame Desk, Powered Cir 1234, 48"D x 42"W |
| ETSD3HP4848  | Edge, Triple Frame Desk, Powered Cir 1234, 48"D x 48"W |
| ETSD3HP4854  | Edge, Triple Frame Desk, Powered Cir 1234, 48"D x 54"W |
| ETSD3HP4860  | Edge, Triple Frame Desk, Powered Cir 1234, 48"D x 60"W |
| ETSD3HP4866  | Edge, Triple Frame Desk, Powered Cir 1234, 48"D x 66"W |
| ETSD3HP4872  | Edge, Triple Frame Desk, Powered Cir 1234, 48"D x 72"W |
| ETSD3HP6036  | Edge, Triple Frame Desk, Powered Cir 1234, 60"D x 36"W |
| ETSD3HP6042  | Edge, Triple Frame Desk, Powered Cir 1234, 60"D x 42"W |
| ETSD3HP6048  | Edge, Triple Frame Desk, Powered Cir 1234, 60"D x 48"W |
| ETSD3HP6054  | Edge, Triple Frame Desk, Powered Cir 1234, 60"D x 54"W |
| ETSD3HP6060  | Edge, Triple Frame Desk, Powered Cir 1234, 60"D x 60"W |
| ETSD3HP6066  | Edge, Triple Frame Desk, Powered Cir 1234, 60"D x 66"W |
| ETSD3HP6072  | Edge, Triple Frame Desk, Powered Cir 1234, 60"D x 72"W |
| ETSD3PP4836  | Edge, Triple Frame Desk, Powered Cir 1111, 48"D x 36"W |
| ETSD3PP4842  | Edge, Triple Frame Desk, Powered Cir 1111, 48"D x 42"W |
| ETSD3PP4848  | Edge, Triple Frame Desk, Powered Cir 1111, 48"D x 48"W |
| ETSD3PP4854  | Edge, Triple Frame Desk, Powered Cir 1111, 48"D x 54"W |
| ETSD3PP4860  | Edge, Triple Frame Desk, Powered Cir 1111, 48"D x 60"W |
| ETSD3PP4866  | Edge, Triple Frame Desk, Powered Cir 1111, 48"D x 66"W |
| ETSD3PP4872  | Edge, Triple Frame Desk, Powered Cir 1111, 48"D x 72"W |
| ETSD3PP6036  | Edge, Triple Frame Desk, Powered Cir 1111, 60"D x 36"W |
| ETSD3PP6042  | Edge, Triple Frame Desk, Powered Cir 1111, 60"D x 42"W |
| ETSD3PP6048  | Edge, Triple Frame Desk, Powered Cir 1111, 60"D x 48"W |
| ETSD3PP6054  | Edge, Triple Frame Desk, Powered Cir 1111, 60"D x 54"W |
| ETSD3PP6060  | Edge, Triple Frame Desk, Powered Cir 1111, 60"D x 60"W |
| ETSD3PP6066  | Edge, Triple Frame Desk, Powered Cir 1111, 60"D x 66"W |
| ETSD3PP6072  | Edge, Triple Frame Desk, Powered Cir 1111, 60"D x 72"W |

## ETSE2

Double Frame Extension



What's Included:

Double Frame Extension (legs ship assembled), All Necessary Hardware.

Finish Options:

Please see [www.fluidgroup.com/finishes](http://www.fluidgroup.com/finishes) for finish details.

Information Required to Order:

Extension Frame Code / Structures Finish.

Example: **ETSE23072/ANO** (30 x 72 Double Frame Extension - Anodized)

| Product Code | Product Description                       |
|--------------|---|
| ETSE22436    | Edge, Double Frame Extension, 24"D x 36"W |
| ETSE22442    | Edge, Double Frame Extension, 24"D x 42"W |
| ETSE22448    | Edge, Double Frame Extension, 24"D x 48"W |
| ETSE22454    | Edge, Double Frame Extension, 24"D x 54"W |
| ETSE22460    | Edge, Double Frame Extension, 24"D x 60"W |
| ETSE22466    | Edge, Double Frame Extension, 24"D x 66"W |
| ETSE22472    | Edge, Double Frame Extension, 24"D x 72"W |
| ETSE23036    | Edge, Double Frame Extension, 30"D x 36"W |
| ETSE23042    | Edge, Double Frame Extension, 30"D x 42"W |
| ETSE23048    | Edge, Double Frame Extension, 30"D x 48"W |
| ETSE23054    | Edge, Double Frame Extension, 30"D x 54"W |
| ETSE23060    | Edge, Double Frame Extension, 30"D x 60"W |
| ETSE23066    | Edge, Double Frame Extension, 30"D x 66"W |
| ETSE23072    | Edge, Double Frame Extension, 30"D x 72"W |

ETSE2P

Double Frame Extension,  
Powered



What's Included:

Double Frame Extension - Powered (legs ship assembled), All Necessary Hardware.

Finish Options:

Please see [www.fluidgroup.com/finishes](http://www.fluidgroup.com/finishes) for finish details.

Information Required to Order:

Powered Extension Frame Code / Structures Finish.

Example: **ETSE2HP3072/ANO** (30 x 72 Double Frame Extension, Powered - Anodized)

| Product Code | Product Description   |
|--------------|---|
| ETSE2HP2436  | Edge, Double Frame Extension, Powered Cir 1234, 24"D x 36"W |
| ETSE2HP2442  | Edge, Double Frame Extension, Powered Cir 1234, 24"D x 42"W |
| ETSE2HP2448  | Edge, Double Frame Extension, Powered Cir 1234, 24"D x 48"W |
| ETSE2HP2454  | Edge, Double Frame Extension, Powered Cir 1234, 24"D x 54"W |
| ETSE2HP2460  | Edge, Double Frame Extension, Powered Cir 1234, 24"D x 60"W |
| ETSE2HP2466  | Edge, Double Frame Extension, Powered Cir 1234, 24"D x 66"W |
| ETSE2HP2472  | Edge, Double Frame Extension, Powered Cir 1234, 24"D x 72"W |
| ETSE2HP3036  | Edge, Double Frame Extension, Powered Cir 1234, 30"D x 36"W |
| ETSE2HP3042  | Edge, Double Frame Extension, Powered Cir 1234, 30"D x 42"W |
| ETSE2HP3048  | Edge, Double Frame Extension, Powered Cir 1234, 30"D x 48"W |
| ETSE2HP3054  | Edge, Double Frame Extension, Powered Cir 1234, 30"D x 54"W |
| ETSE2HP3060  | Edge, Double Frame Extension, Powered Cir 1234, 30"D x 60"W |
| ETSE2HP3066  | Edge, Double Frame Extension, Powered Cir 1234, 30"D x 66"W |
| ETSE2HP3072  | Edge, Double Frame Extension, Powered Cir 1234, 30"D x 72"W |
| ETSE2PP2436  | Edge, Double Frame Extension, Powered Cir 1111, 24"D x 36"W |
| ETSE2PP2442  | Edge, Double Frame Extension, Powered Cir 1111, 24"D x 42"W |
| ETSE2PP2448  | Edge, Double Frame Extension, Powered Cir 1111, 24"D x 48"W |
| ETSE2PP2454  | Edge, Double Frame Extension, Powered Cir 1111, 24"D x 54"W |
| ETSE2PP2460  | Edge, Double Frame Extension, Powered Cir 1111, 24"D x 60"W |
| ETSE2PP2466  | Edge, Double Frame Extension, Powered Cir 1111, 24"D x 66"W |
| ETSE2PP2472  | Edge, Double Frame Extension, Powered Cir 1111, 24"D x 72"W |
| ETSE2PP3036  | Edge, Double Frame Extension, Powered Cir 1111, 30"D x 36"W |
| ETSE2PP3042  | Edge, Double Frame Extension, Powered Cir 1111, 30"D x 42"W |
| ETSE2PP3048  | Edge, Double Frame Extension, Powered Cir 1111, 30"D x 48"W |
| ETSE2PP3054  | Edge, Double Frame Extension, Powered Cir 1111, 30"D x 54"W |
| ETSE2PP3060  | Edge, Double Frame Extension, Powered Cir 1111, 30"D x 60"W |
| ETSE2PP3066  | Edge, Double Frame Extension, Powered Cir 1111, 30"D x 66"W |
| ETSE2PP3072  | Edge, Double Frame Extension, Powered Cir 1111, 30"D x 72"W |

## ETSE3

Triple Frame Extension



What's Included:

Triple Frame Extension (legs ship assembled), All Necessary Hardware.

Finish Options:

Please see [www.fluidgroup.com/finishes](http://www.fluidgroup.com/finishes) for finish details.

Information Required to Order:

Extension Frame Code / Structures Finish.

Example: **ETSE36072/ANO** (60 x 72 Triple Frame Extension - Anodized)

| Product Code | Product Description                       |
|--------------|---|
| ETSE34836    | Edge, Triple Frame Extension, 48"D x 36"W |
| ETSE34842    | Edge, Triple Frame Extension, 48"D x 42"W |
| ETSE34848    | Edge, Triple Frame Extension, 48"D x 48"W |
| ETSE34854    | Edge, Triple Frame Extension, 48"D x 54"W |
| ETSE34860    | Edge, Triple Frame Extension, 48"D x 60"W |
| ETSE34866    | Edge, Triple Frame Extension, 48"D x 66"W |
| ETSE34872    | Edge, Triple Frame Extension, 48"D x 72"W |
| ETSE36036    | Edge, Triple Frame Extension, 60"D x 36"W |
| ETSE36042    | Edge, Triple Frame Extension, 60"D x 42"W |
| ETSE36048    | Edge, Triple Frame Extension, 60"D x 48"W |
| ETSE36054    | Edge, Triple Frame Extension, 60"D x 54"W |
| ETSE36060    | Edge, Triple Frame Extension, 60"D x 60"W |
| ETSE36066    | Edge, Triple Frame Extension, 60"D x 66"W |
| ETSE36072    | Edge, Triple Frame Extension, 60"D x 72"W |

ETSE3P

Triple Frame Extension,  
Powered



What's Included:

Triple Frame Extension - Powered (legs ship assembled), All Necessary Hardware.

Finish Options:

Please see [www.fluidgroup.com/finishes](http://www.fluidgroup.com/finishes) for finish details.

Information Required to Order:

Powered Extension Frame Code / Structures Finish.

Example: **ETSE2HP6072/ANO** (60 x 72 Triple Frame Extension, Powered - Anodized)

| Product Code | Product Description   |
|--------------|---|
| ETSE3HP4836  | Edge, Triple Frame Extension, Powered Cir 1234, 48"D x 36"W |
| ETSE3HP4842  | Edge, Triple Frame Extension, Powered Cir 1234, 48"D x 42"W |
| ETSE3HP4848  | Edge, Triple Frame Extension, Powered Cir 1234, 48"D x 48"W |
| ETSE3HP4854  | Edge, Triple Frame Extension, Powered Cir 1234, 48"D x 54"W |
| ETSE3HP4860  | Edge, Triple Frame Extension, Powered Cir 1234, 48"D x 60"W |
| ETSE3HP4866  | Edge, Triple Frame Extension, Powered Cir 1234, 48"D x 66"W |
| ETSE3HP4872  | Edge, Triple Frame Extension, Powered Cir 1234, 48"D x 72"W |
| ETSE3HP6036  | Edge, Triple Frame Extension, Powered Cir 1234, 60"D x 36"W |
| ETSE3HP6042  | Edge, Triple Frame Extension, Powered Cir 1234, 60"D x 42"W |
| ETSE3HP6048  | Edge, Triple Frame Extension, Powered Cir 1234, 60"D x 48"W |
| ETSE3HP6054  | Edge, Triple Frame Extension, Powered Cir 1234, 60"D x 54"W |
| ETSE3HP6060  | Edge, Triple Frame Extension, Powered Cir 1234, 60"D x 60"W |
| ETSE3HP6066  | Edge, Triple Frame Extension, Powered Cir 1234, 60"D x 66"W |
| ETSE3HP6072  | Edge, Triple Frame Extension, Powered Cir 1234, 60"D x 72"W |
| ETSE3PP4836  | Edge, Triple Frame Extension, Powered Cir 1111, 48"D x 36"W |
| ETSE3PP4842  | Edge, Triple Frame Extension, Powered Cir 1111, 48"D x 42"W |
| ETSE3PP4848  | Edge, Triple Frame Extension, Powered Cir 1111, 48"D x 48"W |
| ETSE3PP4854  | Edge, Triple Frame Extension, Powered Cir 1111, 48"D x 54"W |
| ETSE3PP4860  | Edge, Triple Frame Extension, Powered Cir 1111, 48"D x 60"W |
| ETSE3PP4866  | Edge, Triple Frame Extension, Powered Cir 1111, 48"D x 66"W |
| ETSE3PP4872  | Edge, Triple Frame Extension, Powered Cir 1111, 48"D x 72"W |
| ETSE3PP6036  | Edge, Triple Frame Extension, Powered Cir 1111, 60"D x 36"W |
| ETSE3PP6042  | Edge, Triple Frame Extension, Powered Cir 1111, 60"D x 42"W |
| ETSE3PP6048  | Edge, Triple Frame Extension, Powered Cir 1111, 60"D x 48"W |
| ETSE3PP6054  | Edge, Triple Frame Extension, Powered Cir 1111, 60"D x 54"W |
| ETSE3PP6060  | Edge, Triple Frame Extension, Powered Cir 1111, 60"D x 60"W |
| ETSE3PP6066  | Edge, Triple Frame Extension, Powered Cir 1111, 60"D x 66"W |
| ETSE3PP6072  | Edge, Triple Frame Extension, Powered Cir 1111, 60"D x 72"W |

## ETSR2

Double Frame Return



What's Included:

Double Frame Return (legs ship assembled), All Necessary Hardware.

Finish Options:

Please see [www.fluidgroup.com/finishes](http://www.fluidgroup.com/finishes) for finish details.

Information Required to Order:

Return Frame Code / Structures Finish.

Example: **ETSR22448/ANO** (24 x 48 Double Frame Return - Anodized)

| Product Code | Product Description                    |
|--------------|--|
| ETSR22436    | Edge, Double Frame Return, 24"D x 36"W |
| ETSR22442    | Edge, Double Frame Return, 24"D x 42"W |
| ETSR22448    | Edge, Double Frame Return, 24"D x 48"W |
| ETSR22454    | Edge, Double Frame Return, 24"D x 54"W |
| ETSR22460    | Edge, Double Frame Return, 24"D x 60"W |
| ETSR22466    | Edge, Double Frame Return, 24"D x 66"W |
| ETSR22472    | Edge, Double Frame Return, 24"D x 72"W |
| ETSR23036    | Edge, Double Frame Return, 30"D x 36"W |
| ETSR23042    | Edge, Double Frame Return, 30"D x 42"W |
| ETSR23048    | Edge, Double Frame Return, 30"D x 48"W |
| ETSR23054    | Edge, Double Frame Return, 30"D x 54"W |
| ETSR23060    | Edge, Double Frame Return, 30"D x 60"W |
| ETSR23066    | Edge, Double Frame Return, 30"D x 66"W |
| ETSR23072    | Edge, Double Frame Return, 30"D x 72"W |



ETSR2P

Double Frame Return,  
Powered



What's Included:

Double Frame Return - Powered (legs ship assembled), All Necessary Hardware.

Finish Options:

Please see [www.fluidgroup.com/finishes](http://www.fluidgroup.com/finishes) for finish details.

Information Required to Order:

Powered Return Frame Code / Structures Finish.

Example: **ETSE2HP6072/ANO** (60 x 72 Triple Frame Extension, Powered - Anodized)

| Product Code | Product Description                                      |
|--------------|--|
| ETSR2HP2436  | Edge, Double Frame Return, Powered Cir 1234, 24"D x 36"W |
| ETSR2HP2442  | Edge, Double Frame Return, Powered Cir 1234, 24"D x 42"W |
| ETSR2HP2448  | Edge, Double Frame Return, Powered Cir 1234, 24"D x 48"W |
| ETSR2HP2454  | Edge, Double Frame Return, Powered Cir 1234, 24"D x 54"W |
| ETSR2HP2460  | Edge, Double Frame Return, Powered Cir 1234, 24"D x 60"W |
| ETSR2HP2466  | Edge, Double Frame Return, Powered Cir 1234, 24"D x 66"W |
| ETSR2HP2472  | Edge, Double Frame Return, Powered Cir 1234, 24"D x 72"W |
| ETSR2HP3036  | Edge, Double Frame Return, Powered Cir 1234, 30"D x 36"W |
| ETSR2HP3042  | Edge, Double Frame Return, Powered Cir 1234, 30"D x 42"W |
| ETSR2HP3048  | Edge, Double Frame Return, Powered Cir 1234, 30"D x 48"W |
| ETSR2HP3054  | Edge, Double Frame Return, Powered Cir 1234, 30"D x 54"W |
| ETSR2HP3060  | Edge, Double Frame Return, Powered Cir 1234, 30"D x 60"W |
| ETSR2HP3066  | Edge, Double Frame Return, Powered Cir 1234, 30"D x 66"W |
| ETSR2HP3072  | Edge, Double Frame Return, Powered Cir 1234, 30"D x 72"W |
| ETSR2PP2436  | Edge, Double Frame Return, Powered Cir 1111, 24"D x 36"W |
| ETSR2PP2442  | Edge, Double Frame Return, Powered Cir 1111, 24"D x 42"W |
| ETSR2PP2448  | Edge, Double Frame Return, Powered Cir 1111, 24"D x 48"W |
| ETSR2PP2454  | Edge, Double Frame Return, Powered Cir 1111, 24"D x 54"W |
| ETSR2PP2460  | Edge, Double Frame Return, Powered Cir 1111, 24"D x 60"W |
| ETSR2PP2466  | Edge, Double Frame Return, Powered Cir 1111, 24"D x 66"W |
| ETSR2PP2472  | Edge, Double Frame Return, Powered Cir 1111, 24"D x 72"W |
| ETSR2PP3036  | Edge, Double Frame Return, Powered Cir 1111, 30"D x 36"W |
| ETSR2PP3042  | Edge, Double Frame Return, Powered Cir 1111, 30"D x 42"W |
| ETSR2PP3048  | Edge, Double Frame Return, Powered Cir 1111, 30"D x 48"W |
| ETSR2PP3054  | Edge, Double Frame Return, Powered Cir 1111, 30"D x 54"W |
| ETSR2PP3060  | Edge, Double Frame Return, Powered Cir 1111, 30"D x 60"W |
| ETSR2PP3066  | Edge, Double Frame Return, Powered Cir 1111, 30"D x 66"W |
| ETSR2PP3072  | Edge, Double Frame Return, Powered Cir 1111, 30"D x 72"W |

## ETSR4

Quad Frame Return



What's Included:

Quad Frame Return (legs ship assembled), All Necessary Hardware.

Finish Options:

Please see [www.fluidgroup.com/finishes](http://www.fluidgroup.com/finishes) for finish details.

Information Required to Order:

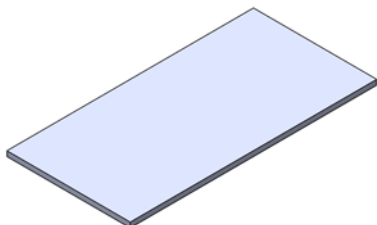
Quad Frame Code / Structures Finish.

Example: **ETSR22448/ANO** (24 x 48 Double Frame Return - Anodized)

| Product Code | Product Description                  |
|--------------|--------------------------------------|
| ETSR44836    | Edge, Quad Frame Return, 48"D x 36"W |
| ETSR44842    | Edge, Quad Frame Return, 48"D x 42"W |
| ETSR44848    | Edge, Quad Frame Return, 48"D x 48"W |
| ETSR44854    | Edge, Quad Frame Return, 48"D x 54"W |
| ETSR44860    | Edge, Quad Frame Return, 48"D x 60"W |
| ETSR44866    | Edge, Quad Frame Return, 48"D x 66"W |
| ETSR44872    | Edge, Quad Frame Return, 48"D x 72"W |
| ETSR46036    | Edge, Quad Frame Return, 60"D x 36"W |
| ETSR46042    | Edge, Quad Frame Return, 60"D x 42"W |
| ETSR46048    | Edge, Quad Frame Return, 60"D x 48"W |
| ETSR46054    | Edge, Quad Frame Return, 60"D x 54"W |
| ETSR46060    | Edge, Quad Frame Return, 60"D x 60"W |
| ETSR46066    | Edge, Quad Frame Return, 60"D x 66"W |
| ETSR46072    | Edge, Quad Frame Return, 60"D x 72"W |

EWRT

Rectangular Worksurface



What's Included:  
Rectangular Worksurface.

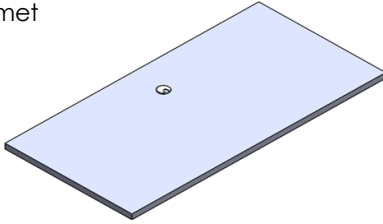
Finish Options:  
Please see [www.fluidgroup.com/finishes](http://www.fluidgroup.com/finishes) for finish details.

Information Required to Order:  
Worksurface Code / Worksurface Finish.  
Example: **EWRT3072/CB** (30 x 72 Rectangular Worksurface, Cocoa Bean)

| Product Code | Product Description                 |
|--------------|-------------------------------------|
| EWRT2436     | Edge, Rect Worksurface, 24"D x 36"W |
| EWRT2442     | Edge, Rect Worksurface, 24"D x 42"W |
| EWRT2448     | Edge, Rect Worksurface, 24"D x 48"W |
| EWRT2454     | Edge, Rect Worksurface, 24"D x 54"W |
| EWRT2460     | Edge, Rect Worksurface, 24"D x 60"W |
| EWRT2466     | Edge, Rect Worksurface, 24"D x 66"W |
| EWRT2472     | Edge, Rect Worksurface, 24"D x 72"W |
| EWRT3036     | Edge, Rect Worksurface, 30"D x 36"W |
| EWRT3042     | Edge, Rect Worksurface, 30"D x 42"W |
| EWRT3048     | Edge, Rect Worksurface, 30"D x 48"W |
| EWRT3054     | Edge, Rect Worksurface, 30"D x 54"W |
| EWRT3060     | Edge, Rect Worksurface, 30"D x 60"W |
| EWRT3066     | Edge, Rect Worksurface, 30"D x 66"W |
| EWRT3072     | Edge, Rect Worksurface, 30"D x 72"W |

## EWRTRG

Rectangular Worksurface,  
Round Grommet



What's Included:

Rectangular Worksurface, Round Grommet.

Finish Options:

Please see [www.fluidgroup.com/finishes](http://www.fluidgroup.com/finishes) for finish details. Grommets BL Black, WH White, SL Silver

Information Required to Order:

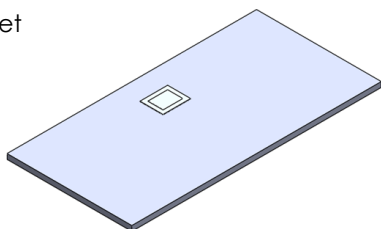
Worksurface Code / Laminate Finish / Grommet Finish.

Example: **EWRTRG3072/CB/BL**(30 x 72 Rectangular Worksurface - Round Grom-

| Product Code | Product Description                                |
|--------------|--|
| EWRTRG2436   | Edge, Rect Worksurface, Round Grommet, 24"D x 36"W |
| EWRTRG2442   | Edge, Rect Worksurface, Round Grommet, 24"D x 42"W |
| EWRTRG2448   | Edge, Rect Worksurface, Round Grommet, 24"D x 48"W |
| EWRTRG2454   | Edge, Rect Worksurface, Round Grommet, 24"D x 54"W |
| EWRTRG2460   | Edge, Rect Worksurface, Round Grommet, 24"D x 60"W |
| EWRTRG2466   | Edge, Rect Worksurface, Round Grommet, 24"D x 66"W |
| EWRTRG2472   | Edge, Rect Worksurface, Round Grommet, 24"D x 72"W |
| EWRTRG3036   | Edge, Rect Worksurface, Round Grommet, 30"D x 36"W |
| EWRTRG3042   | Edge, Rect Worksurface, Round Grommet, 30"D x 42"W |
| EWRTRG3048   | Edge, Rect Worksurface, Round Grommet, 30"D x 48"W |
| EWRTRG3054   | Edge, Rect Worksurface, Round Grommet, 30"D x 54"W |
| EWRTRG3060   | Edge, Rect Worksurface, Round Grommet, 30"D x 60"W |
| EWRTRG3066   | Edge, Rect Worksurface, Round Grommet, 30"D x 66"W |
| EWRTRG3072   | Edge, Rect Worksurface, Round Grommet, 30"D x 72"W |

**EWRTSG**

Rectangular Worksurface,  
Square Grommet



What's Included:

Rectangular Worksurface, Square Grommet.

Finish Options:

Please see [www.fluidgroup.com/finishes](http://www.fluidgroup.com/finishes) for finish details. Grommets ANO Only

Information Required to Order:

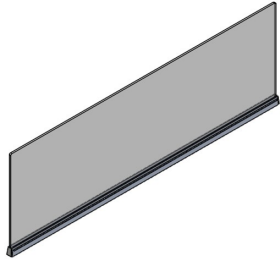
Worksurface Code / Laminate Finish.

Example: **EWRTSG3072/CB** (30 x 72 Rectangular Worksurface - Square Grommet, Cocoa Bean)

| Product Code | Product Description                                 |
|--------------|---|
| EWRTSG2436   | Edge, Rect Worksurface, Square Grommet, 24"D x 36"W |
| EWRTSG2442   | Edge, Rect Worksurface, Square Grommet, 24"D x 42"W |
| EWRTSG2448   | Edge, Rect Worksurface, Square Grommet, 24"D x 48"W |
| EWRTSG2454   | Edge, Rect Worksurface, Square Grommet, 24"D x 54"W |
| EWRTSG2460   | Edge, Rect Worksurface, Square Grommet, 24"D x 60"W |
| EWRTSG2466   | Edge, Rect Worksurface, Square Grommet, 24"D x 66"W |
| EWRTSG2472   | Edge, Rect Worksurface, Square Grommet, 24"D x 72"W |
| EWRTSG3036   | Edge, Rect Worksurface, Square Grommet, 30"D x 36"W |
| EWRTSG3042   | Edge, Rect Worksurface, Square Grommet, 30"D x 42"W |
| EWRTSG3048   | Edge, Rect Worksurface, Square Grommet, 30"D x 48"W |
| EWRTSG3054   | Edge, Rect Worksurface, Square Grommet, 30"D x 54"W |
| EWRTSG3060   | Edge, Rect Worksurface, Square Grommet, 30"D x 60"W |
| EWRTSG3066   | Edge, Rect Worksurface, Square Grommet, 30"D x 66"W |
| EWRTSG3072   | Edge, Rect Worksurface, Square Grommet, 30"D x 72"W |

## EUEA

Upmount Extrusion,  
Acrylic



What's Included:

Acrylic Upmount, All Necessary Hardware.

Finish Options:

Please see [www.fluidgroup.com/finishes](http://www.fluidgroup.com/finishes) for finish details.

Information Required to Order:

Upmount Code / Acrylic Finish.

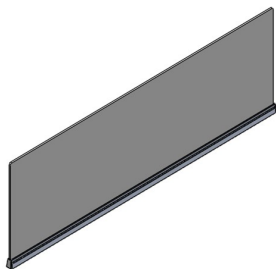
Example: **EUEA1648/AF1** (16 x 48 Upmount - Frosted Acrylic)

| Product Code | Product Description                |
|--------------|------------------------------------|
| EUEA1236     | Edge, Upmount Acrylic, 12"H x 36"W |
| EUEA1242     | Edge, Upmount Acrylic, 12"H x 42"W |
| EUEA1248     | Edge, Upmount Acrylic, 12"H x 48"W |
| EUEA1254     | Edge, Upmount Acrylic, 12"H x 54"W |
| EUEA1260     | Edge, Upmount Acrylic, 12"H x 60"W |
| EUEA1266     | Edge, Upmount Acrylic, 12"H x 66"W |
| EUEA1272     | Edge, Upmount Acrylic, 12"H x 72"W |
| EUEA1636     | Edge, Upmount Acrylic, 16"H x 36"W |
| EUEA1642     | Edge, Upmount Acrylic, 16"H x 42"W |
| EUEA1648     | Edge, Upmount Acrylic, 16"H x 48"W |
| EUEA1654     | Edge, Upmount Acrylic, 16"H x 54"W |
| EUEA1660     | Edge, Upmount Acrylic, 16"H x 60"W |
| EUEA1666     | Edge, Upmount Acrylic, 16"H x 66"W |
| EUEA1672     | Edge, Upmount Acrylic, 16"H x 72"W |
| EUEA2036     | Edge, Upmount Acrylic, 20"H x 36"W |
| EUEA2042     | Edge, Upmount Acrylic, 20"H x 42"W |
| EUEA2048     | Edge, Upmount Acrylic, 20"H x 48"W |
| EUEA2054     | Edge, Upmount Acrylic, 20"H x 54"W |
| EUEA2060     | Edge, Upmount Acrylic, 20"H x 60"W |
| EUEA2066     | Edge, Upmount Acrylic, 20"H x 66"W |
| EUEA2072     | Edge, Upmount Acrylic, 20"H x 72"W |
| EUEA2436     | Edge, Upmount Acrylic, 24"H x 36"W |
| EUEA2442     | Edge, Upmount Acrylic, 24"H x 42"W |
| EUEA2448     | Edge, Upmount Acrylic, 24"H x 48"W |
| EUEA2454     | Edge, Upmount Acrylic, 24"H x 54"W |
| EUEA2460     | Edge, Upmount Acrylic, 24"H x 60"W |
| EUEA2466     | Edge, Upmount Acrylic, 24"H x 66"W |
| EUEA2472     | Edge, Upmount Acrylic, 24"H x 72"W |



## EUES

Upmount Extrusion,  
Softscape

What's Included:

Softscape Upmount, All Necessary Hardware.

Finish Options:

Please see [www.fluidgroup.com/finishes](http://www.fluidgroup.com/finishes) for finish details.

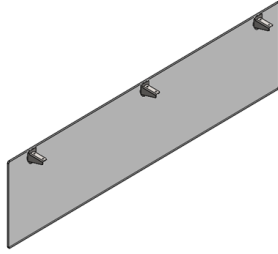
Information Required to Order:

Upmount Code / Softscape Finish.

Example: **EUES1648/SS04** (16 x 48 Upmount - Charcoal Softscape)

| Product Code | Product Description                  |
|--------------|--------------------------------------|
| EUES1236     | Edge, Upmount Softscape, 12"H x 36"W |
| EUES1242     | Edge, Upmount Softscape, 12"H x 42"W |
| EUES1248     | Edge, Upmount Softscape, 12"H x 48"W |
| EUES1254     | Edge, Upmount Softscape, 12"H x 54"W |
| EUES1260     | Edge, Upmount Softscape, 12"H x 60"W |
| EUES1266     | Edge, Upmount Softscape, 12"H x 66"W |
| EUES1272     | Edge, Upmount Softscape, 12"H x 72"W |
| EUES1636     | Edge, Upmount Softscape, 16"H x 36"W |
| EUES1642     | Edge, Upmount Softscape, 16"H x 42"W |
| EUES1648     | Edge, Upmount Softscape, 16"H x 48"W |
| EUES1654     | Edge, Upmount Softscape, 16"H x 54"W |
| EUES1660     | Edge, Upmount Softscape, 16"H x 60"W |
| EUES1666     | Edge, Upmount Softscape, 16"H x 66"W |
| EUES1672     | Edge, Upmount Softscape, 16"H x 72"W |
| EUES2036     | Edge, Upmount Softscape, 20"H x 36"W |
| EUES2042     | Edge, Upmount Softscape, 20"H x 42"W |
| EUES2048     | Edge, Upmount Softscape, 20"H x 48"W |
| EUES2054     | Edge, Upmount Softscape, 20"H x 54"W |
| EUES2060     | Edge, Upmount Softscape, 20"H x 60"W |
| EUES2066     | Edge, Upmount Softscape, 20"H x 66"W |
| EUES2072     | Edge, Upmount Softscape, 20"H x 72"W |

EMA  
Hanging Modesty,  
Acrylic



What's Included:  
Acrylic Modesty, All Necessary Hardware.

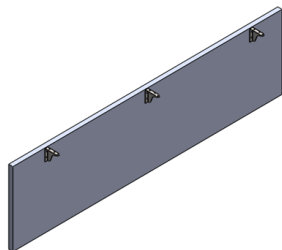
Finish Options:  
Please see [www.fluidgroup.com/finishes](http://www.fluidgroup.com/finishes) for finish details.

Information Required to Order:  
Modesty Code / Acrylic Finish.  
Example: **EMA1248/AF1** (12 x 48 Modesty - Frosted Acrylic)

| Product Code | Product Description                         |
|--------------|---|
| EMA1236      | Edge, Hanging Modesty, Acrylic, 12"H x 36"W |
| EMA1242      | Edge, Hanging Modesty, Acrylic, 12"H x 42"W |
| EMA1248      | Edge, Hanging Modesty, Acrylic, 12"H x 48"W |
| EMA1254      | Edge, Hanging Modesty, Acrylic, 12"H x 54"W |
| EMA1260      | Edge, Hanging Modesty, Acrylic, 12"H x 60"W |
| EMA1266      | Edge, Hanging Modesty, Acrylic, 12"H x 66"W |
| EMA1272      | Edge, Hanging Modesty, Acrylic, 12"H x 72"W |
| EMA2036      | Edge, Hanging Modesty, Acrylic, 20"H x 36"W |
| EMA2042      | Edge, Hanging Modesty, Acrylic, 20"H x 42"W |
| EMA2048      | Edge, Hanging Modesty, Acrylic, 20"H x 48"W |
| EMA2054      | Edge, Hanging Modesty, Acrylic, 20"H x 54"W |
| EMA2060      | Edge, Hanging Modesty, Acrylic, 20"H x 60"W |
| EMA2066      | Edge, Hanging Modesty, Acrylic, 20"H x 66"W |
| EMA2072      | Edge, Hanging Modesty, Acrylic, 20"H x 72"W |

## EMT

Hanging Modesty,  
TFL

What's Included:

TFL Modesty, All Necessary Hardware.

Finish Options:

Please see [www.fluidgroup.com/finishes](http://www.fluidgroup.com/finishes) for finish details.

Information Required to Order:

Modesty Code / Laminate Finish.

Example: **EMT1248/CB** (12 x 48 Modesty - Cocoa Bean)

**Product Code****Product Description**

|         |   |
|---------|---|
| EMT1236 | Edge, Hanging Modesty, TFL, 12"H x 36"W |
| EMT1242 | Edge, Hanging Modesty, TFL, 12"H x 42"W |
| EMT1248 | Edge, Hanging Modesty, TFL, 12"H x 48"W |
| EMT1254 | Edge, Hanging Modesty, TFL, 12"H x 54"W |
| EMT1260 | Edge, Hanging Modesty, TFL, 12"H x 60"W |
| EMT1266 | Edge, Hanging Modesty, TFL, 12"H x 66"W |
| EMT1272 | Edge, Hanging Modesty, TFL, 12"H x 72"W |
| EMT2036 | Edge, Hanging Modesty, TFL, 20"H x 36"W |
| EMT2042 | Edge, Hanging Modesty, TFL, 20"H x 42"W |
| EMT2048 | Edge, Hanging Modesty, TFL, 20"H x 48"W |
| EMT2054 | Edge, Hanging Modesty, TFL, 20"H x 54"W |
| EMT2060 | Edge, Hanging Modesty, TFL, 20"H x 60"W |
| EMT2066 | Edge, Hanging Modesty, TFL, 20"H x 66"W |
| EMT2072 | Edge, Hanging Modesty, TFL, 20"H x 72"W |

## EWRG

Large Power/Data,  
Wire Manager



What's Included:

Large Wire Manager, All Necessary Hardware.

Finish Options:

Black Only.

Information Required to Order:

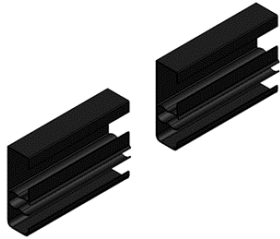
Wire Manager Code.

Example: **EWGR60**

| Product Code | Product Description                |
|--------------|------------------------------------|
| EWGR36       | Large Power/Data Wire Manager, 36" |
| EWGR42       | Large Power/Data Wire Manager, 42" |
| EWGR48       | Large Power/Data Wire Manager, 48" |
| EWGR54       | Large Power/Data Wire Manager, 54" |
| EWGR60       | Large Power/Data Wire Manager, 60" |
| EWGR66       | Large Power/Data Wire Manager, 66" |
| EWGR72       | Large Power/Data Wire Manager, 72" |

**EWGRG**

Large Power/Data,  
Wire Manager -  
For Grommets



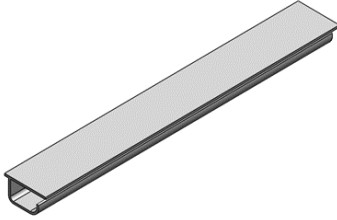
What's Included:  
Large Wire Manager, All Necessary Hardware.

Finish Options:  
Black Only.

Information Required to Order:  
Wire Manager Code.  
Example: **EWGRG60**

| Product Code | Product Description                             |
|--------------|---|
| EWGRG36      | Large Power/Data Wire Manager, For Grommet, 36" |
| EWGRG42      | Large Power/Data Wire Manager, For Grommet 42"  |
| EWGRG48      | Large Power/Data Wire Manager, For Grommet 48"  |
| EWGRG54      | Large Power/Data Wire Manager, For Grommet 54"  |
| EWGRG60      | Large Power/Data Wire Manager, For Grommet 60"  |
| EWGRG66      | Large Power/Data Wire Manager, For Grommet 66"  |
| EWGRG72      | Large Power/Data Wire Manager, For Grommet 72"  |

**EWGLP**  
 Low Profile  
 Wire Manager



What's Included:  
 Low Profile Wire Manager, All Necessary Hardware.

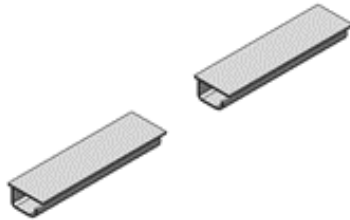
Finish Options:  
 Light Grey Only.

Information Required to Order:  
 Wire Manager Code.  
 Example: **EWGLP60**

| Product Code | Product Description           |
|--------------|-------------------------------|
| EWGLP24      | Low Profile Wire Manager, 24" |
| EWGLP30      | Low Profile Wire Manager, 30" |
| EWGLP36      | Low Profile Wire Manager, 36" |
| EWGLP42      | Low Profile Wire Manager, 42" |
| EWGLP48      | Low Profile Wire Manager, 48" |
| EWGLP54      | Low Profile Wire Manager, 54" |
| EWGLP60      | Low Profile Wire Manager, 60" |
| EWGLP66      | Low Profile Wire Manager, 66" |
| EWGLP72      | Low Profile Wire Manager, 72" |

**EWGLPG**

Low Profile  
Wire Manager -  
For Grommets



What's Included:  
Low Profile Wire Manager, All Necessary Hardware.

Finish Options:  
Light Grey Only.

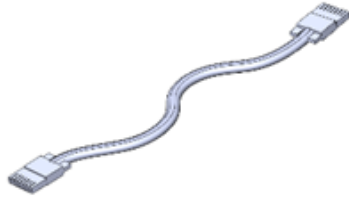
Information Required to Order:  
Wire Manager Code.  
Example: **EWGLPGG60**

| Product Code | Product Description                        |
|--------------|--|
| EWGLPG24     | Low Profile Wire Manager, For Grommet, 24" |
| EWGLPG30     | Low Profile Wire Manager, For Grommet, 30" |
| EWGLPG36     | Low Profile Wire Manager, For Grommet, 36" |
| EWGLPG42     | Low Profile Wire Manager, For Grommet, 42" |
| EWGLPG48     | Low Profile Wire Manager, For Grommet, 48" |
| EWGLPG54     | Low Profile Wire Manager, For Grommet, 54" |
| EWGLPG60     | Low Profile Wire Manager, For Grommet, 60" |
| EWGLPG66     | Low Profile Wire Manager, For Grommet, 66" |
| EWGLPG72     | Low Profile Wire Manager, For Grommet, 72" |



XEBF

Base feed Cables



What's Included:  
Base Feed Cable.

Finish Options:  
N/A

Information Required to Order:  
Base feed Code  
Example: **XEBF8472**

| Product Code | Product Description                 |
|--------------|-------------------------------------|
| XEBFQ72      | Base Feed, 3 Wire / 1 Circuit, 72"  |
| XEBFQ120     | Base Feed, 3 Wire / 1 Circuit, 120" |
| XEBF8472     | Base Feed, 8 Wire / 4 Circuit, 72"  |
| XEBF84120    | Base Feed, 8 Wire / 4 Circuit, 120" |

**XEIC**  
Interconnecting Cables



What's Included:  
Interconnecting Cable.

Finish Options:  
N/A

Information Required to Order:  
Interconnect Code  
Example: **XEBF8472**

| Product Code | Product Description                          |
|--------------|--|
| XEIC8436     | Interconnecting Cable, 8 Circuit/4 Wire, 36" |
| XEIC8442     | Interconnecting Cable, 8 Circuit/4 Wire, 42" |
| XEIC8448     | Interconnecting Cable, 8 Circuit/4 Wire, 48" |
| XEIC8454     | Interconnecting Cable, 8 Circuit/4 Wire, 54" |
| XEIC8460     | Interconnecting Cable, 8 Circuit/4 Wire, 60" |
| XEIC8466     | Interconnecting Cable, 8 Circuit/4 Wire, 66" |
| XEIC8472     | Interconnecting Cable, 8 Circuit/4 Wire, 72" |

**How to Order** - Please send all questions to purchase orders to [order@fluidgroup.com](mailto:order@fluidgroup.com) or fax to 1.866.769.6057. Or please call us directly toll free 1.866.933.5258

Please see [www.fluidgroup.com](http://www.fluidgroup.com) for all information including -

terms & conditions

warranty information

local representation information

Finishes & Resources

Thank-you for choosing fluidconcepts!

Fluidconcept & design inc.  
96 Planchet Rd.  
Concord Ontario Canada  
L4K 2C7

TF. 1.866.933.5258

Fax. 1.866.789.

[www.fluidgroup.com](http://www.fluidgroup.com)

