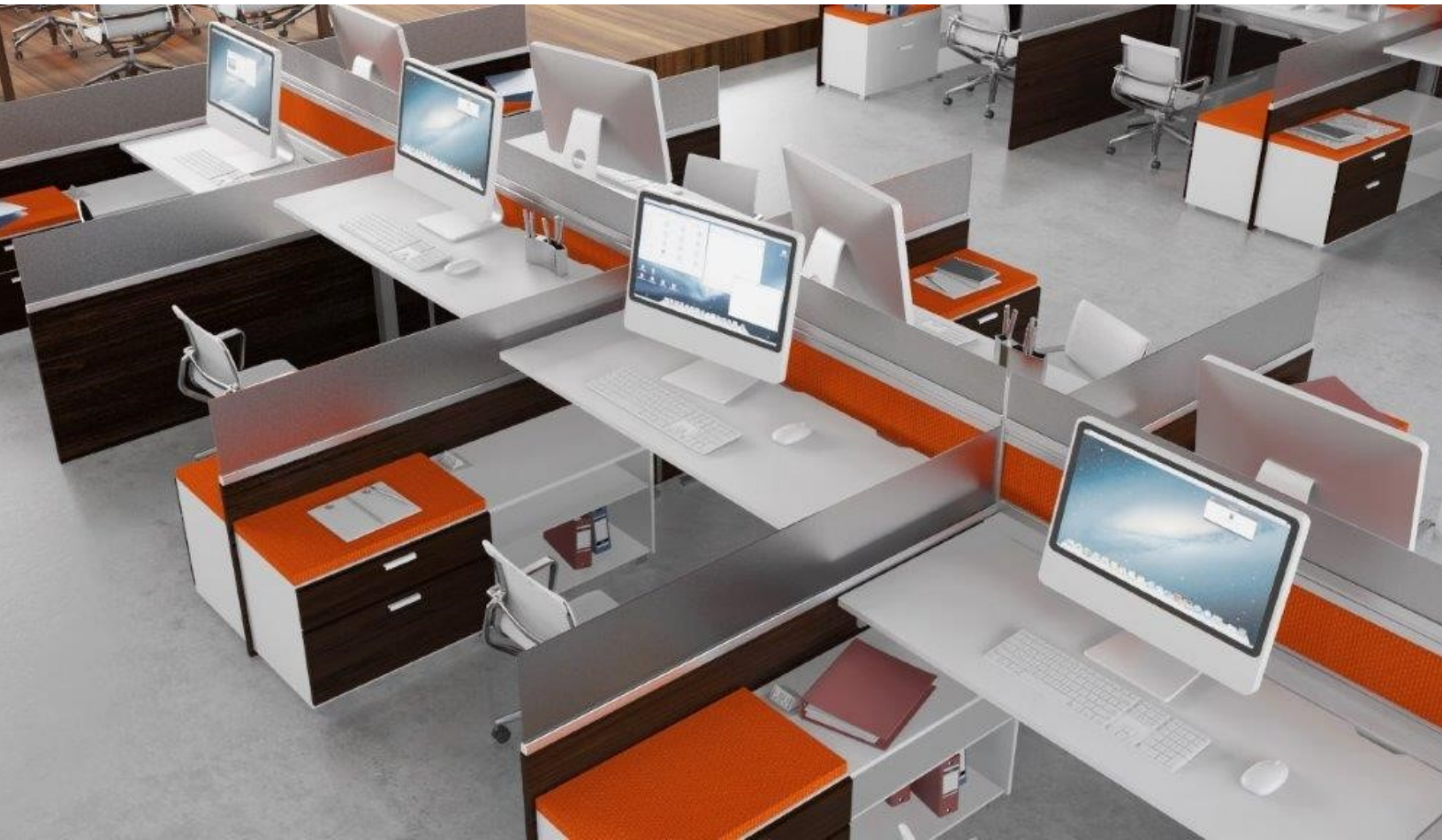


Blade

Product Guide



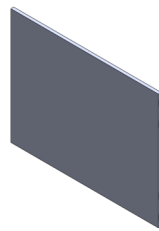
Blade Panels



BPGE
Gable, End Condition



BPGM
Gable, Mid Condition



BPSE
Side, End Condition
Left or Right



BPSM
Side, Mid Condition

Structures



BPST
Post

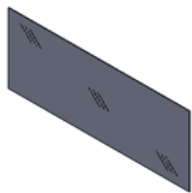


XBSTR
Standard Beam

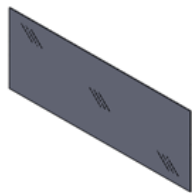


XBSTW
Channel Beam

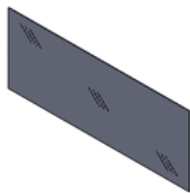
Dividers



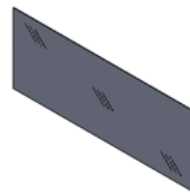
BPGA
Frosted Acrylic



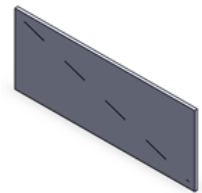
BPCL
Clear Acrylic



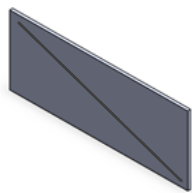
BPMB
Whiteboard Acrylic



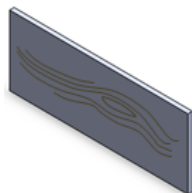
BPCO
Color Acrylic



BPSS
Softscape Acrylic

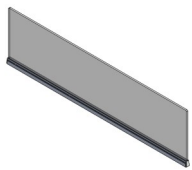


BPTF
Tackable Fabric

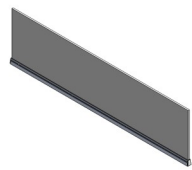


BPLM
TFL Laminate

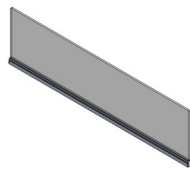
Upmounts



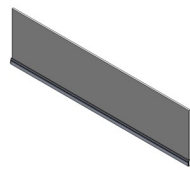
UAB
Upmount, Acrylic
Beam Mount



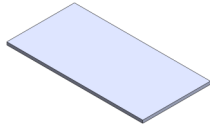
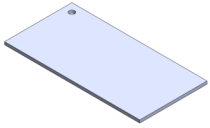
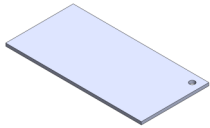
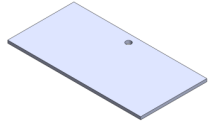
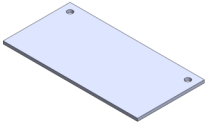
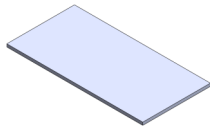
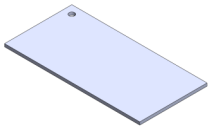
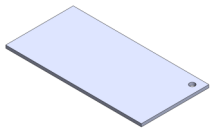
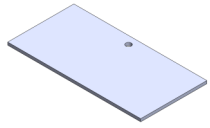
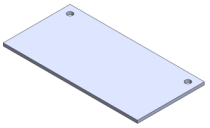
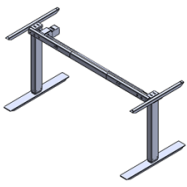
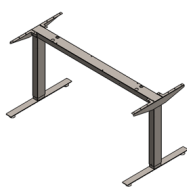
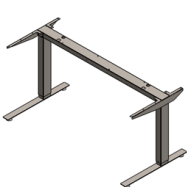
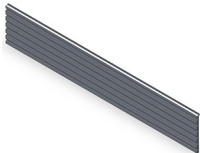
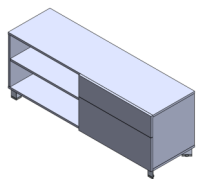
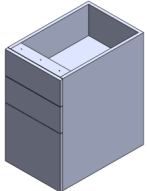
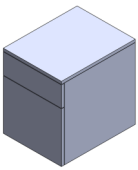
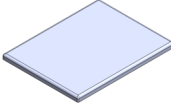
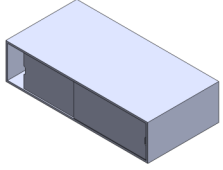



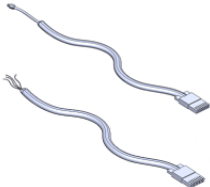
USB
Upmount, Softscape
Beam Mount



BPUA
Upmount, Acrylic
Blade Panel Mount

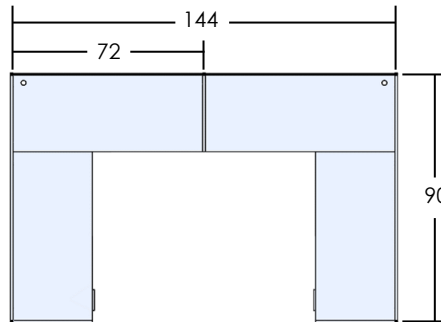
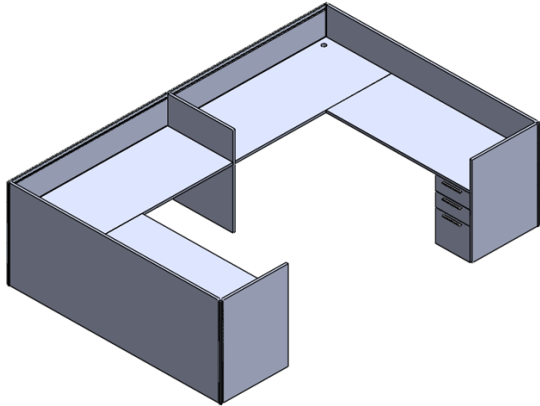


BPUS
Upmount, Softscape
Blade Panel Mount

Fixed Height Worksurfaces					
	BWRT Rect. Worksurface	BWRTGL Rect. Worksurface Grommet Left	BWRTGR Rect. Worksurface Grommet Right	BWRTGC Rect. Worksurface Grommet Center	BWRTGD Rect. Worksurface Grommet Double
Height Adjustable Worksurfaces					
	HTWRT Rect. Worksurface	HTWRTGL Rect. Worksurface Grommet Left	HTWRTGR Rect. Worksurface Grommet Right	HTWRTGC Rect. Worksurface Grommet Center	HTWRTGD Rect. Worksurface Grommet Double
Height Adjustable Bases				Accessories	
	ILEV1T ILEV T Leg Base	QCLRT_T Clever - T Leg base	QCLRT_C Clever - C Leg base		BAAR Accessory rail
Storage					
	7SLC Low Credenza	7SJX Floor Pedestals (Surface Supporting)	7SMW Mobile Box File	FCUSH Storage Cushion	BSOH Overhead Storage
Serviceway				Electrical	
	BESWS / BESWD Non-Powered Single or Double Sided	BESWS31 / BESWS84 Powered Single Sided	BESWD31 / BESWD84 Powered Double Sided		XEBF, XEIC, XEPC Electrical Cables

BL2U729042 - 2 pack, U Station

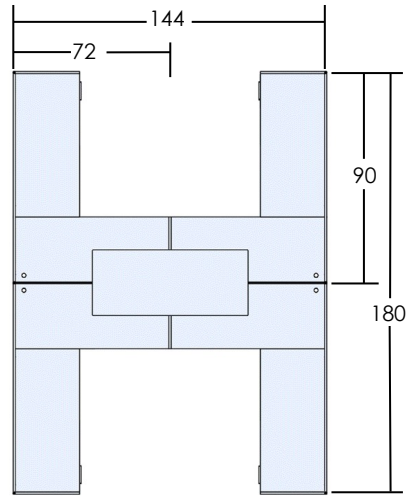
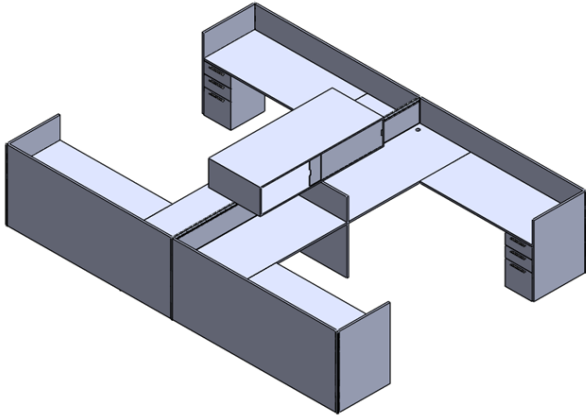
72" x 90" x 42" 2 pack U Station, Softscape upper divider along spine, BBF storage, 4 Simplexes per user, 1 Data/Tel knockout per side, 72" Basefeed, Grade 1 Finishes.



QTY	Product Code	Product Description
1	BPGEL4224	Blade, 42"H x 24"W Gable, End Condition, Left
1	BPGER4224	Blade, 42"H x 24"W Gable, End Condition, Right
1	BPSEL4290	Blade, 42"H x 90"W Side, End Condition, Left
1	BPSER4290	Blade, 42"H x 90"W Side, End Condition, Right
1	BPGM4230	Blade, 42"H x 30"W Gable, Mid Condition
3	BPST1AS142	Blade, 42"H, 1" Sq Post, Divider Connection One Side
2	BPST1AS29042	Blade, 42"H, 1" Sq Post, Divider Connection Two Sides - 90 Degrees
2	XBSTR1A72	72 Standard Beam - Style 1A
4	XBSTW1A72	72 Channel Beam - Style 1A
2	BPSS1A1372	Blade, 13x72 Softscape Divider - Style 1A
2	BPLM1A2872	Blade, 28x72 TFL Laminate Divider - Style 1A
1	BWRTGL3072	Blade, 30"D x 72"W Rectangular Worksurface, Grommet Left
1	BWRTGR3072	Blade, 30"D x 72"W Rectangular Worksurface, Grommet Right
2	BWRT2460	Blade, 24"D x 60"W Rectangular Worksurface, No Grommet
2	BESWS8472	Blade, 72"W Serviceway, PwrData 8Wire,Cir1234, 4 Simplexes on Single Side
2	7SJX20	20"D x 16"W x 28"H Floor Pedestal, Box Box File
1	XEBF8472	72 Base Feed, 8 Wire/4 Circuit
1	XEIC8472	72 Interconnecting Cable, 8 Circuit/4 Wire

BL4U729042 - 4 pack, U Station

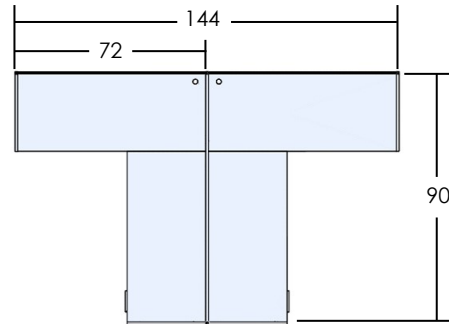
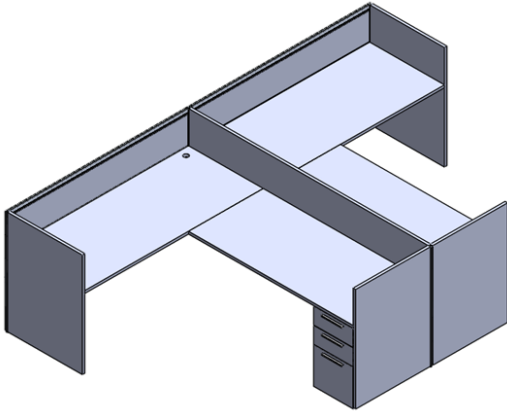
72" x 90" x 42" 4 pack U Station, Softscape upper divider along spine, Overhead and BBF storage, 4 Simplexes per user, 1 Data/Tel knockout per side, 72" Basefeed, Grade 1 Finishes.



QTY	Product Code	Product Description
2	BPGEL4224	Blade, 42"H x 24"W Gable, End Condition, Left
2	BPGER4224	Blade, 42"H x 24"W Gable, End Condition, Right
2	BPSEL4290	Blade, 42"H x 90"W Side, End Condition, Left
2	BPSE4290	Blade, 42"H x 90"W Side, End Condition, Right
2	BPGM4230	Blade, 42"H x 30"W Gable, Mid Condition
4	BPST1AS29042	Blade, 42"H, 1" Sq Post, Divider Connection Two Sides - 90 Degrees
3	BPST1AS242	Blade, 42"H, 1" Sq Post, Divider Connection Two Opposite Sides
4	XBSTR1A72	72 Standard Beam - Style 1A
4	XBSTW1A72	72 Channel Beam - Style 1A
2	BPLM1A0772	Blade, 07x72 TFL Laminate Divider - Style 1A
2	BPSS1A1372	Blade, 13x72 Softscape Divider - Style 1A
2	BWRTGL3072	Blade, 30"D x 72"W Rectangular Worksurface, Grommet Left
2	BWRTGR3072	Blade, 30"D x 72"W Rectangular Worksurface, Grommet Right
4	BWRT2460	Blade, 24"D x 60"W Rectangular Worksurface, No Grommet
4	7SJX20	20"D x 16"W x 28"H Floor Pedestal, Box Box File
1	BSOHD723015	72"W x 30"D x 15"H Double Sided Overhead Storage, Sliding Doors
2	BESWD8472	Blade, 72"W Serviceway, PwrData 8Wire,Cir1234, 4 Simplexes on Each Side
1	XEBF8472	72 Base Feed, 8 Wire/4 Circuit
1	XEIC8472	72 Interconnecting Cable, 8 Circuit/4 Wire

BL2L729042 - 2 pack, L Station

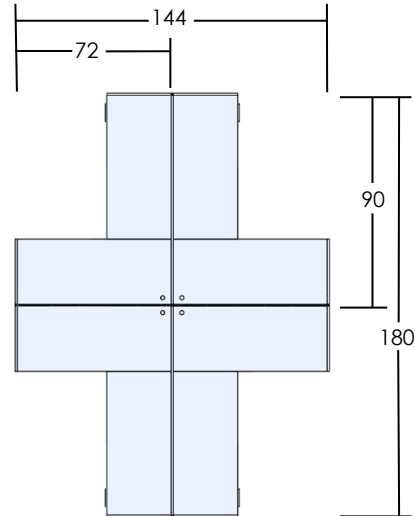
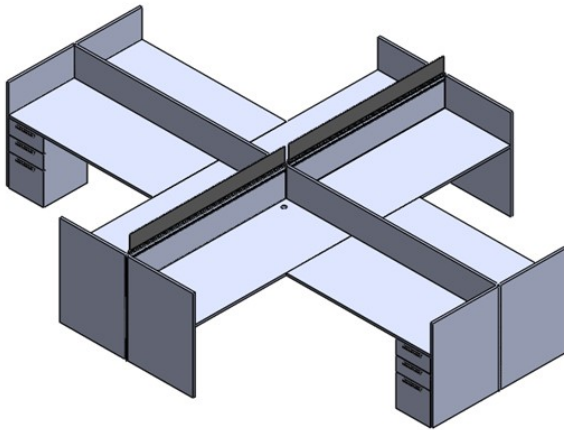
72" x 90" x 42" L pack U Station, Softscape upper divider along spine, BBF storage, 4 Simplexes per user, 1 Data/Tel knockout per side, 72" Basefeed, Grade 1 Finishes.



QTY	Product Code	Product Description
1	BPGEL4224	Blade, 42"H x 24"W Gable, End Condition, Left
1	BPGER4224	Blade, 42"H x 24"W Gable, End Condition, Right
1	BPGEL4230	Blade, 42"H x 30"W Gable, End Condition, Left
1	BPGER4230	Blade, 42"H x 30"W Gable, End Condition, Right
1	BPSM4290	Blade, 42"H x 90"W Side, Mid Condition
3	BPST1AS142	Blade, 42"H, 1" Sq Post, Divider Connection One Side
1	BPST1AS342	Blade, 42"H, 1" Sq Post, Divider Connection Three Sides
2	XBSTR1A72	72 Standard Beam - Style 1A
4	XBSTW1A72	72 Channel Beam - Style 1A
2	BPSS1A1372	Blade, 13x72 Softscape Divider - Style 1A
2	BPLM1A2872	Blade, 28x72 TFL Laminate Divider - Style 1A
1	BWRTGL3072	Blade, 30"D x 72"W Rectangular Worksurface, Grommet Left
1	BWRTGR3072	Blade, 30"D x 72"W Rectangular Worksurface, Grommet Right
2	BWRT2460	Blade, 24"D x 60"W Rectangular Worksurface, No Grommet
2	BESWS8472	Blade, 72"W Serviceway, PwrData 8Wire,Cir1234, 4 Simplexes on Single Side
2	7SJX20	20"D x 16"W x 28"H Floor Pedestal, Box Box File
1	XEBF8472	72 Base Feed, 8 Wire/4 Circuit
1	XEIC8472	72 Interconnecting Cable, 8 Circuit/4 Wire

BL4L729042 - 4 pack, L Station

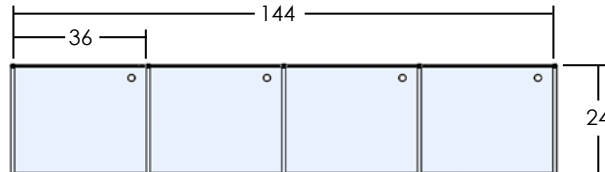
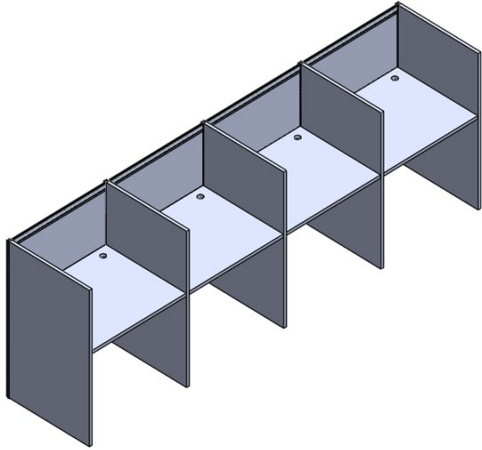
72" x 90" x 42" L pack L Station, Softscape upper divider along spine, BBF storage, 4 Simplexes per user, 1 Data/Tel knockout per side, 72" Basefeed, Grade 1 Finishes.



QTY	Product Code	Product Description
2	BPGEL4224	Blade, 42"H x 24"W Gable, End Condition, Left
2	BPGER4224	Blade, 42"H x 24"W Gable, End Condition, Right
2	BPGEL4230	Blade, 42"H x 30"W Gable, End Condition, Left
2	BPGER4230	Blade, 42"H x 30"W Gable, End Condition, Right
2	BPSM4290	Blade, 42"H x 90"W Side, Mid Condition
2	BPST1AS342	Blade, 42"H, 1" Sq Post, Divider Connection Three Sides
3	BPST1AS242	Blade, 42"H, 1" Sq Post, Divider Connection Two Opposite Sides
4	XBSTR1A72	72 Standard Beam - Style 1A
4	XBSTW1A72	72 Channel Beam - Style 1A
2	BPSS1A1372	Blade, 13x72 Softscape Divider - Style 1A
2	BPLM1A0772	Blade, 07x72 TFL Laminate Divider - Style 1A
2	UAB1A0772	07x72 Up Mount Extrusion, 1/4" Acrylic, Beam Mount - Style 1A
2	BWRTGL3072	Blade, 30"D x 72"W Rectangular Worksurface, Grommet Left
2	BWRTGR3072	Blade, 30"D x 72"W Rectangular Worksurface, Grommet Right
4	BWRT2460	Blade, 24"D x 60"W Rectangular Worksurface, No Grommet
2	BESWD8472	Blade, 72"W Serviceway, PwrData 8Wire,Cir1234, 4 Simplexes on Each Side
4	7SJX20	20"D x 16"W x 28"H Floor Pedestal, Box Box File
1	XEBF8472	72 Base Feed, 8 Wire/4 Circuit
1	XEIC8472	72 Interconnecting Cable, 8 Circuit/4 Wire

BL4C362449 - 4 pack, Linear study carrels

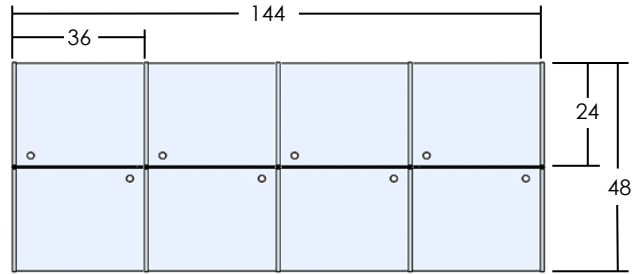
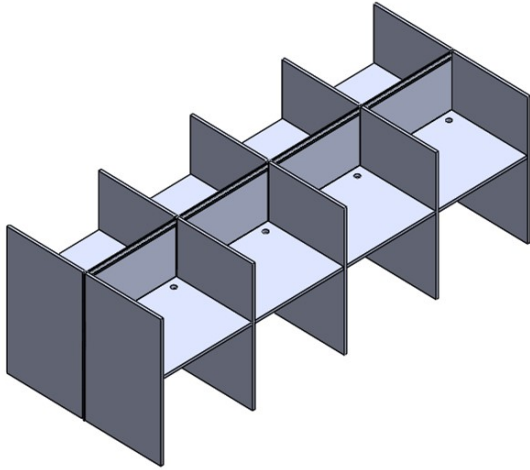
36" x 24" x 49" 4 pack of linear study carrels, Softscape upper divider along spine, 4 Simplexes per user, 1 Data/Tel knockout per side, 72" Basefeed, Grade 1 Finishes.



QTY	Product Code	Product Description
1	BPGEL4924	Blade, 49"H x 24"W Gable, End Condition, Left
1	BPGER4924	Blade, 49"H x 24"W Gable, End Condition, Right
3	BPGM4924	Blade, 49"H x 24"W Gable, Mid Condition
5	BPST1A149	Blade, 49"H, 1" Sq Post, Divider Connection One Side
8	XBSTR1A36	36 Standard Beam - Style 1A
8	XBSTW1A36	36 Channel Beam - Style 1A
4	BPLM1A1336	Blade, 07x36 TFL Laminate Divider - Style 1A
4	BPSS1A2036	Blade, 20x36 Softscape Divider - Style 1A
4	BWRTGR2436	Blade, 24"D x 36"W Rectangular Worksurface, Grommet Right
4	BESWS8436	Blade, 36"W Serviceway, PwrData 8Wire,Cir1234, 4 Simplexes on Single Side
1	XEBF8472	72 Base Feed, 8 Wire/4 Circuit
3	XEIC8436	36 Interconnecting Cable, 8 Circuit/4 Wire

BL4DC362449 - 8 pack, Double sided study carrels

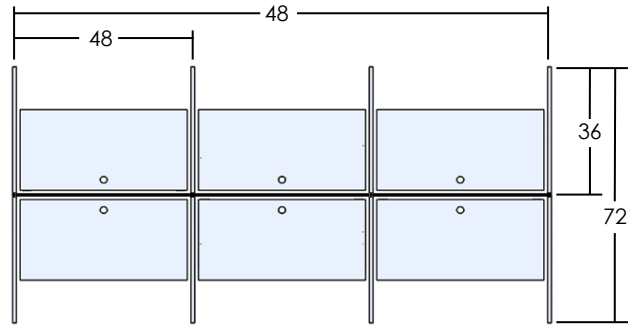
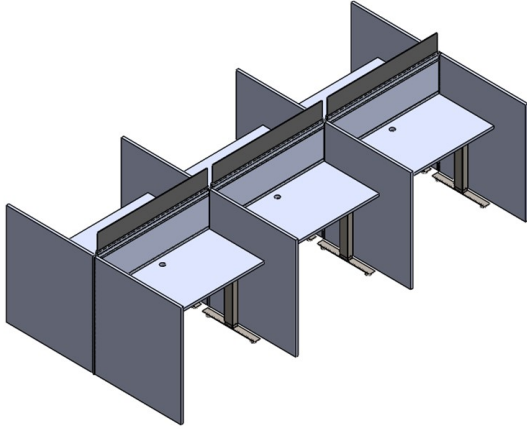
36" x 24" x 49" 8 pack of double sided linear study carrels, Softscape upper divider along spine, 4 Simplexes per user, 1 Data/Tel knockout per side, 72" Basefeed, Grade 1 Finishes.



QTY	Product Code	Product Description
2	BPGEL4924	Blade, 49"H x 24"W Gable, End Condition, Left
2	BPGER4924	Blade, 49"H x 24"W Gable, End Condition, Right
6	BPGM4924	Blade, 49"H x 24"W Gable, Mid Condition
5	BPST1A249	Blade, 49"H, 1" Sq Post, Divider Connection Two Opposite Sides
8	XBSTR1A36	36 Standard Beam - Style 1A
8	XBSTW1A36	36 Channel Beam - Style 1A
4	BPLM1A0736	Blade, 07x36 TFL Laminate Divider - Style 1A
4	BPSS1A2036	Blade, 20x36 Softscape Divider - Style 1A
8	BWRTGR2436	Blade, 24"D x 36"W Rectangular Worksurface, Grommet Right
4	BESWD8436	Blade, 36"W Serviceway, PwrData 8Wire,Cir1234, 4 Simplexes on Each Side
1	XEBF8472	72 Base Feed, 8 Wire/4 Circuit
3	XEIC8436	36 Interconnecting Cable, 8 Circuit/4 Wire

BL6DHC483642 - 6 pack, Double sided height adjustable study carrels

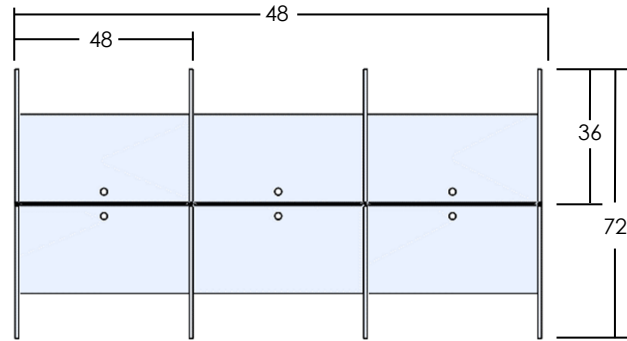
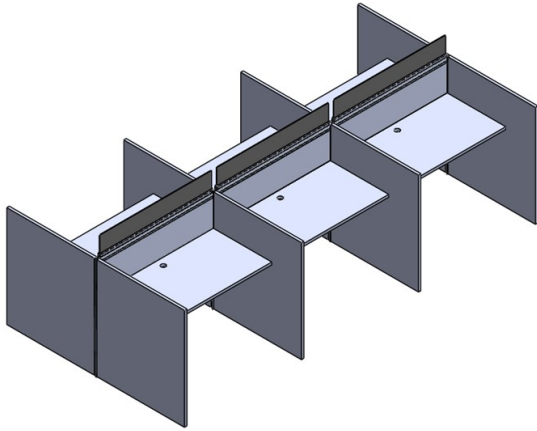
48" x 36" x 42" 6 pack of double sided linear study carrels, Height adjustable, Softscape upper divider along spine, 4 Simplexes per user, 1 Data/Tel knockout per side, 72" Basefeed, Grade 1 Finishes.



QTY	Product Code	Product Description
2	BPGEL4236	Blade, 42"H x 36"W Gable, End Condition, Left
2	BPGER4236	Blade, 42"H x 36"W Gable, End Condition, Right
4	BPGM4236	Blade, 42"H x 36"W Gable, Mid Condition
4	BPST1AS242	Blade, 42"H, 1" Sq Post, Divider Connection Two Opposite Sides
6	XBSTR1A48	48 Standard Beam - Style 1A
6	XBSTW1A48	48 Channel Beam - Style 1A
3	BPSS1A0548	Blade, 05x48 Softscape Divider - Style 1A
3	BPSS1A1348	Blade, 13x48 Softscape Divider - Style 1A
3	BPLM1A0748	Blade, 07x48 TFL Laminate Divider - Style 1A
3	UAB1A0748	07x48 Up Mount Extrusion, 1/4" Acrylic, Beam Mount - Style 1A
6	HTWRTGC2346	Height Adj Surface, 23"D x 46"W Rectangular Worksurface, Grommet Center
6	ILEV1T	i-lev1, Electric Height Adj Table, Three Stage T-Leg, Base Only, Adj Width 44"-63"
3	BESWD8448	Blade, 48"W Serviceway, PwrData 8Wire,Cir1234, 4 Simplexes on Each Side
1	XEBF8472	72 Base Feed, 8 Wire/4 Circuit
2	XEIC8448	48 Interconnecting Cable, 8 Circuit/4 Wire

BL6DC483642 - 6 pack, Double sided study carrels

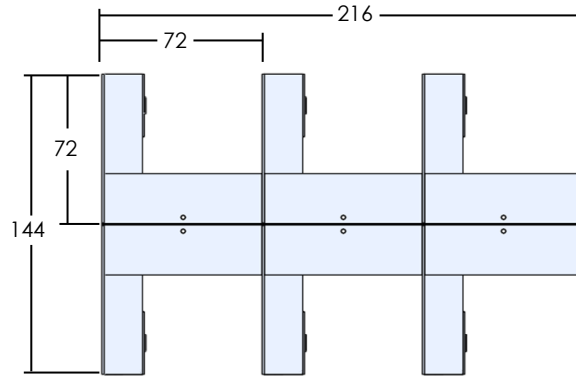
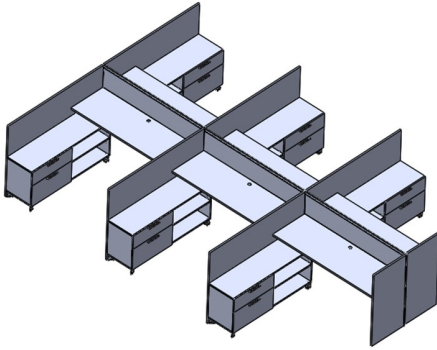
48" x 36" x 42" 6 pack of double sided linear study carrels, Softscape upper divider along spine, 4 Simplexes per user, 1 Data/Tel knockout per side, 72" Basefeed, Grade 1 Finishes.



QTY	Product Code	Product Description
2	BPGEL4236	Blade, 42"H x 36"W Gable, End Condition, Left
2	BPGER4236	Blade, 42"H x 36"W Gable, End Condition, Right
4	BPGM4236	Blade, 42"H x 36"W Gable, Mid Condition
4	BPST1AS242	Blade, 42"H, 1" Sq Post, Divider Connection Two Opposite Sides
6	XBSTR1A48	48 Standard Beam - Style 1A
6	XBSTW1A48	48 Channel Beam - Style 1A
3	BPSS1A1348	Blade, 13x48 Softscape Divider - Style 1A
3	BPLM1A0748	Blade, 07x48 TFL Laminate Divider - Style 1A
3	UAB1A0748	07x48 Up Mount Extrusion, 1/4" Acrylic, Beam Mount - Style 1A
6	BWRTGC2448	Blade, 24"D x 48"W Rectangular Worksurface, Grommet Center
3	BESWD8448	Blade, 48"W Serviceway, PwrData 8Wire,Cir1234, 4 Simplexes on Each Side
1	XEBF8472	72 Base Feed, 8 Wire/4 Circuit
2	XEIC8448	48 Interconnecting Cable, 8 Circuit/4 Wire

BL6DCR727242 - 6 pack, Double sided credenza

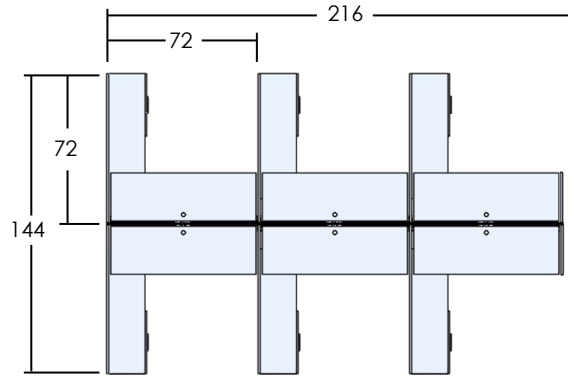
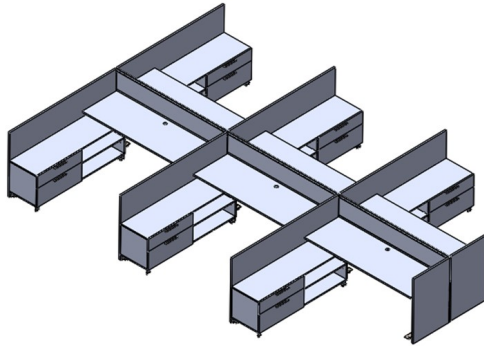
72" x 72" x 42" 8 pack of double sided workstations, Softscape upper divider along spine, Credenza storage, 4 Simplexes per user, 1 Data/Tel knockout per side, 72" Basefeed, Grade 1 Finishes.



QTY	Product Code	Product Description
1	BPGEL4272	Blade, 42"H x 72"W Gable, End Condition, Left
1	BPGER4272	Blade, 42"H x 72"W Gable, End Condition, Right
4	BPGM4272	Blade, 42"H x 72"W Gable, Mid Condition
1	BPGEL4224	Blade, 42"H x 24"W Gable, End Condition, Left
1	BPGER4224	Blade, 42"H x 24"W Gable, End Condition, Right
4	BPST1AS242	Blade, 42"H, 1" Sq Post, Divider Connection Two Opposite Sides
6	XBSTR1A72	72 Standard Beam - Style 1A
6	XBSTW1A72	72 Channel Beam - Style 1A
3	BPSS1A1372	Blade, 13x72 Softscape Divider - Style 1A
3	BPLM1A0772	Blade, 07x72 TFL Laminate Divider - Style 1A
6	BWRTGC2472	Blade, 24"D x 72"W Rectangular Worksurface, Grommet Center
3	BESWD8472	Blade, 72"W Serviceway, PwrData 8Wire,Cir1234, 4 Simplexes on Each Side
3	7SCL1860OBF	18"D x 60"W x 24"H Low Credenza. Open / Box File. Edge Feet
3	7SCL1860BFO	18"D x 60"W x 24"H Low Credenza. Box File / Open. Edge Feet
1	XEBF8472	72 Base Feed, 8 Wire/4 Circuit
2	XEIC8472	72 Interconnecting Cable, 8 Circuit/4 Wire

BL6DHCR727242 - 6 pack, Height adjustable double sided credenza

72" x 72" x 42" 8 pack of double sided workstations, Height Adjustable, Softscape upper divider along spine, Credenza storage, 4 Simplexes per user, 1 Data/Tel knockout per side, 72" Basefeed, Grade 1 Finishes.

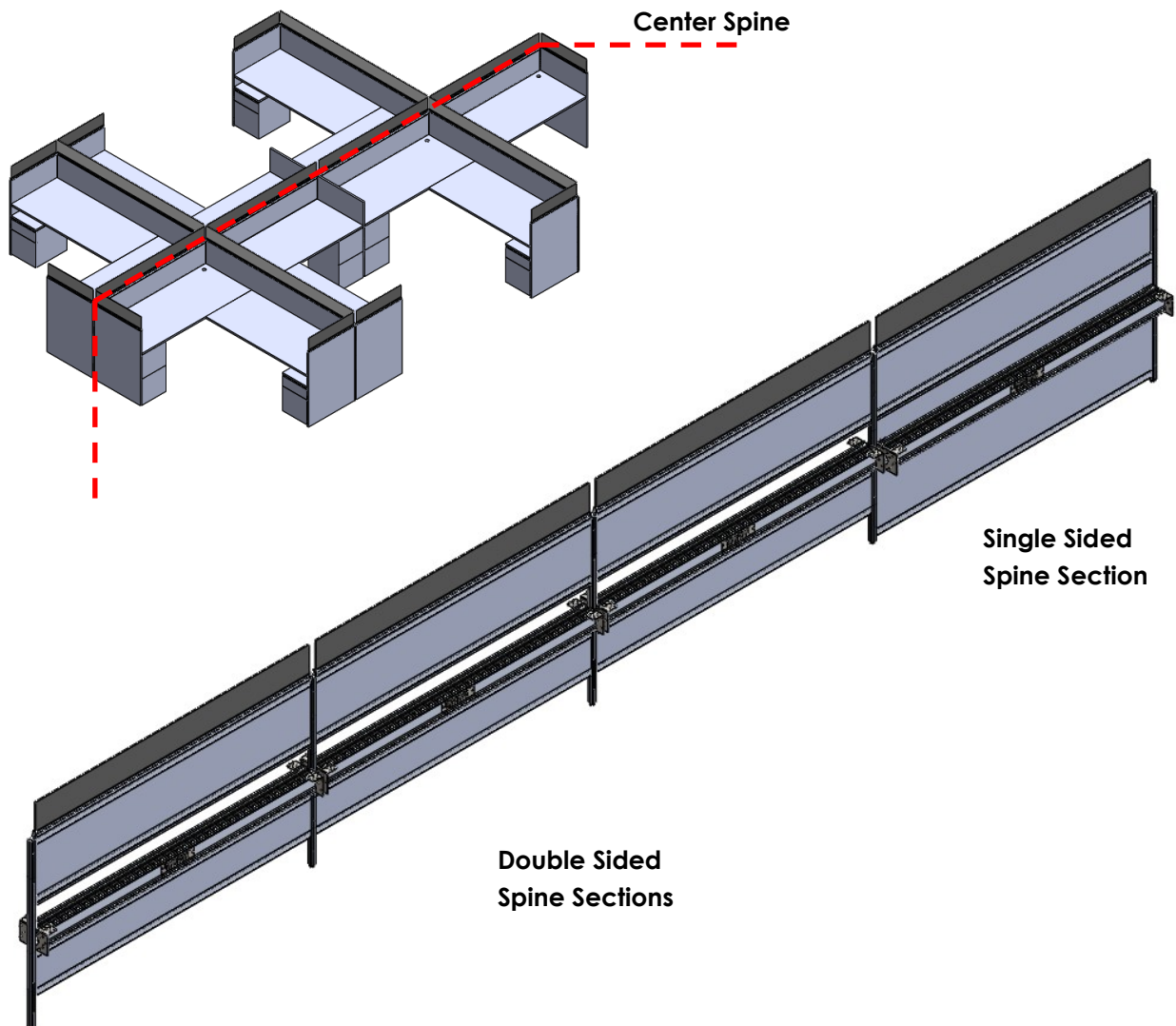


QTY	Product Code	Product Description
1	BPGEL4272	Blade, 42"H x 72"W Gable, End Condition, Left
1	BPGER4272	Blade, 42"H x 72"W Gable, End Condition, Right
4	BPGM4272	Blade, 42"H x 72"W Gable, Mid Condition
1	BPGEL4224	Blade, 42"H x 24"W Gable, End Condition, Left
1	BPGER4224	Blade, 42"H x 24"W Gable, End Condition, Right
4	BPST1AS242	Blade, 42"H, 1" Sq Post, Divider Connection Two Opposite Sides
6	XBSTR1A72	72 Standard Beam - Style 1A
6	XBSTW1A72	72 Channel Beam - Style 1A
3	BPSS1A0572	Blade, 05x72 Softscape Divider - Style 1A
3	BPSS1A1372	Blade, 13x72 Softscape Divider - Style 1A
3	BPLM1A0772	Blade, 07x72 TFL Laminate Divider - Style 1A
6	HTWRTGC2370	Height Adj Surface, 23"D x 70"W Rectangular Worksurface, Grommet Center
6	QCLRT_24C	Clever, Electric Height Adj Table, C-Leg, Base Only, 24"D x 48"-72"W
3	BESWD8472	Blade, 72"W Serviceway, PwrData 8Wire,Cir1234, 4 Simplexes on Each Side
3	7SCL1860OBF	18"D x 60"W x 24"H Low Credenza. Open / Box File. Edge Feet
3	7SCL1860BFO	18"D x 60"W x 24"H Low Credenza. Box File / Open. Edge Feet
1	XEBF8472	72 Base Feed, 8 Wire/4 Circuit
2	XEIC8472	72 Interconnecting Cable, 8 Circuit/4 Wire

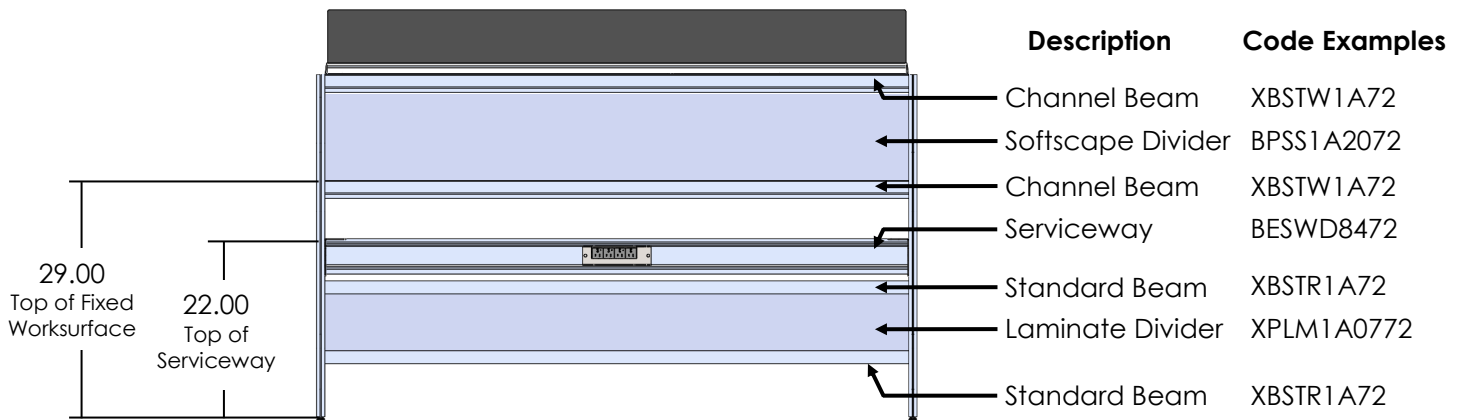
Spine Details

Comprised of structural posts & beams, the center spine will add function while delivering power and data. From writeable whiteboard to tackable fabric, dividers can be selected to help personalize a workstation based on the needs of the user. A channel beam is located at the 29" height to support the fixed worksurface, while all other beams are standard. Below the worksurface, a laminate divider provides both structure as well as privacy. The same 1" square post used at the junctions of the TFL panels, is used along the spine as well.

To allow for the use of accessories and work tools, the top beam of the spine is a Channel Beam. This will allow the user to hang an accessory rail, adding functionality and customization.

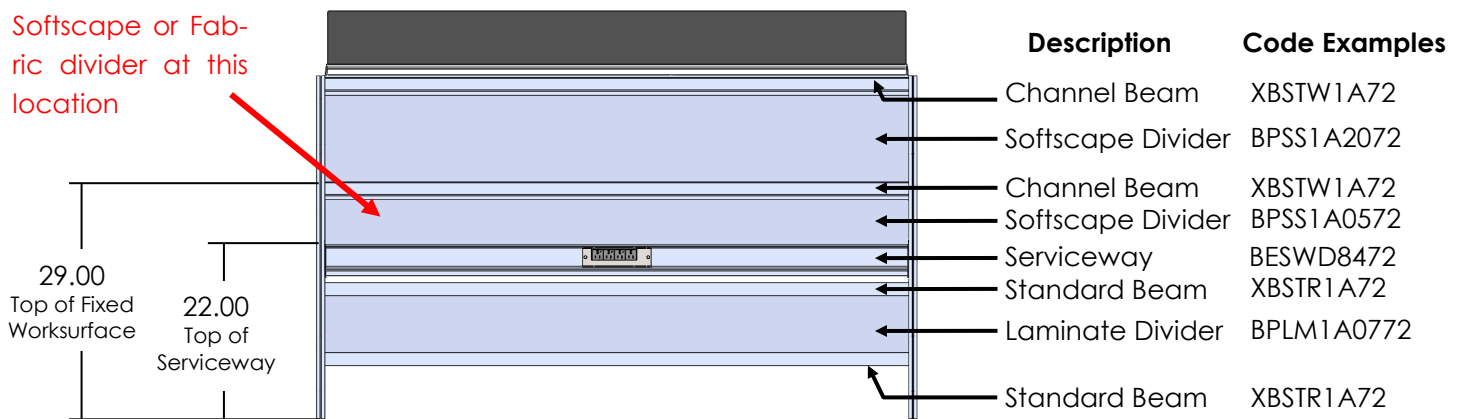


Spine Section for Double Sided, Fixed Height Stations

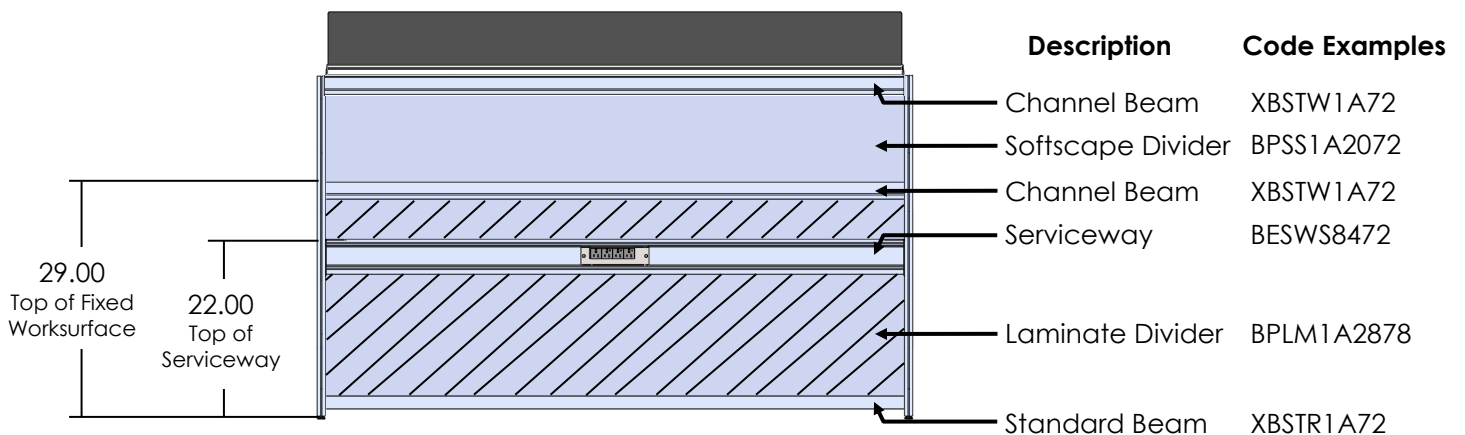


If full privacy for a height adjustable table is required, add the 05" Softscape or Fabric divider at this location

Spine Section for Double Sided, Height Adjustable Table Stations



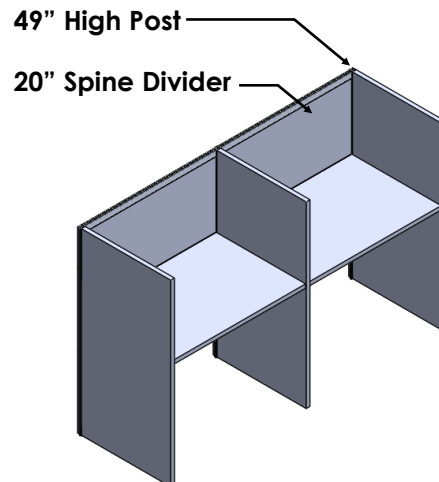
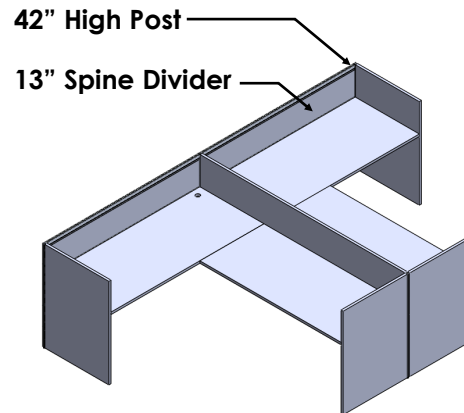
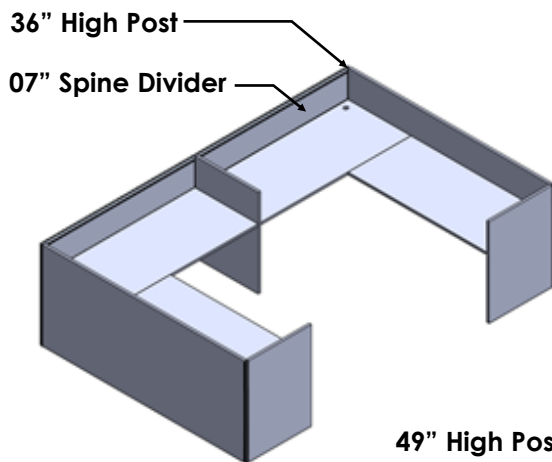
Spine Section for Single Sided Stations



Matching Nominal Spine Upper Divider Heights

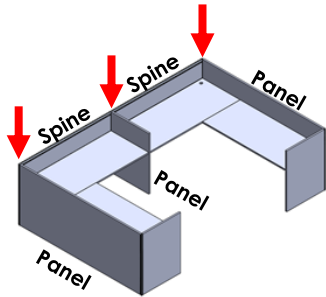
The upper dividers down the Post and Beam spine of the station can offer function or a pop of color. Available materials include frosted, clear, color and whiteboard acrylic. Tackable fabric and softscape can provide functionality along with your color choice. Finally, laminate dividers are available if a consistent aesthetic is required.

Post Height	Upper Divider Height
29" Post	No Upper Dividers
36" Post	07" High Upper Dividers
42" Post	13" High Upper Dividers
49" Post	20" High Upper Dividers



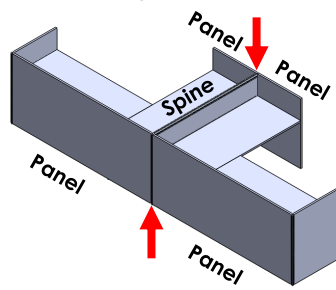
Choosing The Correct Post

Vertical posts are available in five different configurations. The options available represent how the hardware to attach the various Blade Panels is configured. These posts are shipped assembled with the panel connection hardware so it is important to specify the correct post for the correct location. Furthermore, the Post and Beam spine of the station (See pages 14-15) will not require panel connection hardware. Because of this, the description of each post will spell out exactly where the panel connection hardware is located .



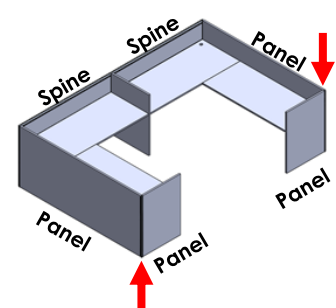
Panel Connection One Side

BPST1AS136 - Blade, 36"H, 1" Sq Post, Panel Connection One Side
(Three of these posts are used in this station)



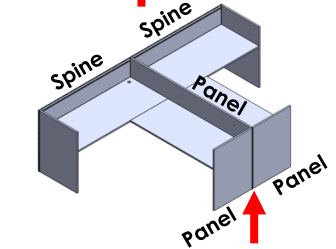
Panel Connection Two Opposite Sides

BPST1AS236 - Blade, 36"H, 1" Sq Post, Panel Connection Two Opposite Sides
(Two of these posts are used in this station)



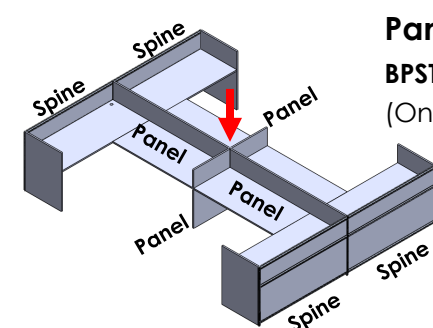
Panel Connection Two Sides - 90 Degrees

BPST1AS29036-Blade, 36"H, 1" Sq Post, Panel Connection Two Sides 90 Degrees
(Two of these posts are used in this station)



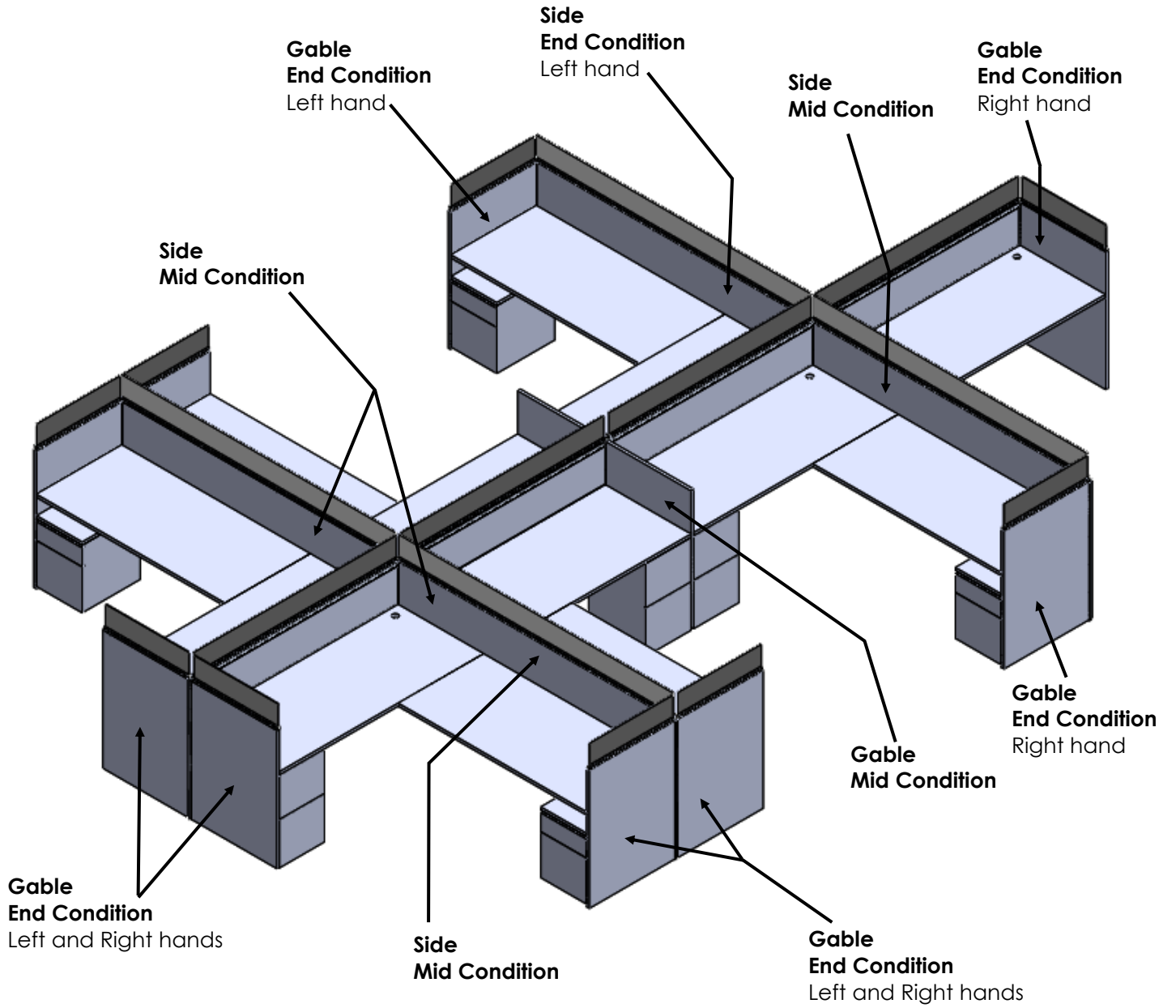
Panel Connection Three Sides

BPST1AS336 - Blade, 36"H, 1" Sq Post, Panel Connection Three Sides
(One of these posts is used in this station)



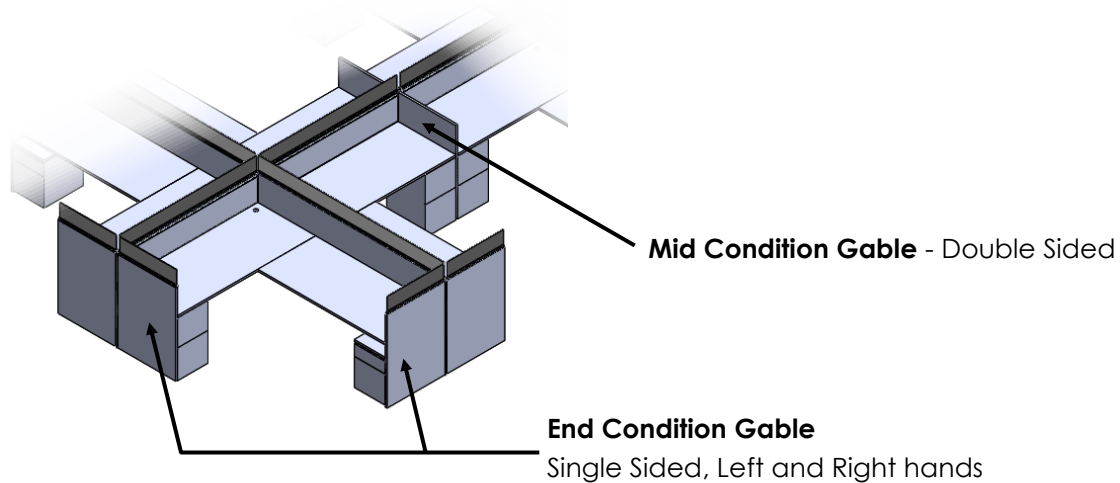
Panel Connection Four Sides

BPST1AS436 - Blade, 36"H, 1" Sq Post, Panel Connection Four Sides
(One of these posts is used in this station)



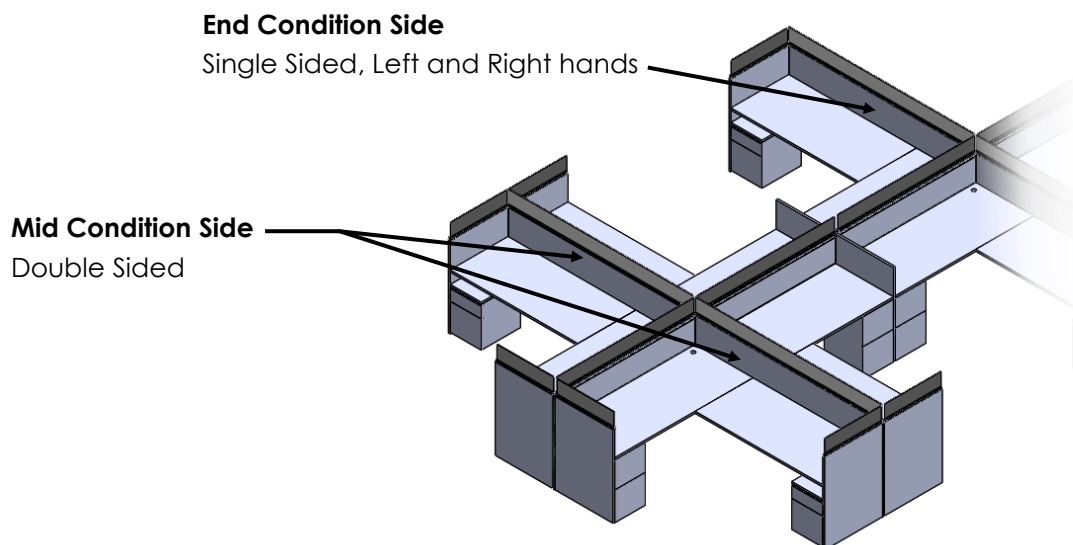
Gable

Gables are available in both **END** and **MID CONDITIONS**. Connecting to only one post, the Gable is intended to divide space between users or add privacy from corridors. The Serviceway electrical channel can connect to these gables, providing electrical and data distribution down the spine of the station. The single sided, End Condition Gables are available in both left and right hands, while the Mid Condition Gable is double sided to support the Serviceway channel, and surfaces on both sides.



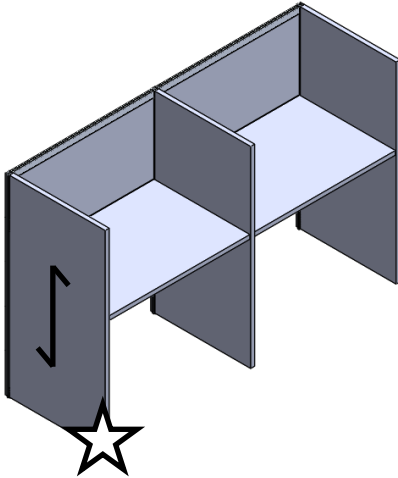
Side

Similar to Gables, Sides are also available in **END** and **MID CONDITIONS**. However, the main difference is that a Side will connect to two post. Because of this, the Side will allow for additional panel connections to add privacy on returns. Intended to come off of the spine of the station, a Side will also support the Serviceway Electrical Channel, providing electrical and data distribution. The single sided, End Condition Sides are available in both left and right hands, while the Mid Condition Side is double sided to support the Serviceway channel, and surfaces on both sides.



How to Spec Grain Direction

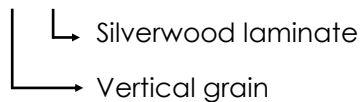
Vertical Grain



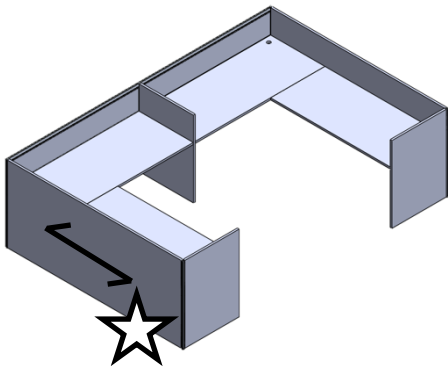
Vertical grain is available on **panels which are 60" wide or less**. Because the grain can be specified by individual panel, it is possible to have both vertical and horizontal grain on the same station.

As an example, the panel shown here is a 49" high x 24" wide, end condition gable, Left. This panel is available in both vertical and Horizontal grain, however it is shown with vertical grain. Therefore, the code would be:

BPGE4924L/V/SW - Blade, 49"H x 24"W Gable, End Condition, Left



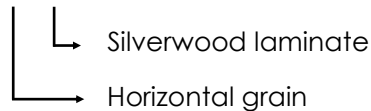
Horizontal Grain



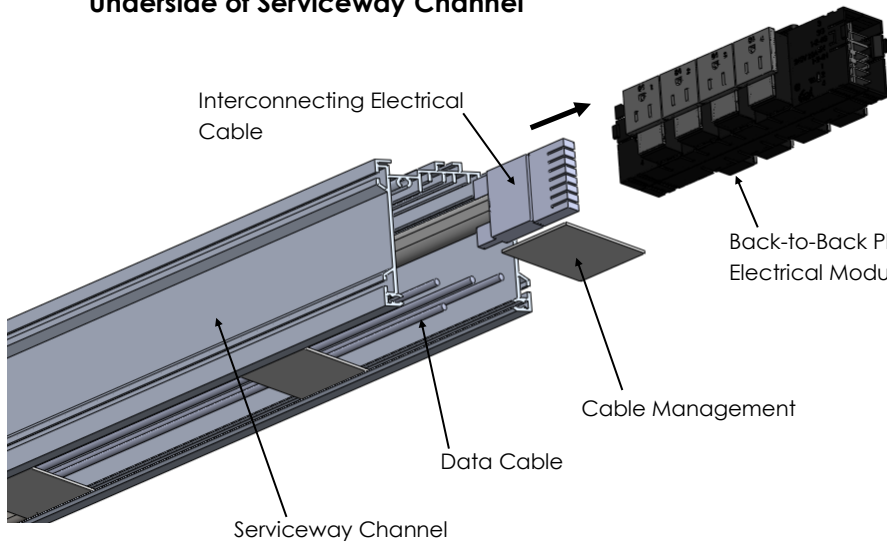
Horizontal grain is available on all . However, horizontal grain is **mandatory on panels which are 66" wide or larger**. Because the grain can be specified by individual panel, it is possible to have both vertical and horizontal grain on the same station.

As an example, the panel shown here is a 42" high x 72" wide, end condition side, Left. This panel is available in Horizontal grain only. Therefore, the code would be:

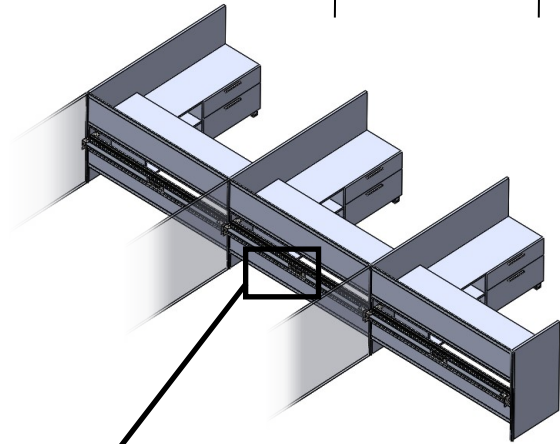
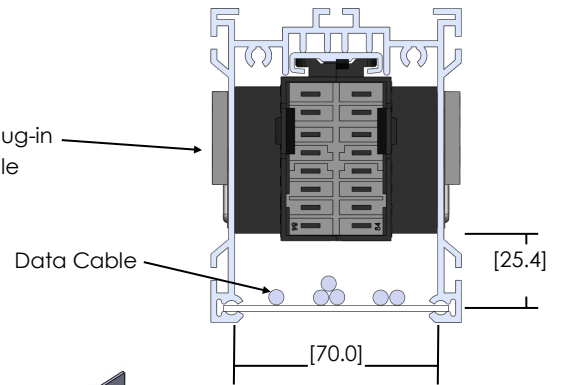
BPSE4272L/H/SW - Blade, 42"H x 72"W Side, End Condition, Left



Underside of Serviceway Channel

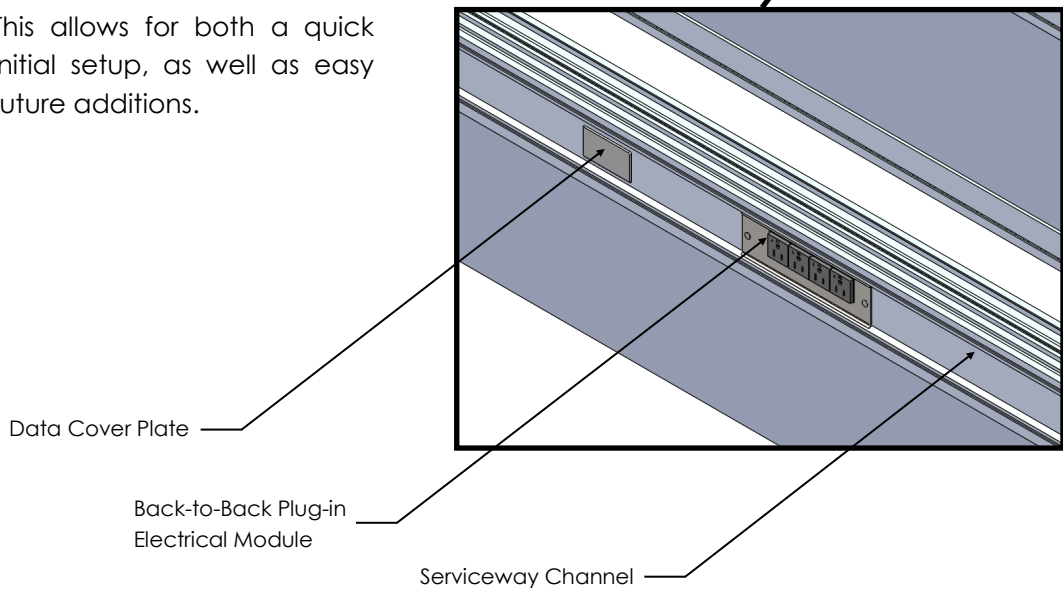


Serviceway Channel Profile



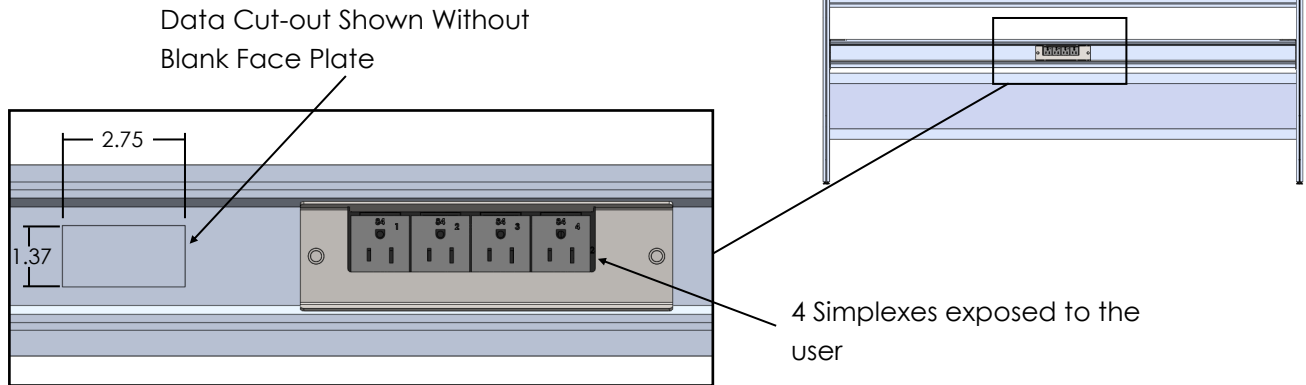
Electrical details

The Serviceway channel provides data and electrical distribution and access. A “plug and play” style interconnecting cable will deliver power from one station to the next. This allows for both a quick initial setup, as well as easy future additions.



Simplex and Data Cut-out Details

The Data Cut-out can support various off the shelf face plates such as Decora or other competitive IT products.

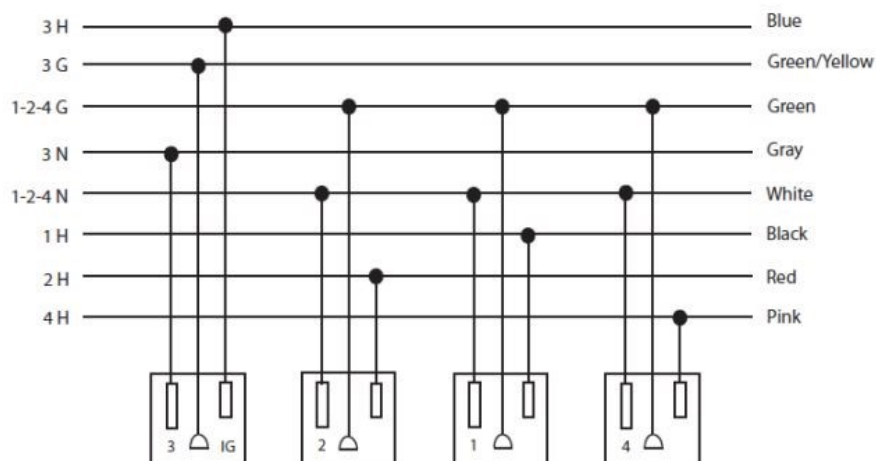


Base Feed Information and Wiring Diagram

Number of Simplexes per Base Feed - An 8wire/4circuit Hardwire Base Feed will allow 20 simplexes (outlets) per circuit. Therefore, one Hardwire 8wire/4circuit Base Feed will provide power for up to twenty users, each with a single #1, #2, #3 and #4 simplex (outlet).

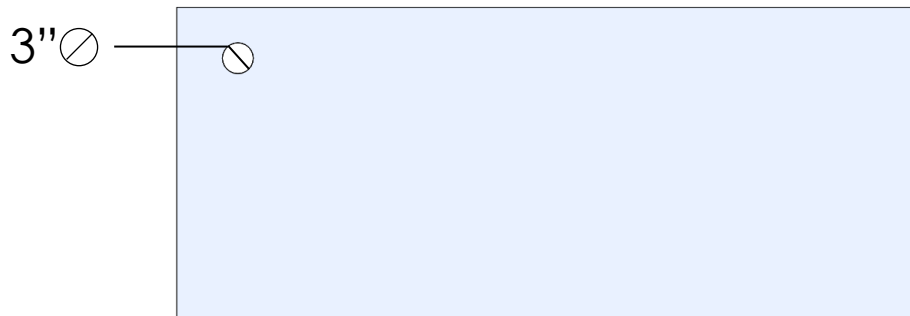
A Plug-in 3wire/1circuit Base Feed will follow the same logic. However, since a Plug-in Base Feed only distributes 1 circuit, the number of users is reduced. The Plug-in Base Feed will provide power for five users, each with four #1 simplexes (outlets)

Wiring - The diagram shown below represents the proper wiring procedure for our 8 Wire/ 4 Circuit Hard-wired Base Feed. In this system, the third circuit is an Isolated Ground.



Workspace Grommets

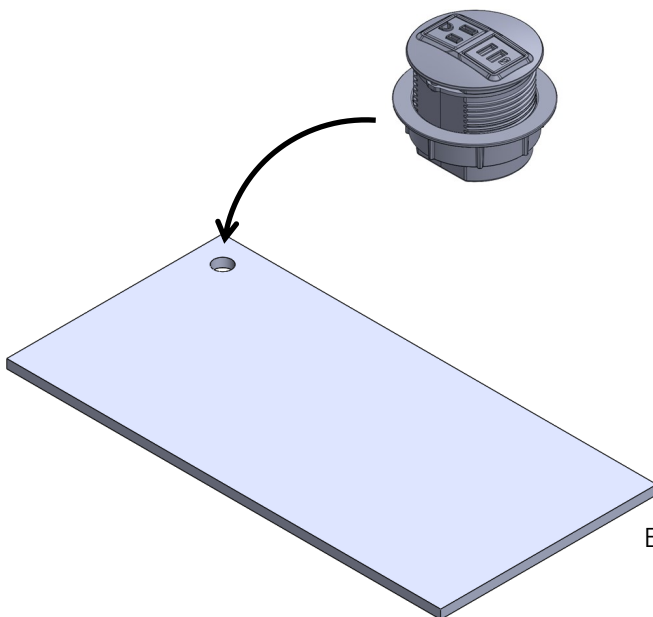
Workspace grommets are available in Grey or White. The 3" diameter grommet is large enough to accommodate multiple wires for proper cable management.



Installation of XNOD Power Module

The XNOD electrical modules are designed to fit in any of the standard Blade grommet surfaces. Therefore, a grommet surface must be specified in conjunction with this electrical module. Simply remove the plastic grommet insert, and install module in grommet hole.

Please note that the cord of the XNOD Modules are 72" long. Please keep this in mind, especially when using this module on a height adjustable table. If a special 120" cord is required, please contact the Workspace Design department (design@fluidgroup.com) for a quote.



Example surface: **BWRT3072GL**

Blade

BPGEL

Gable, End Condition, Left



What's Included:

Blade end condition gable. All necessary hardware.

Finish Options:

Please see www.fluidgroup.com/finishes for finish details.

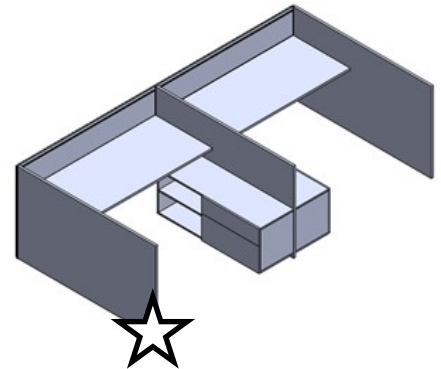
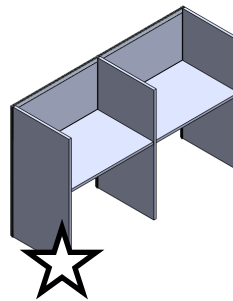
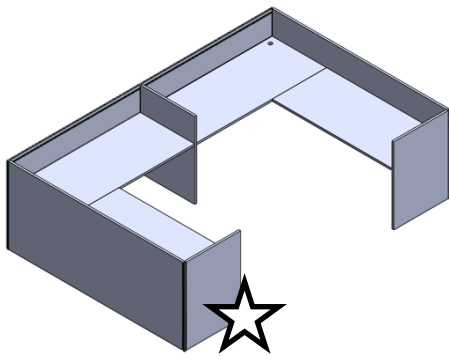
Information Required to Order:

End condition gable code / Grain direction / TFL laminate finish.
For Information on grain direction please See Page 20

Example Spec:

BPGE4260L/H/SW (Horizontal grain, Silverwood laminate)

End Condition Gable, Left - Examples



Product Code	Product Description	Grain Direction
BPGEL2924	Blade, 29"H x 24"W Gable, End Condition, Left	H / V
BPGEL2930	Blade, 29"H x 30"W Gable, End Condition, Left	H / V
BPGEL2936	Blade, 29"H x 36"W Gable, End Condition, Left	H / V
BPGEL2942	Blade, 29"H x 42"W Gable, End Condition, Left	H / V
BPGEL2948	Blade, 29"H x 48"W Gable, End Condition, Left	H / V
BPGEL2954	Blade, 29"H x 54"W Gable, End Condition, Left	H / V *
BPGEL2960	Blade, 29"H x 60"W Gable, End Condition, Left	H / V *
BPGEL2966	Blade, 29"H x 66"W Gable, End Condition, Left	H
BPGEL2972	Blade, 29"H x 72"W Gable, End Condition, Left	H
BPGEL2978	Blade, 29"H x 78"W Gable, End Condition, Left	H
BPGEL2984	Blade, 29"H x 84"W Gable, End Condition, Left	H
BPGEL2990	Blade, 29"H x 90"W Gable, End Condition, Left	H
BPGEL2996	Blade, 29"H x 96"W Gable, End Condition, Left	H

758

Continued on Next Page

Product Code	Product Description	Grain Direction
BPGEL3624	Blade, 36"H x 24"W Gable, End Condition, Left	H / V
BPGEL3630	Blade, 36"H x 30"W Gable, End Condition, Left	H / V
BPGEL3636	Blade, 36"H x 36"W Gable, End Condition, Left	H / V
BPGEL3642	Blade, 36"H x 42"W Gable, End Condition, Left	H / V
BPGEL3648	Blade, 36"H x 48"W Gable, End Condition, Left	H / V
BPGEL3654	Blade, 36"H x 54"W Gable, End Condition, Left	H / V *
BPGEL3660	Blade, 36"H x 60"W Gable, End Condition, Left	H / V *
BPGEL3666	Blade, 36"H x 66"W Gable, End Condition, Left	H
BPGEL3672	Blade, 36"H x 72"W Gable, End Condition, Left	H
BPGEL3678	Blade, 36"H x 78"W Gable, End Condition, Left	H
BPGEL3684	Blade, 36"H x 84"W Gable, End Condition, Left	H
BPGEL3690	Blade, 36"H x 90"W Gable, End Condition, Left	H
BPGEL3696	Blade, 36"H x 96"W Gable, End Condition, Left	H
BPGEL4224	Blade, 42"H x 24"W Gable, End Condition, Left	H / V
BPGEL4230	Blade, 42"H x 30"W Gable, End Condition, Left	H / V
BPGEL4236	Blade, 42"H x 36"W Gable, End Condition, Left	H / V
BPGEL4242	Blade, 42"H x 42"W Gable, End Condition, Left	H / V
BPGEL4248	Blade, 42"H x 48"W Gable, End Condition, Left	H / V
BPGEL4254	Blade, 42"H x 54"W Gable, End Condition, Left	H / V *
BPGEL4260	Blade, 42"H x 60"W Gable, End Condition, Left	H / V *
BPGEL4266	Blade, 42"H x 66"W Gable, End Condition, Left	H
BPGEL4272	Blade, 42"H x 72"W Gable, End Condition, Left	H
BPGEL4278	Blade, 42"H x 78"W Gable, End Condition, Left	H
BPGEL4284	Blade, 42"H x 84"W Gable, End Condition, Left	H
BPGEL4290	Blade, 42"H x 90"W Gable, End Condition, Left	H
BPGEL4296	Blade, 42"H x 96"W Gable, End Condition, Left	H
BPGEL4924	Blade, 49"H x 24"W Gable, End Condition, Left	H / V
BPGEL4930	Blade, 49"H x 30"W Gable, End Condition, Left	H / V
BPGEL4936	Blade, 49"H x 36"W Gable, End Condition, Left	H / V
BPGEL4942	Blade, 49"H x 42"W Gable, End Condition, Left	H / V
BPGEL4948	Blade, 49"H x 48"W Gable, End Condition, Left	H / V
BPGEL4954	Blade, 49"H x 54"W Gable, End Condition, Left	H / V *
BPGEL4960	Blade, 49"H x 60"W Gable, End Condition, Left	H / V *
BPGEL4966	Blade, 49"H x 66"W Gable, End Condition, Left	H
BPGEL4972	Blade, 49"H x 72"W Gable, End Condition, Left	H
BPGEL4978	Blade, 49"H x 78"W Gable, End Condition, Left	H
BPGEL4984	Blade, 49"H x 84"W Gable, End Condition, Left	H
BPGEL4990	Blade, 49"H x 90"W Gable, End Condition, Left	H
BPGEL4996	Blade, 49"H x 96"W Gable, End Condition, Left	H

Blade

BPGER

Gable, End Condition, Right



What's Included:

Blade end condition gable. All necessary hardware.

Finish Options:

Please see www.fluidgroup.com/finishes for finish details.

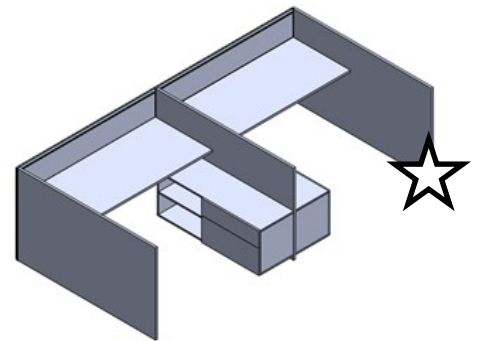
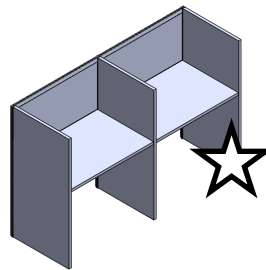
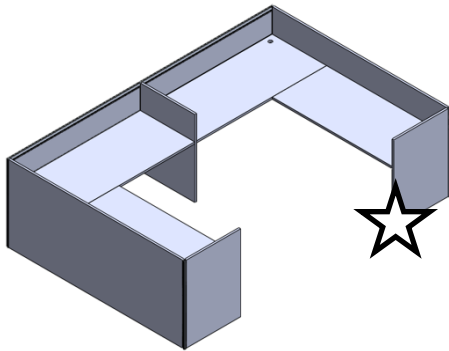
Information Required to Order:

End condition gable code / Grain direction / TFL laminate finish.
For information on grain direction please see page 20

Example Spec:

BPGE4260R/H/SW (Horizontal grain, Silverwood laminate)

End Condition Gable, Right - Examples



Product Code	Product Description	Grain Direction
BPGER2924	Blade, 29"H x 24"W Gable, End Condition, Right	H / V
BPGER2930	Blade, 29"H x 30"W Gable, End Condition, Right	H / V
BPGER2936	Blade, 29"H x 36"W Gable, End Condition, Right	H / V
BPGER2942	Blade, 29"H x 42"W Gable, End Condition, Right	H / V
BPGER2948	Blade, 29"H x 48"W Gable, End Condition, Right	H / V
BPGER2954	Blade, 29"H x 54"W Gable, End Condition, Right	H / V *
BPGER2960	Blade, 29"H x 60"W Gable, End Condition, Right	H / V *
BPGER2966	Blade, 29"H x 66"W Gable, End Condition, Right	H
BPGER2972	Blade, 29"H x 72"W Gable, End Condition, Right	H
BPGER2978	Blade, 29"H x 78"W Gable, End Condition, Right	H
BPGER2984	Blade, 29"H x 84"W Gable, End Condition, Right	H
BPGER2990	Blade, 29"H x 90"W Gable, End Condition, Right	H
BPGER2996	Blade, 29"H x 96"W Gable, End Condition, Right	H

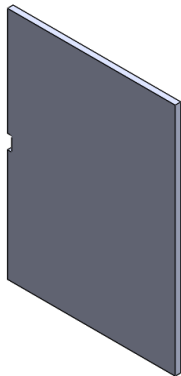
Continued on Next Page

Product Code	Product Description	Grain Direction
BPGER3624	Blade, 36"H x 24"W Gable, End Condition, Right	H / V
BPGER3630	Blade, 36"H x 30"W Gable, End Condition, Right	H / V
BPGER3636	Blade, 36"H x 36"W Gable, End Condition, Right	H / V
BPGER3642	Blade, 36"H x 42"W Gable, End Condition, Right	H / V
BPGER3648	Blade, 36"H x 48"W Gable, End Condition, Right	H / V
BPGER3654	Blade, 36"H x 54"W Gable, End Condition, Right	H / V *
BPGER3660	Blade, 36"H x 60"W Gable, End Condition, Right	H / V *
BPGER3666	Blade, 36"H x 66"W Gable, End Condition, Right	H
BPGER3672	Blade, 36"H x 72"W Gable, End Condition, Right	H
BPGER3678	Blade, 36"H x 78"W Gable, End Condition, Right	H
BPGER3684	Blade, 36"H x 84"W Gable, End Condition, Right	H
BPGER3690	Blade, 36"H x 90"W Gable, End Condition, Right	H
BPGER3696	Blade, 36"H x 96"W Gable, End Condition, Right	H
BPGER4224	Blade, 42"H x 24"W Gable, End Condition, Right	H / V
BPGER4230	Blade, 42"H x 30"W Gable, End Condition, Right	H / V
BPGER4236	Blade, 42"H x 36"W Gable, End Condition, Right	H / V
BPGER4242	Blade, 42"H x 42"W Gable, End Condition, Right	H / V
BPGER4248	Blade, 42"H x 48"W Gable, End Condition, Right	H / V
BPGER4254	Blade, 42"H x 54"W Gable, End Condition, Right	H / V *
BPGER4260	Blade, 42"H x 60"W Gable, End Condition, Right	H / V *
BPGER4266	Blade, 42"H x 66"W Gable, End Condition, Right	H
BPGER4272	Blade, 42"H x 72"W Gable, End Condition, Right	H
BPGER4278	Blade, 42"H x 78"W Gable, End Condition, Right	H
BPGER4284	Blade, 42"H x 84"W Gable, End Condition, Right	H
BPGER4290	Blade, 42"H x 90"W Gable, End Condition, Right	H
BPGER4296	Blade, 42"H x 96"W Gable, End Condition, Right	H
BPGER4924	Blade, 49"H x 24"W Gable, End Condition, Right	H / V
BPGER4930	Blade, 49"H x 30"W Gable, End Condition, Right	H / V
BPGER4936	Blade, 49"H x 36"W Gable, End Condition, Right	H / V
BPGER4942	Blade, 49"H x 42"W Gable, End Condition, Right	H / V
BPGER4948	Blade, 49"H x 48"W Gable, End Condition, Right	H / V
BPGER4954	Blade, 49"H x 54"W Gable, End Condition, Right	H / V *
BPGER4960	Blade, 49"H x 60"W Gable, End Condition, Right	H / V *
BPGER4966	Blade, 49"H x 66"W Gable, End Condition, Right	H
BPGER4972	Blade, 49"H x 72"W Gable, End Condition, Right	H
BPGER4978	Blade, 49"H x 78"W Gable, End Condition, Right	H
BPGER4984	Blade, 49"H x 84"W Gable, End Condition, Right	H
BPGER4990	Blade, 49"H x 90"W Gable, End Condition, Right	H
BPGER4996	Blade, 49"H x 96"W Gable, End Condition, Right	H

Blade

BPGM

Gable, Mid Condition



What's Included:

Blade mid condition gable. All necessary hardware.

Finish Options:

Please see www.fluidgroup.com/finishes for finish details.

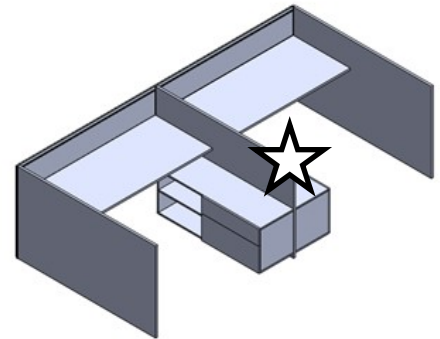
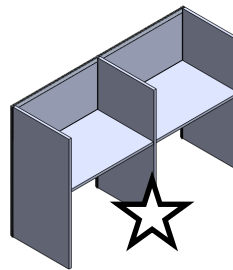
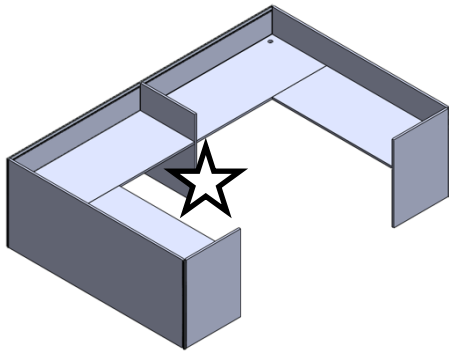
Information Required to Order:

Mid condition gable code / grain direction / TFL laminate finish.
For information on grain direction please see page 20

Example Spec:

BPGM4260/H/SW (Horizontal grain, Silverwood laminate)

Mid Condition Gable - Examples



Product Code	Product Description	Grain Direction
BPGM2924	Blade, 29"H x 24"W Gable, Mid Condition	H / V
BPGM2930	Blade, 29"H x 30"W Gable, Mid Condition	H / V
BPGM2936	Blade, 29"H x 36"W Gable, Mid Condition	H / V
BPGM2942	Blade, 29"H x 42"W Gable, Mid Condition	H / V
BPGM2948	Blade, 29"H x 48"W Gable, Mid Condition	H / V
BPGM2954	Blade, 29"H x 54"W Gable, Mid Condition	H / V *
BPGM2960	Blade, 29"H x 60"W Gable, Mid Condition	H / V *
BPGM2966	Blade, 29"H x 66"W Gable, Mid Condition	H
BPGM2972	Blade, 29"H x 72"W Gable, Mid Condition	H
BPGM2978	Blade, 29"H x 78"W Gable, Mid Condition	H
BPGM2984	Blade, 29"H x 84"W Gable, Mid Condition	H
BPGM2990	Blade, 29"H x 90"W Gable, Mid Condition	H
BPGM2996	Blade, 29"H x 96"W Gable, Mid Condition	H

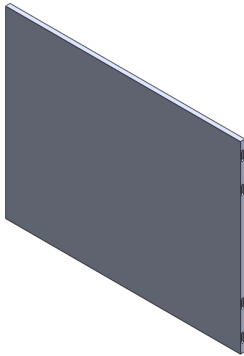
Continued on Next Page

Product Code	Product Description	Grain Direction
BPGM3624	Blade, 36"H x 24"W Gable, Mid Condition	H / V
BPGM3630	Blade, 36"H x 30"W Gable, Mid Condition	H / V
BPGM3636	Blade, 36"H x 36"W Gable, Mid Condition	H / V
BPGM3642	Blade, 36"H x 42"W Gable, Mid Condition	H / V
BPGM3648	Blade, 36"H x 48"W Gable, Mid Condition	H / V
BPGM3654	Blade, 36"H x 54"W Gable, Mid Condition	H / V *
BPGM3660	Blade, 36"H x 60"W Gable, Mid Condition	H / V *
BPGM3666	Blade, 36"H x 66"W Gable, Mid Condition	H
BPGM3672	Blade, 36"H x 72"W Gable, Mid Condition	H
BPGM3678	Blade, 36"H x 78"W Gable, Mid Condition	H
BPGM3684	Blade, 36"H x 84"W Gable, Mid Condition	H
BPGM3690	Blade, 36"H x 90"W Gable, Mid Condition	H
BPGM3696	Blade, 36"H x 96"W Gable, Mid Condition	H
BPGM4224	Blade, 42"H x 24"W Gable, Mid Condition	H / V
BPGM4230	Blade, 42"H x 30"W Gable, Mid Condition	H / V
BPGM4236	Blade, 42"H x 36"W Gable, Mid Condition	H / V
BPGM4242	Blade, 42"H x 42"W Gable, Mid Condition	H / V
BPGM4248	Blade, 42"H x 48"W Gable, Mid Condition	H / V
BPGM4254	Blade, 42"H x 54"W Gable, Mid Condition	H / V *
BPGM4260	Blade, 42"H x 60"W Gable, Mid Condition	H / V *
BPGM4266	Blade, 42"H x 66"W Gable, Mid Condition	H
BPGM4272	Blade, 42"H x 72"W Gable, Mid Condition	H
BPGM4278	Blade, 42"H x 78"W Gable, Mid Condition	H
BPGM4284	Blade, 42"H x 84"W Gable, Mid Condition	H
BPGM4290	Blade, 42"H x 90"W Gable, Mid Condition	H
BPGM4296	Blade, 42"H x 96"W Gable, Mid Condition	H
BPGM4924	Blade, 49"H x 24"W Gable, Mid Condition	H / V
BPGM4930	Blade, 49"H x 30"W Gable, Mid Condition	H / V
BPGM4936	Blade, 49"H x 36"W Gable, Mid Condition	H / V
BPGM4942	Blade, 49"H x 42"W Gable, Mid Condition	H / V
BPGM4948	Blade, 49"H x 48"W Gable, Mid Condition	H / V
BPGM4954	Blade, 49"H x 54"W Gable, Mid Condition	H / V *
BPGM4960	Blade, 49"H x 60"W Gable, Mid Condition	H / V *
BPGM4966	Blade, 49"H x 66"W Gable, Mid Condition	H
BPGM4972	Blade, 49"H x 72"W Gable, Mid Condition	H
BPGM4978	Blade, 49"H x 78"W Gable, Mid Condition	H
BPGM4984	Blade, 49"H x 84"W Gable, Mid Condition	H
BPGM4990	Blade, 49"H x 90"W Gable, Mid Condition	H
BPGM4996	Blade, 49"H x 96"W Gable, Mid Condition	H

Blade

BPSEL

Side, End Condition, Left



What's Included:

Blade end condition side. All necessary hardware.

Finish Options:

Please see www.fluidgroup.com/finishes for finish details.

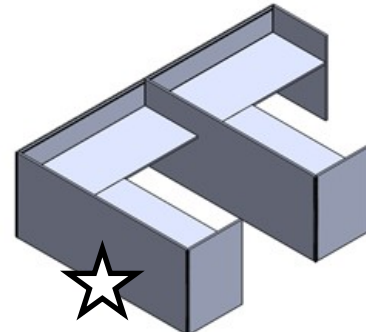
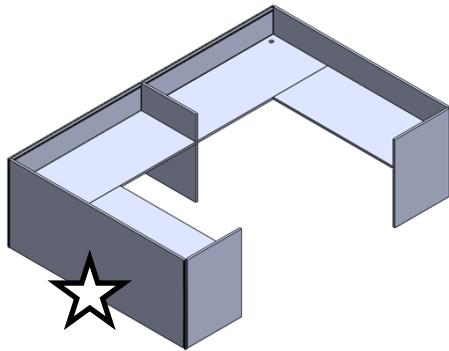
Information Required to Order:

End condition side code / Grain direction / TFL laminate finish.
For information on grain direction please see page 20

Example Spec:

BPSE4260L/H/SW (Horizontal grain, Silverwood laminate)

End Condition Side, Left - Examples



Product Code	Product Description	Grain Direction
BPSEL2924	Blade, 29"H x 24"W Side, End Condition, Left	H / V
BPSEL2930	Blade, 29"H x 30"W Side, End Condition, Left	H / V
BPSEL2936	Blade, 29"H x 36"W Side, End Condition, Left	H / V
BPSEL2942	Blade, 29"H x 42"W Side, End Condition, Left	H / V
BPSEL2948	Blade, 29"H x 48"W Side, End Condition, Left	H / V
BPSEL2954	Blade, 29"H x 54"W Side, End Condition, Left	H / V *
BPSEL2960	Blade, 29"H x 60"W Side, End Condition, Left	H / V *
BPSEL2966	Blade, 29"H x 66"W Side, End Condition, Left	H
BPSEL2972	Blade, 29"H x 72"W Side, End Condition, Left	H
BPSEL2978	Blade, 29"H x 78"W Side, End Condition, Left	H
BPSEL2984	Blade, 29"H x 84"W Side, End Condition, Left	H
BPSEL2990	Blade, 29"H x 90"W Side, End Condition, Left	H
BPSEL2996	Blade, 29"H x 96"W Side, End Condition, Left	H

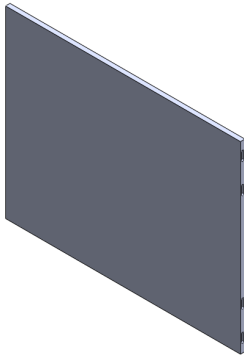
Continued on Next Page

Product Code	Product Description	Grain Direction
BPSEL3624	Blade, 36"H x 24"W Side, End Condition, Left	H / V
BPSEL3630	Blade, 36"H x 30"W Side, End Condition, Left	H / V
BPSEL3636	Blade, 36"H x 36"W Side, End Condition, Left	H / V
BPSEL3642	Blade, 36"H x 42"W Side, End Condition, Left	H / V
BPSEL3648	Blade, 36"H x 48"W Side, End Condition, Left	H / V
BPSEL3654	Blade, 36"H x 54"W Side, End Condition, Left	H / V *
BPSEL3660	Blade, 36"H x 60"W Side, End Condition, Left	H / V *
BPSEL3666	Blade, 36"H x 66"W Side, End Condition, Left	H
BPSEL3672	Blade, 36"H x 72"W Side, End Condition, Left	H
BPSEL3678	Blade, 36"H x 78"W Side, End Condition, Left	H
BPSEL3684	Blade, 36"H x 84"W Side, End Condition, Left	H
BPSEL3690	Blade, 36"H x 90"W Side, End Condition, Left	H
BPSEL3696	Blade, 36"H x 96"W Side, End Condition, Left	H
BPSEL4224	Blade, 42"H x 24"W Side, End Condition, Left	H / V
BPSEL4230	Blade, 42"H x 30"W Side, End Condition, Left	H / V
BPSEL4236	Blade, 42"H x 36"W Side, End Condition, Left	H / V
BPSEL4242	Blade, 42"H x 42"W Side, End Condition, Left	H / V
BPSEL4248	Blade, 42"H x 48"W Side, End Condition, Left	H / V
BPSEL4254	Blade, 42"H x 54"W Side, End Condition, Left	H / V *
BPSEL4260	Blade, 42"H x 60"W Side, End Condition, Left	H / V *
BPSEL4266	Blade, 42"H x 66"W Side, End Condition, Left	H
BPSEL4272	Blade, 42"H x 72"W Side, End Condition, Left	H
BPSEL4278	Blade, 42"H x 78"W Side, End Condition, Left	H
BPSEL4284	Blade, 42"H x 84"W Side, End Condition, Left	H
BPSEL4290	Blade, 42"H x 90"W Side, End Condition, Left	H
BPSEL4296	Blade, 42"H x 96"W Side, End Condition, Left	H
BPSEL4924	Blade, 49"H x 24"W Side, End Condition, Left	H / V
BPSEL4930	Blade, 49"H x 30"W Side, End Condition, Left	H / V
BPSEL4936	Blade, 49"H x 36"W Side, End Condition, Left	H / V
BPSEL4942	Blade, 49"H x 42"W Side, End Condition, Left	H / V
BPSEL4948	Blade, 49"H x 48"W Side, End Condition, Left	H / V
BPSEL4954	Blade, 49"H x 54"W Side, End Condition, Left	H / V *
BPSEL4960	Blade, 49"H x 60"W Side, End Condition, Left	H / V *
BPSEL4966	Blade, 49"H x 66"W Side, End Condition, Left	H
BPSEL4972	Blade, 49"H x 72"W Side, End Condition, Left	H
BPSEL4978	Blade, 49"H x 78"W Side, End Condition, Left	H
BPSEL4984	Blade, 49"H x 84"W Side, End Condition, Left	H
BPSEL4990	Blade, 49"H x 90"W Side, End Condition, Left	H
BPSEL4996	Blade, 49"H x 96"W Side, End Condition, Left	H

Blade

BPSER

Side, End Condition, Right



What's Included:

Blade end condition side. All necessary hardware.

Finish Options:

Please see www.fluidgroup.com/finishes for finish details.

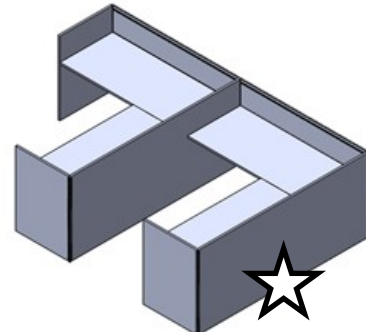
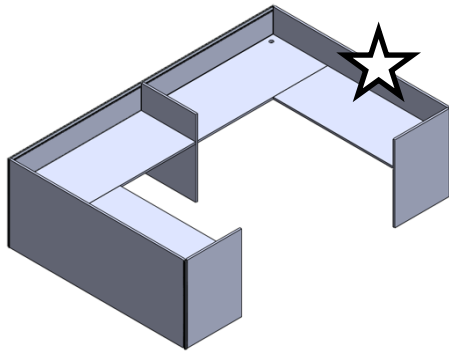
Information Required to Order:

End condition side code / Grain direction / TFL laminate finish.
For information on grain direction please see page 20

Example Spec:

BPSE4260R/H/SW (Horizontal grain, Silverwood laminate)

End Condition Side, Right - Examples



Product Code	Product Description	Grain Direction
BPSER2924	Blade, 29"H x 24"W Side, End Condition, Right	H / V
BPSER2930	Blade, 29"H x 30"W Side, End Condition, Right	H / V
BPSER2936	Blade, 29"H x 36"W Side, End Condition, Right	H / V
BPSER2942	Blade, 29"H x 42"W Side, End Condition, Right	H / V
BPSER2948	Blade, 29"H x 48"W Side, End Condition, Right	H / V
BPSER2954	Blade, 29"H x 54"W Side, End Condition, Right	H / V *
BPSER2960	Blade, 29"H x 60"W Side, End Condition, Right	H / V *
BPSER2966	Blade, 29"H x 66"W Side, End Condition, Right	H
BPSER2972	Blade, 29"H x 72"W Side, End Condition, Right	H
BPSER2978	Blade, 29"H x 78"W Side, End Condition, Right	H
BPSER2984	Blade, 29"H x 84"W Side, End Condition, Right	H
BPSER2990	Blade, 29"H x 90"W Side, End Condition, Right	H
BPSER2996	Blade, 29"H x 96"W Side, End Condition, Right	H

Product Code	Product Description	Grain Direction
BP SER3624	Blade, 36"H x 24"W Side, End Condition, Right	H / V
BP SER3630	Blade, 36"H x 30"W Side, End Condition, Right	H / V
BP SER3636	Blade, 36"H x 36"W Side, End Condition, Right	H / V
BP SER3642	Blade, 36"H x 42"W Side, End Condition, Right	H / V
BP SER3648	Blade, 36"H x 48"W Side, End Condition, Right	H / V
BP SER3654	Blade, 36"H x 54"W Side, End Condition, Right	H / V *
BP SER3660	Blade, 36"H x 60"W Side, End Condition, Right	H / V *
BP SER3666	Blade, 36"H x 66"W Side, End Condition, Right	H
BP SER3672	Blade, 36"H x 72"W Side, End Condition, Right	H
BP SER3678	Blade, 36"H x 78"W Side, End Condition, Right	H
BP SER3684	Blade, 36"H x 84"W Side, End Condition, Right	H
BP SER3690	Blade, 36"H x 90"W Side, End Condition, Right	H
BP SER3696	Blade, 36"H x 96"W Side, End Condition, Right	H
BP SER4224	Blade, 42"H x 24"W Side, End Condition, Right	H / V
BP SER4230	Blade, 42"H x 30"W Side, End Condition, Right	H / V
BP SER4236	Blade, 42"H x 36"W Side, End Condition, Right	H / V
BP SER4242	Blade, 42"H x 42"W Side, End Condition, Right	H / V
BP SER4248	Blade, 42"H x 48"W Side, End Condition, Right	H / V
BP SER4254	Blade, 42"H x 54"W Side, End Condition, Right	H / V *
BP SER4260	Blade, 42"H x 60"W Side, End Condition, Right	H / V *
BP SER4266	Blade, 42"H x 66"W Side, End Condition, Right	H
BP SER4272	Blade, 42"H x 72"W Side, End Condition, Right	H
BP SER4278	Blade, 42"H x 78"W Side, End Condition, Right	H
BP SER4284	Blade, 42"H x 84"W Side, End Condition, Right	H
BP SER4290	Blade, 42"H x 90"W Side, End Condition, Right	H
BP SER4296	Blade, 42"H x 96"W Side, End Condition, Right	H
BP SER4924	Blade, 49"H x 24"W Side, End Condition, Right	H / V
BP SER4930	Blade, 49"H x 30"W Side, End Condition, Right	H / V
BP SER4936	Blade, 49"H x 36"W Side, End Condition, Right	H / V
BP SER4942	Blade, 49"H x 42"W Side, End Condition, Right	H / V
BP SER4948	Blade, 49"H x 48"W Side, End Condition, Right	H / V
BP SER4954	Blade, 49"H x 54"W Side, End Condition, Right	H / V *
BP SER4960	Blade, 49"H x 60"W Side, End Condition, Right	H / V *
BP SER4966	Blade, 49"H x 66"W Side, End Condition, Right	H
BP SER4972	Blade, 49"H x 72"W Side, End Condition, Right	H
BP SER4978	Blade, 49"H x 78"W Side, End Condition, Right	H
BP SER4984	Blade, 49"H x 84"W Side, End Condition, Right	H
BP SER4990	Blade, 49"H x 90"W Side, End Condition, Right	H
BP SER4996	Blade, 49"H x 96"W Side, End Condition, Right	H

Blade

BPSM

Side, Mid Condition



What's Included:

Blade mid condition side. All necessary hardware.

Finish Options:

Please see www.fluidgroup.com/finishes for finish details.

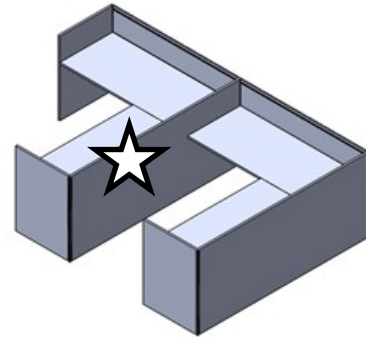
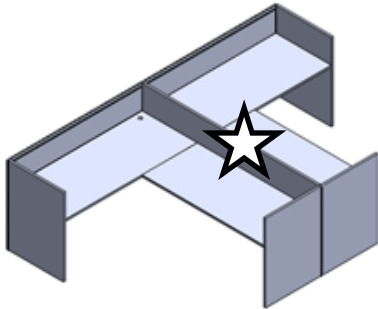
Information Required to Order:

End condition side code / Grain direction / TFL laminate finish.
For information on grain direction please see page 20

Example Spec:

BPSM4260/H/SW (Horizontal grain, Silverwood laminate)

Mid Condition Side - Examples



Product Code	Product Description	Grain Direction
BPSM2924	Blade, 29"H x 24"W Side, Mid Condition	H / V
BPSM2930	Blade, 29"H x 30"W Side, Mid Condition	H / V
BPSM2936	Blade, 29"H x 36"W Side, Mid Condition	H / V
BPSM2942	Blade, 29"H x 42"W Side, Mid Condition	H / V
BPSM2948	Blade, 29"H x 48"W Side, Mid Condition	H / V
BPSM2954	Blade, 29"H x 54"W Side, Mid Condition	H / V *
BPSM2960	Blade, 29"H x 60"W Side, Mid Condition	H / V *
BPSM2966	Blade, 29"H x 66"W Side, Mid Condition	H
BPSM2972	Blade, 29"H x 72"W Side, Mid Condition	H
BPSM2978	Blade, 29"H x 78"W Side, Mid Condition	H
BPSM2984	Blade, 29"H x 84"W Side, Mid Condition	H
BPSM2990	Blade, 29"H x 90"W Side, Mid Condition	H
BPSM2996	Blade, 29"H x 96"W Side, Mid Condition	H

Product Code	Product Description	Grain Direction
BPSM3624	Blade, 36"H x 24"W Side, Mid Condition	H / V
BPSM3630	Blade, 36"H x 30"W Side, Mid Condition	H / V
BPSM3636	Blade, 36"H x 36"W Side, Mid Condition	H / V
BPSM3642	Blade, 36"H x 42"W Side, Mid Condition	H / V
BPSM3648	Blade, 36"H x 48"W Side, Mid Condition	H / V
BPSM3654	Blade, 36"H x 54"W Side, Mid Condition	H / V *
BPSM3660	Blade, 36"H x 60"W Side, Mid Condition	H / V *
BPSM3666	Blade, 36"H x 66"W Side, Mid Condition	H
BPSM3672	Blade, 36"H x 72"W Side, Mid Condition	H
BPSM3678	Blade, 36"H x 78"W Side, Mid Condition	H
BPSM3684	Blade, 36"H x 84"W Side, Mid Condition	H
BPSM3690	Blade, 36"H x 90"W Side, Mid Condition	H
BPSM3696	Blade, 36"H x 96"W Side, Mid Condition	H
BPSM4224	Blade, 42"H x 24"W Side, Mid Condition	H / V
BPSM4230	Blade, 42"H x 30"W Side, Mid Condition	H / V
BPSM4236	Blade, 42"H x 36"W Side, Mid Condition	H / V
BPSM4242	Blade, 42"H x 42"W Side, Mid Condition	H / V
BPSM4248	Blade, 42"H x 48"W Side, Mid Condition	H / V
BPSM4254	Blade, 42"H x 54"W Side, Mid Condition	H / V *
BPSM4260	Blade, 42"H x 60"W Side, Mid Condition	H / V *
BPSM4266	Blade, 42"H x 66"W Side, Mid Condition	H
BPSM4272	Blade, 42"H x 72"W Side, Mid Condition	H
BPSM4278	Blade, 42"H x 78"W Side, Mid Condition	H
BPSM4284	Blade, 42"H x 84"W Side, Mid Condition	H
BPSM4290	Blade, 42"H x 90"W Side, Mid Condition	H
BPSM4296	Blade, 42"H x 96"W Side, Mid Condition	H
BPSM4924	Blade, 49"H x 24"W Side, Mid Condition	H / V
BPSM4930	Blade, 49"H x 30"W Side, Mid Condition	H / V
BPSM4936	Blade, 49"H x 36"W Side, Mid Condition	H / V
BPSM4942	Blade, 49"H x 42"W Side, Mid Condition	H / V
BPSM4948	Blade, 49"H x 48"W Side, Mid Condition	H / V
BPSM4954	Blade, 49"H x 54"W Side, Mid Condition	H / V *
BPSM4960	Blade, 49"H x 60"W Side, Mid Condition	H / V *
BPSM4966	Blade, 49"H x 66"W Side, Mid Condition	H
BPSM4972	Blade, 49"H x 72"W Side, Mid Condition	H
BPSM4978	Blade, 49"H x 78"W Side, Mid Condition	H
BPSM4984	Blade, 49"H x 84"W Side, Mid Condition	H
BPSM4990	Blade, 49"H x 90"W Side, Mid Condition	H
BPSM4996	Blade, 49"H x 96"W Side, Mid Condition	H

Blade

BPST

1" x 1" Square Post



What's Included:

1" x 1" square post. Top cap. Leveler. All necessary hardware.

Finish Options:

Please see www.fluidgroup.com/finishes for finish details.

Information Required to Order:

Blade post code / structures finish.

Example Spec:

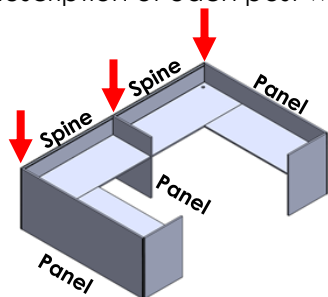
BPST1A42S2/ANO (Anodized)

Product Code	Product Description
BPST1A29	Blade, 29"H - 1" Square Post, 4 Slot, 90
BPST1A36	Blade, 36"H - 1" Square Post, 4 Slot, 90
BPST1A42	Blade, 42"H - 1" Square Post, 4 Slot, 90
BPST1A49	Blade, 49"H - 1" Square Post, 4 Slot, 90
BPST1AS129	Blade, 29"H, 1" Sq Post, Divider Connection One Side
BPST1AS136	Blade, 36"H, 1" Sq Post, Divider Connection One Side
BPST1AS142	Blade, 42"H, 1" Sq Post, Divider Connection One Side
BPST1AS149	Blade, 49"H, 1" Sq Post, Divider Connection One Side
BPST1AS229	Blade, 29"H, 1" Sq Post, Divider Connection Two Opposite Sides
BPST1AS236	Blade, 36"H, 1" Sq Post, Divider Connection Two Opposite Sides
BPST1AS242	Blade, 42"H, 1" Sq Post, Divider Connection Two Opposite Sides
BPST1AS249	Blade, 49"H, 1" Sq Post, Divider Connection Two Opposite Sides
BPST1AS29029	Blade, 29"H, 1" Sq Post, Divider Connection Two Sides - 90 Degrees
BPST1AS29036	Blade, 36"H, 1" Sq Post, Divider Connection Two Sides - 90 Degrees
BPST1AS29042	Blade, 42"H, 1" Sq Post, Divider Connection Two Sides - 90 Degrees
BPST1AS29049	Blade, 49"H, 1" Sq Post, Divider Connection Two Sides - 90 Degrees
BPST1AS329	Blade, 29"H, 1" Sq Post, Divider Connection Three Sides
BPST1AS336	Blade, 36"H, 1" Sq Post, Divider Connection Three Sides
BPST1AS342	Blade, 42"H, 1" Sq Post, Divider Connection Three Sides
BPST1AS349	Blade, 49"H, 1" Sq Post, Divider Connection Three Sides
BPST1AS429	Blade, 29"H, 1" Sq Post, Divider Connection Four Sides
BPST1AS436	Blade, 36"H, 1" Sq Post, Divider Connection Four Sides
BPST1AS442	Blade, 42"H, 1" Sq Post, Divider Connection Four Sides
BPST1AS449	Blade, 49"H, 1" Sq Post, Divider Connection Four Sides

242 279

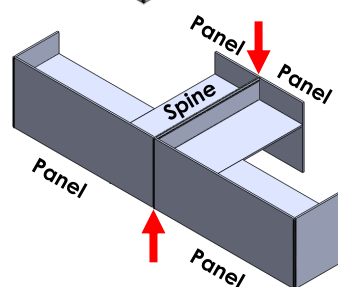
Choosing The Correct Post

Vertical posts are available in five different configurations. The options available represent how the hardware to attach the various Blade Panels is configured. These posts are shipped assembled with the panel connection hardware so it is important to specify the correct post for the correct location. Furthermore, the Post and Beam spine of the station (See page **XX**) will not require panel connection hardware. Because of this, the description of each post will spell out exactly where the panel connection hardware is located .



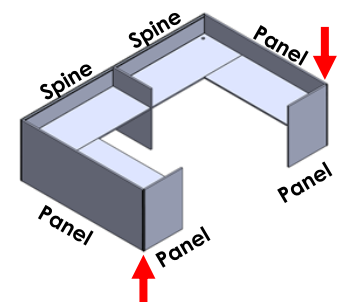
Panel Connection One Side

BPST1A36S1 - Blade, 36"H, 1" Sq Post, Panel Connection One Side
(Three of these posts are used in this station)



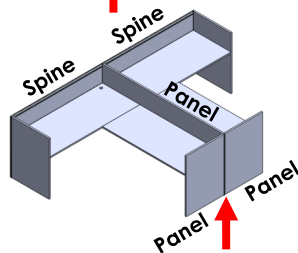
Panel Connection Two Opposite Sides

BPST1A36S2 - Blade, 36"H, 1" Sq Post, Panel Connection Two Opposite Sides
(Two of these posts are used in this station)



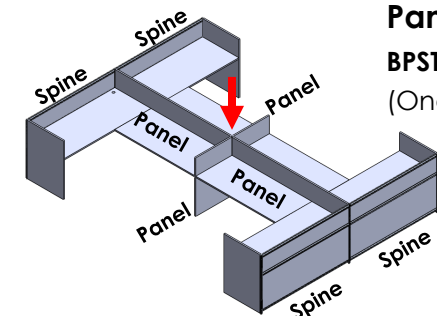
Panel Connection Two Sides - 90 Degrees

BPST1A36S290-Blade, 36"H, 1" Sq Post, Panel Connection Two Sides 90 Degrees
(Two of these posts are used in this station)



Panel Connection Three Sides

BPST1A36S3 - Blade, 36"H, 1" Sq Post, Panel Connection Three Sides
(One of these posts is used in this station)

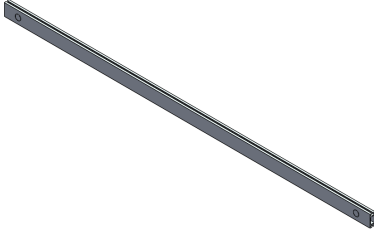


Panel Connection Four Sides

BPST1A36S4 - Blade, 36"H, 1" Sq Post, Panel Connection Four Sides
(One of these posts is used in this station)

Blade

XBSTR Standard Beam



What's Included:
Standard beam. All necessary hardware.

Finish Options:
Please see www.fluidgroup.com/finishes for finish details.

Information Required to Order:
Standard beam code / structures finish.

Example Spec:
XBSTR1A60/ANO (Anodized)

Product Code	Product Description
XBSTR1A24	24 Standard Beam - Style 1A
XBSTR1A30	30 Standard Beam - Style 1A
XBSTR1A36	36 Standard Beam - Style 1A
XBSTR1A42	42 Standard Beam - Style 1A
XBSTR1A48	48 Standard Beam - Style 1A
XBSTR1A54	54 Standard Beam - Style 1A
XBSTR1A60	60 Standard Beam - Style 1A
XBSTR1A66	66 Standard Beam - Style 1A
XBSTR1A72	72 Standard Beam - Style 1A
XBSTR1A78	78 Standard Beam - Style 1A
XBSTR1A84	84 Standard Beam - Style 1A
XBSTR1A90	90 Standard Beam - Style 1A
XBSTR1A96	96 Standard Beam - Style 1A

XBSTW
Channel Beam



What's Included:
Channel beam. All necessary hardware.

Finish Options:
Please see www.fluidgroup.com/finishes for finish details.

Information Required to Order:
Channel beam code / structures finish.

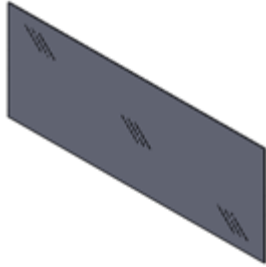
Example Spec:
XBSTW1A60/ANO (Anodized)

Product Code	Product Description
XBSTW1A24	24 Channel Beam - Style 1A
XBSTW1A30	30 Channel Beam - Style 1A
XBSTW1A36	36 Channel Beam - Style 1A
XBSTW1A42	42 Channel Beam - Style 1A
XBSTW1A48	48 Channel Beam - Style 1A
XBSTW1A54	54 Channel Beam - Style 1A
XBSTW1A60	60 Channel Beam - Style 1A
XBSTW1A66	66 Channel Beam - Style 1A
XBSTW1A72	72 Channel Beam - Style 1A
XBSTW1A78	78 Channel Beam - Style 1A
XBSTW1A84	84 Channel Beam - Style 1A
XBSTW1A90	90 Channel Beam - Style 1A
XBSTW1A96	96 Channel Beam - Style 1A

Blade

BPFA

Frosted Acrylic Divider



What's Included:

Frosted acrylic divider. All necessary hardware.

Finish Options:

Frosted acrylic only.

Information Required to Order:

Frosted divider code.

Example Spec:

BPFA1A1360

Product Code	Product Description
BPFA1A0724	Blade, 07x24 Frosted Acrylic Divider - Style 1A
BPFA1A0730	Blade, 07x30 Frosted Acrylic Divider - Style 1A
BPFA1A0736	Blade, 07x36 Frosted Acrylic Divider - Style 1A
BPFA1A0742	Blade, 07x42 Frosted Acrylic Divider - Style 1A
BPFA1A0748	Blade, 07x48 Frosted Acrylic Divider - Style 1A
BPFA1A0754	Blade, 07x54 Frosted Acrylic Divider - Style 1A
BPFA1A0760	Blade, 07x60 Frosted Acrylic Divider - Style 1A
BPFA1A0766	Blade, 07x66 Frosted Acrylic Divider - Style 1A
BPFA1A0772	Blade, 07x72 Frosted Acrylic Divider - Style 1A
BPFA1A0778	Blade, 07x78 Frosted Acrylic Divider - Style 1A
BPFA1A0784	Blade, 07x84 Frosted Acrylic Divider - Style 1A
BPFA1A0790	Blade, 07x90 Frosted Acrylic Divider - Style 1A
BPFA1A0796	Blade, 07x96 Frosted Acrylic Divider - Style 1A
BPFA1A1324	Blade, 13x24 Frosted Acrylic Divider - Style 1A
BPFA1A1330	Blade, 13x30 Frosted Acrylic Divider - Style 1A
BPFA1A1336	Blade, 13x36 Frosted Acrylic Divider - Style 1A
BPFA1A1342	Blade, 13x42 Frosted Acrylic Divider - Style 1A
BPFA1A1348	Blade, 13x48 Frosted Acrylic Divider - Style 1A
BPFA1A1354	Blade, 13x54 Frosted Acrylic Divider - Style 1A
BPFA1A1360	Blade, 13x60 Frosted Acrylic Divider - Style 1A
BPFA1A1366	Blade, 13x66 Frosted Acrylic Divider - Style 1A
BPFA1A1372	Blade, 13x72 Frosted Acrylic Divider - Style 1A
BPFA1A1378	Blade, 13x78 Frosted Acrylic Divider - Style 1A
BPFA1A1384	Blade, 13x84 Frosted Acrylic Divider - Style 1A
BPFA1A1390	Blade, 13x90 Frosted Acrylic Divider - Style 1A
BPFA1A1396	Blade, 13x96 Frosted Acrylic Divider - Style 1A

Continued on Next Page

BPFA

Frosted Acrylic Divider, Continued

Product Code	Product Description
BPFA1A2024	Blade, 20x24 Frosted Acrylic Divider - Style 1A
BPFA1A2030	Blade, 20x30 Frosted Acrylic Divider - Style 1A
BPFA1A2036	Blade, 20x36 Frosted Acrylic Divider - Style 1A
BPFA1A2042	Blade, 20x42 Frosted Acrylic Divider - Style 1A
BPFA1A2048	Blade, 20x48 Frosted Acrylic Divider - Style 1A
BPFA1A2054	Blade, 20x54 Frosted Acrylic Divider - Style 1A
BPFA1A2060	Blade, 20x60 Frosted Acrylic Divider - Style 1A
BPFA1A2066	Blade, 20x66 Frosted Acrylic Divider - Style 1A
BPFA1A2072	Blade, 20x72 Frosted Acrylic Divider - Style 1A
BPFA1A2078	Blade, 20x78 Frosted Acrylic Divider - Style 8A
BPFA1A2084	Blade, 20x84 Frosted Acrylic Divider - Style 8A
BPFA1A2090	Blade, 20x90 Frosted Acrylic Divider - Style 8A
BPFA1A2096	Blade, 20x96 Frosted Acrylic Divider - Style 8A

**Post
Height**

Upper Divider Height

29" Post

No Upper Dividers

36" Post

07" High Upper Dividers

42" Post

13" High Upper Dividers

49" Post

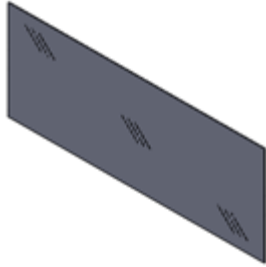
20" High Upper Dividers

Continued on Next Page

Blade

BPCL

Clear Acrylic Divider



What's Included:

Clear acrylic divider. All necessary hardware.

Finish Options:

Clear acrylic only.

Information Required to Order:

Clear divider code.

Example Spec:

BPCL1A1360

Product Code	Product Description
BPCL1A0724	Blade, 07x24 Clear Acrylic Divider - Style 1A
BPCL1A0730	Blade, 07x30 Clear Acrylic Divider - Style 1A
BPCL1A0736	Blade, 07x36 Clear Acrylic Divider - Style 1A
BPCL1A0742	Blade, 07x42 Clear Acrylic Divider - Style 1A
BPCL1A0748	Blade, 07x48 Clear Acrylic Divider - Style 1A
BPCL1A0754	Blade, 07x54 Clear Acrylic Divider - Style 1A
BPCL1A0760	Blade, 07x60 Clear Acrylic Divider - Style 1A
BPCL1A0766	Blade, 07x66 Clear Acrylic Divider - Style 1A
BPCL1A0772	Blade, 07x72 Clear Acrylic Divider - Style 1A
BPCL1A0778	Blade, 07x78 Clear Acrylic Divider - Style 1A
BPCL1A0784	Blade, 07x84 Clear Acrylic Divider - Style 1A
BPCL1A0790	Blade, 07x90 Clear Acrylic Divider - Style 1A
BPCL1A0796	Blade, 07x96 Clear Acrylic Divider - Style 1A
BPCL1A1324	Blade, 13x24 Clear Acrylic Divider - Style 1A
BPCL1A1330	Blade, 13x30 Clear Acrylic Divider - Style 1A
BPCL1A1336	Blade, 13x36 Clear Acrylic Divider - Style 1A
BPCL1A1342	Blade, 13x42 Clear Acrylic Divider - Style 1A
BPCL1A1348	Blade, 13x48 Clear Acrylic Divider - Style 1A
BPCL1A1354	Blade, 13x54 Clear Acrylic Divider - Style 1A
BPCL1A1360	Blade, 13x60 Clear Acrylic Divider - Style 1A
BPCL1A1366	Blade, 13x66 Clear Acrylic Divider - Style 1A
BPCL1A1372	Blade, 13x72 Clear Acrylic Divider - Style 1A
BPCL1A1378	Blade, 13x78 Clear Acrylic Divider - Style 1A
BPCL1A1384	Blade, 13x84 Clear Acrylic Divider - Style 1A
BPCL1A1390	Blade, 13x90 Clear Acrylic Divider - Style 1A
BPCL1A1396	Blade, 13x96 Clear Acrylic Divider - Style 1A

Continued on Next Page

BPCL

Clear Acrylic Divider, Continued

Product Code	Product Description
BPCL1A2024	Blade, 20x24 Clear Acrylic Divider - Style 1A
BPCL1A2030	Blade, 20x30 Clear Acrylic Divider - Style 1A
BPCL1A2036	Blade, 20x36 Clear Acrylic Divider - Style 1A
BPCL1A2042	Blade, 20x42 Clear Acrylic Divider - Style 1A
BPCL1A2048	Blade, 20x48 Clear Acrylic Divider - Style 1A
BPCL1A2054	Blade, 20x54 Clear Acrylic Divider - Style 1A
BPCL1A2060	Blade, 20x60 Clear Acrylic Divider - Style 1A
BPCL1A2066	Blade, 20x66 Clear Acrylic Divider - Style 1A
BPCL1A2072	Blade, 20x72 Clear Acrylic Divider - Style 1A
BPCL1A2078	Blade, 20x78 Clear Acrylic Divider - Style 1A
BPCL1A2084	Blade, 20x84 Clear Acrylic Divider - Style 1A
BPCL1A2090	Blade, 20x90 Clear Acrylic Divider - Style 1A
BPCL1A2096	Blade, 20x96 Clear Acrylic Divider - Style 1A

**Post
Height**

Upper Divider Height

29" Post

No Upper Dividers

36" Post

07" High Upper Dividers

42" Post

13" High Upper Dividers

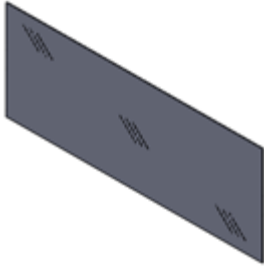
49" Post

20" High Upper Dividers

Blade

BPMB

Whiteboard Acrylic Divider (Marker Board)



What's Included:

Whiteboard acrylic divider. All necessary hardware.

Finish Options:

Whiteboard acrylic only.

Information Required to Order:

Whiteboard divider code.

Example Spec:

BPMB1A1360

Product Code	Product Description
BPMB1A0724	Blade, 07x24 Whiteboard Acrylic Divider - Style 1A
BPMB1A0730	Blade, 07x30 Whiteboard Acrylic Divider - Style 1A
BPMB1A0736	Blade, 07x36 Whiteboard Acrylic Divider - Style 1A
BPMB1A0742	Blade, 07x42 Whiteboard Acrylic Divider - Style 1A
BPMB1A0748	Blade, 07x48 Whiteboard Acrylic Divider - Style 1A
BPMB1A0754	Blade, 07x54 Whiteboard Acrylic Divider - Style 1A
BPMB1A0760	Blade, 07x60 Whiteboard Acrylic Divider - Style 1A
BPMB1A0766	Blade, 07x66 Whiteboard Acrylic Divider - Style 1A
BPMB1A0772	Blade, 07x72 Whiteboard Acrylic Divider - Style 1A
BPMB1A0778	Blade, 07x78 Whiteboard Acrylic Divider - Style 1A
BPMB1A0784	Blade, 07x84 Whiteboard Acrylic Divider - Style 1A
BPMB1A0790	Blade, 07x90 Whiteboard Acrylic Divider - Style 1A
BPMB1A0796	Blade, 07x96 Whiteboard Acrylic Divider - Style 1A
BPMB1A1324	Blade, 13x24 Whiteboard Acrylic Divider - Style 1A
BPMB1A1330	Blade, 13x30 Whiteboard Acrylic Divider - Style 1A
BPMB1A1336	Blade, 13x36 Whiteboard Acrylic Divider - Style 1A
BPMB1A1342	Blade, 13x42 Whiteboard Acrylic Divider - Style 1A
BPMB1A1348	Blade, 13x48 Whiteboard Acrylic Divider - Style 1A
BPMB1A1354	Blade, 13x54 Whiteboard Acrylic Divider - Style 1A
BPMB1A1360	Blade, 13x60 Whiteboard Acrylic Divider - Style 1A
BPMB1A1366	Blade, 13x66 Whiteboard Acrylic Divider - Style 1A
BPMB1A1372	Blade, 13x72 Whiteboard Acrylic Divider - Style 1A
BPMB1A1378	Blade, 13x78 Whiteboard Acrylic Divider - Style 1A
BPMB1A1384	Blade, 13x84 Whiteboard Acrylic Divider - Style 1A
BPMB1A1390	Blade, 13x90 Whiteboard Acrylic Divider - Style 1A
BPMB1A1396	Blade, 13x96 Whiteboard Acrylic Divider - Style 1A

Continued on Next Page

BPMB

Whiteboard Acrylic Divider, Continued

Product Code	Product Description
BPMB1A2024	Blade, 20x24 Whiteboard Acrylic Divider - Style 1A
BPMB1A2030	Blade, 20x30 Whiteboard Acrylic Divider - Style 1A
BPMB1A2036	Blade, 20x36 Whiteboard Acrylic Divider - Style 1A
BPMB1A2042	Blade, 20x42 Whiteboard Acrylic Divider - Style 1A
BPMB1A2048	Blade, 20x48 Whiteboard Acrylic Divider - Style 1A
BPMB1A2054	Blade, 20x54 Whiteboard Acrylic Divider - Style 1A
BPMB1A2060	Blade, 20x60 Whiteboard Acrylic Divider - Style 1A
BPMB1A2066	Blade, 20x66 Whiteboard Acrylic Divider - Style 1A
BPMB1A2072	Blade, 20x72 Whiteboard Acrylic Divider - Style 1A
BPMB1A2078	Blade, 20x78 Whiteboard Acrylic Divider - Style 1A
BPMB1A2084	Blade, 20x84 Whiteboard Acrylic Divider - Style 1A
BPMB1A2090	Blade, 20x90 Whiteboard Acrylic Divider - Style 1A
BPMB1A2096	Blade, 20x96 Whiteboard Acrylic Divider - Style 1A

**Post
Height**

Upper Divider Height

29" Post

No Upper Dividers

36" Post

07" High Upper Dividers

42" Post

13" High Upper Dividers

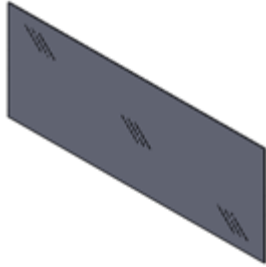
49" Post

20" High Upper Dividers

Blade

BPCO

Color Acrylic Divider



What's Included:

Color acrylic divider. All necessary hardware.

Finish Options:

Please see www.fluidgroup.com/finishes for finish details.

Information Required to Order:

Whiteboard divider code.

Example Spec:

BPCO1A1360

Product Code	Product Description
BPCO1A0724	Blade, 07x24 Color Acrylic Divider - Style 1A
BPCO1A0730	Blade, 07x30 Color Acrylic Divider - Style 1A
BPCO1A0736	Blade, 07x36 Color Acrylic Divider - Style 1A
BPCO1A0742	Blade, 07x42 Color Acrylic Divider - Style 1A
BPCO1A0748	Blade, 07x48 Color Acrylic Divider - Style 1A
BPCO1A0754	Blade, 07x54 Color Acrylic Divider - Style 1A
BPCO1A0760	Blade, 07x60 Color Acrylic Divider - Style 1A
BPCO1A0766	Blade, 07x66 Color Acrylic Divider - Style 1A
BPCO1A0772	Blade, 07x72 Color Acrylic Divider - Style 1A
BPCO1A0778	Blade, 07x78 Color Acrylic Divider - Style 1A
BPCO1A0784	Blade, 07x84 Color Acrylic Divider - Style 1A
BPCO1A0790	Blade, 07x90 Color Acrylic Divider - Style 1A
BPCO1A0796	Blade, 07x96 Color Acrylic Divider - Style 1A
BPCO1A1324	Blade, 13x24 Color Acrylic Divider - Style 1A
BPCO1A1330	Blade, 13x30 Color Acrylic Divider - Style 1A
BPCO1A1336	Blade, 13x36 Color Acrylic Divider - Style 1A
BPCO1A1342	Blade, 13x42 Color Acrylic Divider - Style 1A
BPCO1A1348	Blade, 13x48 Color Acrylic Divider - Style 1A
BPCO1A1354	Blade, 13x54 Color Acrylic Divider - Style 1A
BPCO1A1360	Blade, 13x60 Color Acrylic Divider - Style 1A
BPCO1A1366	Blade, 13x66 Color Acrylic Divider - Style 1A
BPCO1A1372	Blade, 13x72 Color Acrylic Divider - Style 1A
BPCO1A1378	Blade, 13x78 Color Acrylic Divider - Style 1A
BPCO1A1384	Blade, 13x84 Color Acrylic Divider - Style 1A
BPCO1A1390	Blade, 13x90 Color Acrylic Divider - Style 1A
BPCO1A1396	Blade, 13x96 Color Acrylic Divider - Style 1A

Continued on Next Page

BPCO

Color Acrylic Divider, Continued

Product Code	Product Description
BPCO1A2024	Blade, 20x24 Color Acrylic Divider - Style 1A
BPCO1A2030	Blade, 20x30 Color Acrylic Divider - Style 1A
BPCO1A2036	Blade, 20x36 Color Acrylic Divider - Style 1A
BPCO1A2042	Blade, 20x42 Color Acrylic Divider - Style 1A
BPCO1A2048	Blade, 20x48 Color Acrylic Divider - Style 1A
BPCO1A2054	Blade, 20x54 Color Acrylic Divider - Style 1A
BPCO1A2060	Blade, 20x60 Color Acrylic Divider - Style 1A
BPCO1A2066	Blade, 20x66 Color Acrylic Divider - Style 1A
BPCO1A2072	Blade, 20x72 Color Acrylic Divider - Style 1A
BPCO1A2078	Blade, 20x78 Color Acrylic Divider - Style 1A
BPCO1A2084	Blade, 20x84 Color Acrylic Divider - Style 1A
BPCO1A2090	Blade, 20x90 Color Acrylic Divider - Style 1A
BPCO1A2096	Blade, 20x96 Color Acrylic Divider - Style 1A

Post Height

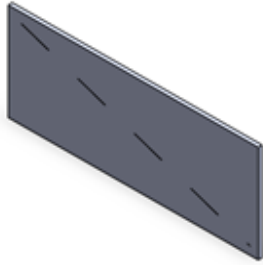
Upper Divider Height

29" Post**No Upper Dividers****36" Post****07" High Upper Dividers****42" Post****13" High Upper Dividers****49" Post****20" High Upper Dividers**

Blade

BPSS

Softscape Divider



What's Included:

Softscape divider. All necessary hardware.

Finish Options:

Please see www.fluidgroup.com/finishes for finish details.

Information Required to Order:

Whiteboard divider code.

Example Spec:

BPSS1A1360/SS04 (Charcoal)

Notes:

05" high divider to be used as modesty below Channel beam and above Serviceway, to add privacy for height adjustable table. (See Page 15)

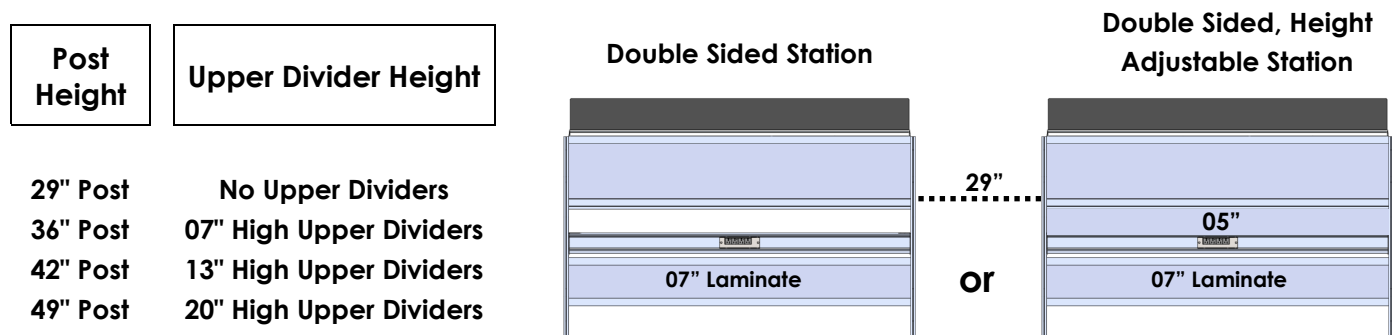
Product Code	Product Description
BPSS1A0524	Blade, 05x24 Softscape Divider - Style 1A
BPSS1A0530	Blade, 05x30 Softscape Divider - Style 1A
BPSS1A0536	Blade, 05x36 Softscape Divider - Style 1A
BPSS1A0542	Blade, 05x42 Softscape Divider - Style 1A
BPSS1A0548	Blade, 05x48 Softscape Divider - Style 1A
BPSS1A0554	Blade, 05x54 Softscape Divider - Style 1A
BPSS1A0560	Blade, 05x60 Softscape Divider - Style 1A
BPSS1A0566	Blade, 05x66 Softscape Divider - Style 1A
BPSS1A0572	Blade, 05x72 Softscape Divider - Style 1A
BPSS1A0578	Blade, 05x78 Softscape Divider - Style 1A
BPSS1A0584	Blade, 05x84 Softscape Divider - Style 1A
BPSS1A0590	Blade, 05x90 Softscape Divider - Style 1A
BPSS1A0596	Blade, 05x96 Softscape Divider - Style 1A
BPSS1A0724	Blade, 07x24 Softscape Divider - Style 1A
BPSS1A0730	Blade, 07x30 Softscape Divider - Style 1A
BPSS1A0736	Blade, 07x36 Softscape Divider - Style 1A
BPSS1A0742	Blade, 07x42 Softscape Divider - Style 1A
BPSS1A0748	Blade, 07x48 Softscape Divider - Style 1A
BPSS1A0754	Blade, 07x54 Softscape Divider - Style 1A
BPSS1A0760	Blade, 07x60 Softscape Divider - Style 1A
BPSS1A0766	Blade, 07x66 Softscape Divider - Style 1A
BPSS1A0772	Blade, 07x72 Softscape Divider - Style 1A
BPSS1A0778	Blade, 07x78 Softscape Divider - Style 1A
BPSS1A0784	Blade, 07x84 Softscape Divider - Style 1A
BPSS1A0790	Blade, 07x90 Softscape Divider - Style 1A
BPSS1A0796	Blade, 07x96 Softscape Divider - Style 1A

Continued on Next Page

BPSS

Softscape Divider, Continued

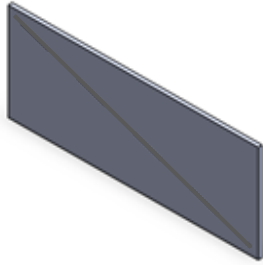
Product Code	Product Description
BPSS1A1324	Blade, 13x24 Softscape Divider - Style 1A
BPSS1A1330	Blade, 13x30 Softscape Divider - Style 1A
BPSS1A1336	Blade, 13x36 Softscape Divider - Style 1A
BPSS1A1342	Blade, 13x42 Softscape Divider - Style 1A
BPSS1A1348	Blade, 13x48 Softscape Divider - Style 1A
BPSS1A1354	Blade, 13x54 Softscape Divider - Style 1A
BPSS1A1360	Blade, 13x60 Softscape Divider - Style 1A
BPSS1A1366	Blade, 13x66 Softscape Divider - Style 1A
BPSS1A1372	Blade, 13x72 Softscape Divider - Style 1A
BPSS1A1378	Blade, 13x78 Softscape Divider - Style 1A
BPSS1A1384	Blade, 13x84 Softscape Divider - Style 1A
BPSS1A1390	Blade, 13x90 Softscape Divider - Style 1A
BPSS1A1396	Blade, 13x96 Softscape Divider - Style 1A
BPSS1A2024	Blade, 20x24 Softscape Divider - Style 1A
BPSS1A2030	Blade, 20x30 Softscape Divider - Style 1A
BPSS1A2036	Blade, 20x36 Softscape Divider - Style 1A
BPSS1A2042	Blade, 20x42 Softscape Divider - Style 1A
BPSS1A2048	Blade, 20x48 Softscape Divider - Style 1A
BPSS1A2054	Blade, 20x54 Softscape Divider - Style 1A
BPSS1A2060	Blade, 20x60 Softscape Divider - Style 1A
BPSS1A2066	Blade, 20x66 Softscape Divider - Style 1A
BPSS1A2072	Blade, 20x72 Softscape Divider - Style 1A
BPSS1A2078	Blade, 20x78 Softscape Divider - Style 1A
BPSS1A2084	Blade, 20x84 Softscape Divider - Style 1A
BPSS1A2090	Blade, 20x90 Softscape Divider - Style 1A
BPSS1A2096	Blade, 20x96 Softscape Divider - Style 1A



Blade

BPTF

Tackable Fabric Divider



What's Included:

Tackable fabric divider. All necessary hardware.

Finish Options:

Please see www.fluidgroup.com/finishes for finish details.

Information Required to Order:

Tackable fabric divider code / fabric finish.

Example Spec:

BPTF1A1360G1/FAB-EP-1 (Epic Azure)

Notes:

05" high divider to be used as modesty below Channel beam and above Serviceway, to add privacy for height adjustable table. (See Page 15)

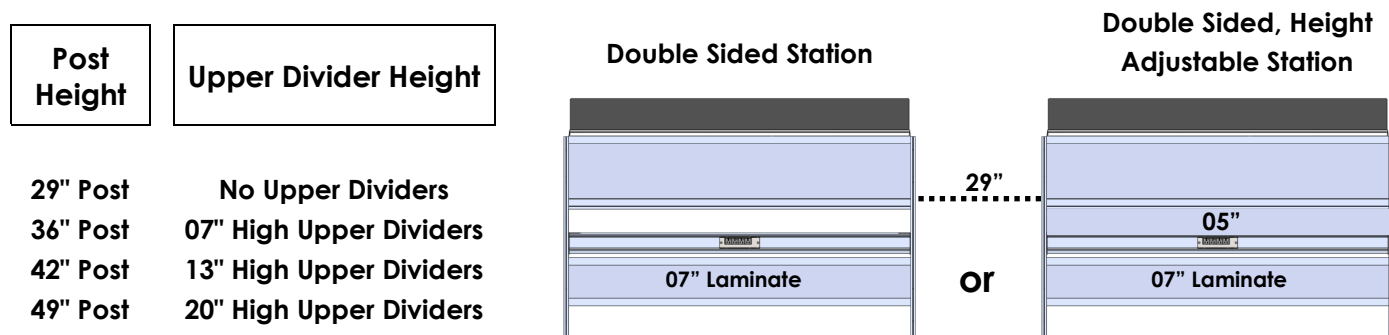
Product Code	Product Description
BPTF1A0524	Blade, 05x24 Tackable Fabric Divider, Gr. 1 - Style 1A
BPTF1A0530	Blade, 05x30 Tackable Fabric Divider, Gr. 1 - Style 1A
BPTF1A0536	Blade, 05x36 Tackable Fabric Divider, Gr. 1 - Style 1A
BPTF1A0542	Blade, 05x42 Tackable Fabric Divider, Gr. 1 - Style 1A
BPTF1A0548	Blade, 05x48 Tackable Fabric Divider, Gr. 1 - Style 1A
BPTF1A0554	Blade, 05x54 Tackable Fabric Divider, Gr. 1 - Style 1A
BPTF1A0560	Blade, 05x60 Tackable Fabric Divider, Gr. 1 - Style 1A
BPTF1A0566	Blade, 05x66 Tackable Fabric Divider, Gr. 1 - Style 1A
BPTF1A0572	Blade, 05x72 Tackable Fabric Divider, Gr. 1 - Style 1A
BPTF1A0578	Blade, 05x78 Tackable Fabric Divider, Gr. 1 - Style 1A
BPTF1A0584	Blade, 05x84 Tackable Fabric Divider, Gr. 1 - Style 1A
BPTF1A0590	Blade, 05x90 Tackable Fabric Divider, Gr. 1 - Style 1A
BPTF1A0596	Blade, 05x96 Tackable Fabric Divider, Gr. 1 - Style 1A
BPTF1A0724	Blade, 07x24 Tackable Fabric Divider, Gr. 1 - Style 1A
BPTF1A0730	Blade, 07x30 Tackable Fabric Divider, Gr. 1 - Style 1A
BPTF1A0736	Blade, 07x36 Tackable Fabric Divider, Gr. 1 - Style 1A
BPTF1A0742	Blade, 07x42 Tackable Fabric Divider, Gr. 1 - Style 1A
BPTF1A0748	Blade, 07x48 Tackable Fabric Divider, Gr. 1 - Style 1A
BPTF1A0754	Blade, 07x54 Tackable Fabric Divider, Gr. 1 - Style 1A
BPTF1A0760	Blade, 07x60 Tackable Fabric Divider, Gr. 1 - Style 1A
BPTF1A0766	Blade, 07x66 Tackable Fabric Divider, Gr. 1 - Style 1A
BPTF1A0772	Blade, 07x72 Tackable Fabric Divider, Gr. 1 - Style 1A
BPTF1A0778	Blade, 07x78 Tackable Fabric Divider, Gr. 1 - Style 1A
BPTF1A0784	Blade, 07x84 Tackable Fabric Divider, Gr. 1 - Style 1A
BPTF1A0790	Blade, 07x90 Tackable Fabric Divider, Gr. 1 - Style 1A
BPTF1A0796	Blade, 07x96 Tackable Fabric Divider, Gr. 1 - Style 1A

Continued on Next Page

BPTF

Tackable Fabric Divider, Continued

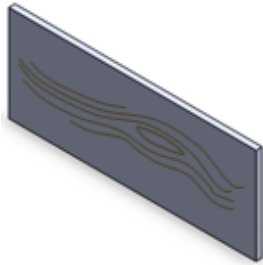
Product Code	Product Description
BPTF1A1324	Blade, 13x24 Tackable Fabric Divider, Gr. 1 - Style 1A
BPTF1A1330	Blade, 13x30 Tackable Fabric Divider, Gr. 1 - Style 1A
BPTF1A1336	Blade, 13x36 Tackable Fabric Divider, Gr. 1 - Style 1A
BPTF1A1342	Blade, 13x42 Tackable Fabric Divider, Gr. 1 - Style 1A
BPTF1A1348	Blade, 13x48 Tackable Fabric Divider, Gr. 1 - Style 1A
BPTF1A1354	Blade, 13x54 Tackable Fabric Divider, Gr. 1 - Style 1A
BPTF1A1360	Blade, 13x60 Tackable Fabric Divider, Gr. 1 - Style 1A
BPTF1A1366	Blade, 13x66 Tackable Fabric Divider, Gr. 1 - Style 1A
BPTF1A1372	Blade, 13x72 Tackable Fabric Divider, Gr. 1 - Style 1A
BPTF1A1378	Blade, 13x78 Tackable Fabric Divider, Gr. 1 - Style 1A
BPTF1A1384	Blade, 13x84 Tackable Fabric Divider, Gr. 1 - Style 1A
BPTF1A1390	Blade, 13x90 Tackable Fabric Divider, Gr. 1 - Style 1A
BPTF1A1396	Blade, 13x96 Tackable Fabric Divider, Gr. 1 - Style 1A
BPTF1A2024	Blade, 20x24 Tackable Fabric Divider, Gr. 1 - Style 1A
BPTF1A2030	Blade, 20x30 Tackable Fabric Divider, Gr. 1 - Style 1A
BPTF1A2036	Blade, 20x36 Tackable Fabric Divider, Gr. 1 - Style 1A
BPTF1A2042	Blade, 20x42 Tackable Fabric Divider, Gr. 1 - Style 1A
BPTF1A2048	Blade, 20x48 Tackable Fabric Divider, Gr. 1 - Style 1A
BPTF1A2054	Blade, 20x54 Tackable Fabric Divider, Gr. 1 - Style 1A
BPTF1A2060	Blade, 20x60 Tackable Fabric Divider, Gr. 1 - Style 1A
BPTF1A2066	Blade, 20x66 Tackable Fabric Divider, Gr. 1 - Style 1A
BPTF1A2072	Blade, 20x72 Tackable Fabric Divider, Gr. 1 - Style 1A
BPTF1A2078	Blade, 20x78 Tackable Fabric Divider, Gr. 1 - Style 1A
BPTF1A2084	Blade, 20x84 Tackable Fabric Divider, Gr. 1 - Style 1A
BPTF1A2090	Blade, 20x90 Tackable Fabric Divider, Gr. 1 - Style 1A
BPTF1A2096	Blade, 20x96 Tackable Fabric Divider, Gr. 1 - Style 1A



Blade

BPLM

TFL Laminate Divider



What's Included:

TFL laminate divider. All necessary hardware

Finish Options:

Please see www.fluidgroup.com/finishes for finish details.

Information Required to Order:

Laminate divider code / TFL laminate finish

Example Spec:

BPLM1A1360/SW (Silverwood)

Notes:

07" high divider to be used as modesty below Serviceway between double sided stations (See page 15), as well as above the surface in conjunction with a 36" post.
28" high divider to be used as modesty (lower divider) on single sided stations. See Page 15)

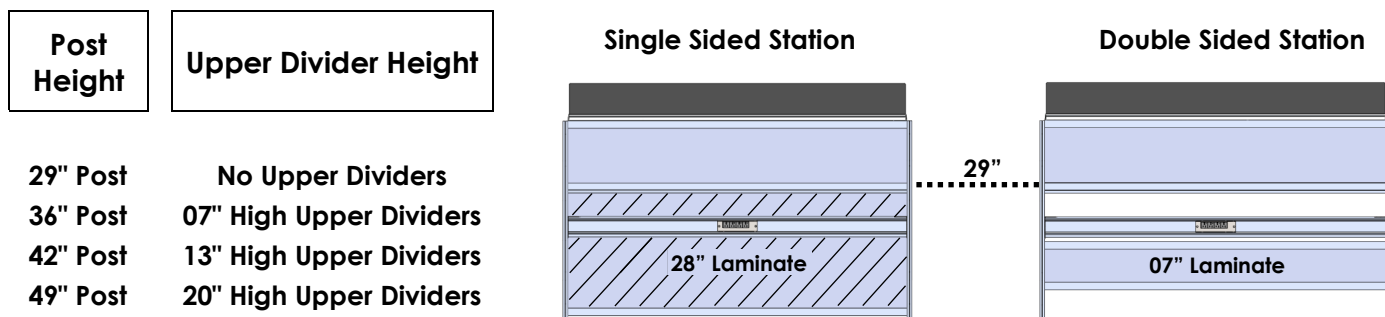
Product Code	Product Description
BPLM1A0724	Blade, 07x24 TFL Laminate Divider - Style 1A
BPLM1A0730	Blade, 07x30 TFL Laminate Divider - Style 1A
BPLM1A0736	Blade, 07x36 TFL Laminate Divider - Style 1A
BPLM1A0742	Blade, 07x42 TFL Laminate Divider - Style 1A
BPLM1A0748	Blade, 07x48 TFL Laminate Divider - Style 1A
BPLM1A0754	Blade, 07x54 TFL Laminate Divider - Style 1A
BPLM1A0760	Blade, 07x60 TFL Laminate Divider - Style 1A
BPLM1A0766	Blade, 07x66 TFL Laminate Divider - Style 1A
BPLM1A0772	Blade, 07x72 TFL Laminate Divider - Style 1A
BPLM1A0778	Blade, 07x78 TFL Laminate Divider - Style 1A
BPLM1A0784	Blade, 07x84 TFL Laminate Divider - Style 1A
BPLM1A0790	Blade, 07x90 TFL Laminate Divider - Style 1A
BPLM1A0796	Blade, 07x96 TFL Laminate Divider - Style 1A
BPLM1A1324	Blade, 13x24 TFL Laminate Divider - Style 1A
BPLM1A1330	Blade, 13x30 TFL Laminate Divider - Style 1A
BPLM1A1336	Blade, 13x36 TFL Laminate Divider - Style 1A
BPLM1A1342	Blade, 13x42 TFL Laminate Divider - Style 1A
BPLM1A1348	Blade, 13x48 TFL Laminate Divider - Style 1A
BPLM1A1354	Blade, 13x54 TFL Laminate Divider - Style 1A
BPLM1A1360	Blade, 13x60 TFL Laminate Divider - Style 1A
BPLM1A1366	Blade, 13x66 TFL Laminate Divider - Style 1A
BPLM1A1372	Blade, 13x72 TFL Laminate Divider - Style 1A
BPLM1A1378	Blade, 13x78 TFL Laminate Divider - Style 1A
BPLM1A1384	Blade, 13x84 TFL Laminate Divider - Style 1A
BPLM1A1390	Blade, 13x90 TFL Laminate Divider - Style 1A
BPLM1A1396	Blade, 13x96 TFL Laminate Divider - Style 1A

Continued on Next Page

BPLM

Laminate Divider, Continued

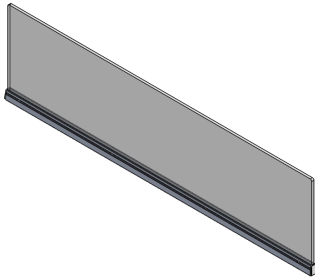
Product Code	Product Description
BPLM1A2024	Blade, 20x24 TFL Laminate Divider - Style 1 A
BPLM1A2030	Blade, 20x30 TFL Laminate Divider - Style 1 A
BPLM1A2036	Blade, 20x36 TFL Laminate Divider - Style 1 A
BPLM1A2042	Blade, 20x42 TFL Laminate Divider - Style 1 A
BPLM1A2048	Blade, 20x48 TFL Laminate Divider - Style 1 A
BPLM1A2054	Blade, 20x54 TFL Laminate Divider - Style 1 A
BPLM1A2060	Blade, 20x60 TFL Laminate Divider - Style 1 A
BPLM1A2066	Blade, 20x66 TFL Laminate Divider - Style 1 A
BPLM1A2072	Blade, 20x72 TFL Laminate Divider - Style 1 A
BPLM1A2078	Blade, 20x78 TFL Laminate Divider - Style 1 A
BPLM1A2084	Blade, 20x84 TFL Laminate Divider - Style 1 A
BPLM1A2090	Blade, 20x90 TFL Laminate Divider - Style 1 A
BPLM1A2096	Blade, 20x96 TFL Laminate Divider - Style 1 A
BPLM1A2824	Blade, 28x24 TFL Laminate Divider - Style 1 A
BPLM1A2830	Blade, 28x30 TFL Laminate Divider - Style 1 A
BPLM1A2836	Blade, 28x36 TFL Laminate Divider - Style 1 A
BPLM1A2842	Blade, 28x42 TFL Laminate Divider - Style 1 A
BPLM1A2848	Blade, 28x48 TFL Laminate Divider - Style 1 A
BPLM1A2854	Blade, 28x54 TFL Laminate Divider - Style 1 A
BPLM1A2860	Blade, 28x60 TFL Laminate Divider - Style 1 A
BPLM1A2866	Blade, 28x66 TFL Laminate Divider - Style 1 A
BPLM1A2872	Blade, 28x72 TFL Laminate Divider - Style 1 A
BPLM1A2878	Blade, 28x78 TFL Laminate Divider - Style 1 A
BPLM1A2884	Blade, 28x84 TFL Laminate Divider - Style 1 A
BPLM1A2890	Blade, 28x90 TFL Laminate Divider - Style 1 A
BPLM1A2896	Blade, 28x96 TFL Laminate Divider - Style 1 A



Blade

UAB

Upmount, Acrylic, Beam Mount



What's Included:

Upmount extrusion and divider. All necessary hardware

Finish Options:

Please see www.fluidgroup.com/finishes for finish details.

Grade 1 refers to an anodized extrusion and a Grade 1 acrylic divider.

Grade 2 refers to an anodized extrusion and a Grade 2 acrylic divider.

For a painted extrusion, please add \$25.00 list.

Information Required to Order:

Upmount code / divider finish.

Example Spec:

UAB1A1360/AF1 (Frosted divider, anodized extrusion)

UAB1A1360/AF1/PCH (Frosted divider, painted charcoal extrusion)

Product Code	Product Description
UAB1A0724	07x24 Up Mount Extrusion, 1/4" Acrylic, Beam Mount - Style 1A
UAB1A0730	07x30 Up Mount Extrusion, 1/4" Acrylic, Beam Mount - Style 1A
UAB1A0736	07x36 Up Mount Extrusion, 1/4" Acrylic, Beam Mount - Style 1A
UAB1A0742	07x42 Up Mount Extrusion, 1/4" Acrylic, Beam Mount - Style 1A
UAB1A0748	07x48 Up Mount Extrusion, 1/4" Acrylic, Beam Mount - Style 1A
UAB1A0754	07x54 Up Mount Extrusion, 1/4" Acrylic, Beam Mount - Style 1A
UAB1A0760	07x60 Up Mount Extrusion, 1/4" Acrylic, Beam Mount - Style 1A
UAB1A0766	07x66 Up Mount Extrusion, 1/4" Acrylic, Beam Mount - Style 1A
UAB1A0772	07x72 Up Mount Extrusion, 1/4" Acrylic, Beam Mount - Style 1A
UAB1A0778	07x78 Up Mount Extrusion, 1/4" Acrylic, Beam Mount - Style 1A
UAB1A0784	07x84 Up Mount Extrusion, 1/4" Acrylic, Beam Mount - Style 1A
UAB1A0790	07x90 Up Mount Extrusion, 1/4" Acrylic, Beam Mount - Style 1A
UAB1A0796	07x96 Up Mount Extrusion, 1/4" Acrylic, Beam Mount - Style 1A
UAB1A1324	13x24 Up Mount Extrusion, 1/4" Acrylic, Beam Mount - Style 1A
UAB1A1330	13x30 Up Mount Extrusion, 1/4" Acrylic, Beam Mount - Style 1A
UAB1A1336	13x36 Up Mount Extrusion, 1/4" Acrylic, Beam Mount - Style 1A
UAB1A1342	13x42 Up Mount Extrusion, 1/4" Acrylic, Beam Mount - Style 1A
UAB1A1348	13x48 Up Mount Extrusion, 1/4" Acrylic, Beam Mount - Style 1A
UAB1A1354	13x54 Up Mount Extrusion, 1/4" Acrylic, Beam Mount - Style 1A
UAB1A1360	13x60 Up Mount Extrusion, 1/4" Acrylic, Beam Mount - Style 1A
UAB1A1366	13x66 Up Mount Extrusion, 1/4" Acrylic, Beam Mount - Style 1A
UAB1A1372	13x72 Up Mount Extrusion, 1/4" Acrylic, Beam Mount - Style 1A
UAB1A1378	13x78 Up Mount Extrusion, 1/4" Acrylic, Beam Mount - Style 1A
UAB1A1384	13x84 Up Mount Extrusion, 1/4" Acrylic, Beam Mount - Style 1A
UAB1A1390	13x90 Up Mount Extrusion, 1/4" Acrylic, Beam Mount - Style 1A
UAB1A1396	13x96 Up Mount Extrusion, 1/4" Acrylic, Beam Mount - Style 1A

Continued on Next Page

UAB

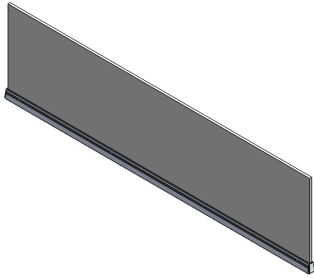
Upmount, Acrylic, Beam Mount, Continued

Product Code	Product Description
UAB1A1824	18x24 Up Mount Extrusion, 1/4" Acrylic, Beam Mount - Style 1A
UAB1A1830	18x30 Up Mount Extrusion, 1/4" Acrylic, Beam Mount - Style 1A
UAB1A1836	18x36 Up Mount Extrusion, 1/4" Acrylic, Beam Mount - Style 1A
UAB1A1842	18x42 Up Mount Extrusion, 1/4" Acrylic, Beam Mount - Style 1A
UAB1A1848	18x48 Up Mount Extrusion, 1/4" Acrylic, Beam Mount - Style 1A
UAB1A1854	18x54 Up Mount Extrusion, 1/4" Acrylic, Beam Mount - Style 1A
UAB1A1860	18x60 Up Mount Extrusion, 1/4" Acrylic, Beam Mount - Style 1A
UAB1A1866	18x66 Up Mount Extrusion, 1/4" Acrylic, Beam Mount - Style 1A
UAB1A1872	18x72 Up Mount Extrusion, 1/4" Acrylic, Beam Mount - Style 1A
UAB1A1878	18x78 Up Mount Extrusion, 1/4" Acrylic, Beam Mount - Style 1A
UAB1A1884	18x84 Up Mount Extrusion, 1/4" Acrylic, Beam Mount - Style 1A
UAB1A1890	18x90 Up Mount Extrusion, 1/4" Acrylic, Beam Mount - Style 1A
UAB1A1896	18x96 Up Mount Extrusion, 1/4" Acrylic, Beam Mount - Style 1A

Blade

USB

Upmount, Softscape, Beam Mount



What's Included:

Upmount extrusion and divider. All necessary hardware

Finish Options:

Please see www.fluidgroup.com/finishes for finish details.

Grade 1 refers to an anodized extrusion and a softscape divider.

For a painted extrusion, please add \$25.00 list.

Information Required to Order:

Upmount code / divider finish.

Example Spec:

USB1A1360/SS25 (Red softscape, anodized extrusion)

USB1A1360/SS25/PCH (Red softscape, painted charcoal extrusion)

Product Code	Product Description
USB1A0724	07x24 Up Mount Extrusion, Softscape, Beam Mount - Style 1A
USB1A0730	07x30 Up Mount Extrusion, Softscape, Beam Mount - Style 1A
USB1A0736	07x36 Up Mount Extrusion, Softscape, Beam Mount - Style 1A
USB1A0742	07x42 Up Mount Extrusion, Softscape, Beam Mount - Style 1A
USB1A0748	07x48 Up Mount Extrusion, Softscape, Beam Mount - Style 1A
USB1A0754	07x54 Up Mount Extrusion, Softscape, Beam Mount - Style 1A
USB1A0760	07x60 Up Mount Extrusion, Softscape, Beam Mount - Style 1A
USB1A0766	07x66 Up Mount Extrusion, Softscape, Beam Mount - Style 1A
USB1A0772	07x72 Up Mount Extrusion, Softscape, Beam Mount - Style 1A
USB1A0778	07x78 Up Mount Extrusion, Softscape, Beam Mount - Style 1A
USB1A0784	07x84 Up Mount Extrusion, Softscape, Beam Mount - Style 1A
USB1A0790	07x90 Up Mount Extrusion, Softscape, Beam Mount - Style 1A
USB1A0796	07x96 Up Mount Extrusion, Softscape, Beam Mount - Style 1A
USB1A1324	13x24 Up Mount Extrusion, Softscape, Beam Mount - Style 1A
USB1A1330	13x30 Up Mount Extrusion, Softscape, Beam Mount - Style 1A
USB1A1336	13x36 Up Mount Extrusion, Softscape, Beam Mount - Style 1A
USB1A1342	13x42 Up Mount Extrusion, Softscape, Beam Mount - Style 1A
USB1A1348	13x48 Up Mount Extrusion, Softscape, Beam Mount - Style 1A
USB1A1354	13x54 Up Mount Extrusion, Softscape, Beam Mount - Style 1A
USB1A1360	13x60 Up Mount Extrusion, Softscape, Beam Mount - Style 1A
USB1A1366	13x66 Up Mount Extrusion, Softscape, Beam Mount - Style 1A
USB1A1372	13x72 Up Mount Extrusion, Softscape, Beam Mount - Style 1A
USB1A1378	13x78 Up Mount Extrusion, Softscape, Beam Mount - Style 1A
USB1A1384	13x84 Up Mount Extrusion, Softscape, Beam Mount - Style 1A
USB1A1390	13x90 Up Mount Extrusion, Softscape, Beam Mount - Style 1A
USB1A1396	13x96 Up Mount Extrusion, Softscape, Beam Mount - Style 1A

Continued on Next Page

USB

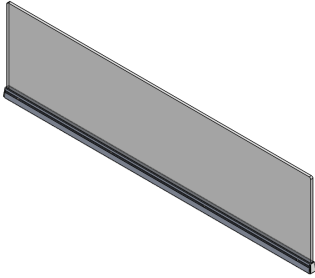
Upmount, Softscape, Beam Mount, Continued

Product Code	Product Description
USB1A1824	18x24 Up Mount Extrusion, Softscape, Beam Mount - Style 1A
USB1A1830	18x30 Up Mount Extrusion, Softscape, Beam Mount - Style 1A
USB1A1836	18x36 Up Mount Extrusion, Softscape, Beam Mount - Style 1A
USB1A1842	18x42 Up Mount Extrusion, Softscape, Beam Mount - Style 1A
USB1A1848	18x48 Up Mount Extrusion, Softscape, Beam Mount - Style 1A
USB1A1854	18x54 Up Mount Extrusion, Softscape, Beam Mount - Style 1A
USB1A1860	18x60 Up Mount Extrusion, Softscape, Beam Mount - Style 1A
USB1A1866	18x66 Up Mount Extrusion, Softscape, Beam Mount - Style 1A
USB1A1872	18x72 Up Mount Extrusion, Softscape, Beam Mount - Style 1A
USB1A1878	18x78 Up Mount Extrusion, Softscape, Beam Mount - Style 1A
USB1A1884	18x84 Up Mount Extrusion, Softscape, Beam Mount - Style 1A
USB1A1890	18x90 Up Mount Extrusion, Softscape, Beam Mount - Style 1A
USB1A1896	18x96 Up Mount Extrusion, Softscape, Beam Mount - Style 1A

Blade

BPUA

Upmount, Acrylic, Blade Panel Mount



What's Included:

Upmount extrusion and divider. All necessary hardware

Finish Options:

Please see www.fluidgroup.com/finishes for finish details.

Grade 1 refers to an anodized extrusion and a Grade 1 acrylic divider.

Grade 2 refers to an anodized extrusion and a Grade 2 acrylic divider.

For a painted extrusion, please add \$25.00 list.

Information Required to Order:

Upmount code / divider finish.

Example Spec:

BPAU1A1360/AF1 (Frosted divider, anodized extrusion)

BPAU1A1360/AF1/PCH (Frosted divider, charcoal extrusion)

24" & 30" WIDE GABLE PANEL UPMOUNTS

Product Code	Product Description
BGUA0724	Blade Gable, 07x24 1/4" Acrylic Up Mount Extrusion
BGUA0730	Blade Gable, 07x30 1/4" Acrylic Up Mount Extrusion
BGUA1324	Blade Gable, 13x24 1/4" Acrylic Up Mount Extrusion
BGUA1330	Blade Gable, 13x30 1/4" Acrylic Up Mount Extrusion
BGUA1824	Blade Gable, 18x24 1/4" Acrylic Up Mount Extrusion
BGUA1830	Blade Gable, 18x30 1/4" Acrylic Up Mount Extrusion

24" & 30" WIDE SIDE PANEL UPMOUNTS

Product Code	Product Description
BSUA0724	Blade Side, 07x24 1/4" Acrylic Up Mount Extrusion
BSUA0730	Blade Side, 07x30 1/4" Acrylic Up Mount Extrusion
BSUA1324	Blade Side, 13x24 1/4" Acrylic Up Mount Extrusion
BSUA1330	Blade Side, 13x30 1/4" Acrylic Up Mount Extrusion
BSUA1824	Blade Side, 18x24 1/4" Acrylic Up Mount Extrusion
BSUA1830	Blade Side, 18x30 1/4" Acrylic Up Mount Extrusion

Continued on Next Page

BPUA

Upmount, Acrylic, Panel Mount, Continued

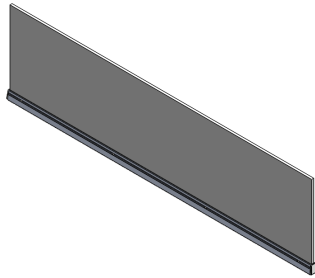
36" & 96" WIDE GABLE & SIDE PANEL UPMOUNTS

Product Code	Product Description
BPUA0736	Blade Panel, 07x36 1/4" Acrylic Up Mount Extrusion
BPUA0742	Blade Panel, 07x42 1/4" Acrylic Up Mount Extrusion
BPUA0748	Blade Panel, 07x48 1/4" Acrylic Up Mount Extrusion
BPUA0754	Blade Panel, 07x54 1/4" Acrylic Up Mount Extrusion
BPUA0760	Blade Panel, 07x60 1/4" Acrylic Up Mount Extrusion
BPUA0766	Blade Panel, 07x66 1/4" Acrylic Up Mount Extrusion
BPUA0772	Blade Panel, 07x72 1/4" Acrylic Up Mount Extrusion
BPUA0778	Blade Panel, 07x78 1/4" Acrylic Up Mount Extrusion
BPUA0784	Blade Panel, 07x84 1/4" Acrylic Up Mount Extrusion
BPUA0790	Blade Panel, 07x90 1/4" Acrylic Up Mount Extrusion
BPUA0796	Blade Panel, 07x96 1/4" Acrylic Up Mount Extrusion
BPUA1336	Blade Panel, 13x36 1/4" Acrylic Up Mount Extrusion
BPUA1342	Blade Panel, 13x42 1/4" Acrylic Up Mount Extrusion
BPUA1348	Blade Panel, 13x48 1/4" Acrylic Up Mount Extrusion
BPUA1354	Blade Panel, 13x54 1/4" Acrylic Up Mount Extrusion
BPUA1360	Blade Panel, 13x60 1/4" Acrylic Up Mount Extrusion
BPUA1366	Blade Panel, 13x66 1/4" Acrylic Up Mount Extrusion
BPUA1372	Blade Panel, 13x72 1/4" Acrylic Up Mount Extrusion
BPUA1378	Blade Panel, 13x78 1/4" Acrylic Up Mount Extrusion
BPUA1384	Blade Panel, 13x84 1/4" Acrylic Up Mount Extrusion
BPUA1390	Blade Panel, 13x90 1/4" Acrylic Up Mount Extrusion
BPUA1396	Blade Panel, 13x96 1/4" Acrylic Up Mount Extrusion
BPUA1836	Blade Panel, 18x36 1/4" Acrylic Up Mount Extrusion
BPUA1842	Blade Panel, 18x42 1/4" Acrylic Up Mount Extrusion
BPUA1848	Blade Panel, 18x48 1/4" Acrylic Up Mount Extrusion
BPUA1854	Blade Panel, 18x54 1/4" Acrylic Up Mount Extrusion
BPUA1860	Blade Panel, 18x60 1/4" Acrylic Up Mount Extrusion
BPUA1866	Blade Panel, 18x66 1/4" Acrylic Up Mount Extrusion
BPUA1872	Blade Panel, 18x72 1/4" Acrylic Up Mount Extrusion
BPUA1878	Blade Panel, 18x78 1/4" Acrylic Up Mount Extrusion
BPUA1884	Blade Panel, 18x84 1/4" Acrylic Up Mount Extrusion
BPUA1890	Blade Panel, 18x90 1/4" Acrylic Up Mount Extrusion
BPUA1896	Blade Panel, 18x96 1/4" Acrylic Up Mount Extrusion

Blade

BPUS

Upmount, Softscape, Blade Panel Mount



What's Included:

Upmount extrusion and divider. All necessary hardware

Finish Options:

Please see www.fluidgroup.com/finishes for finish details.

Grade 1 refers to an anodized extrusion and a softscape divider.

For a painted extrusion, please add \$25.00 list.

Information Required to Order:

Upmount code / divider finish.

Example Spec:

BPSU1A1360/SS25 (Red softscape, anodized extrusion)

BPSU1A1360/SS25/PCH (Red softscape, charcoal extrusion)

24" & 30" WIDE GABLE PANEL UPMOUNTS

Product Code	Product Description
BGUS0724	Blade Gable, 07x24 Softscape Up Mount Extrusion
BGUS0730	Blade Gable, 07x30 Softscape Up Mount Extrusion
BGUS1324	Blade Gable, 13x24 Softscape Up Mount Extrusion
BGUS1330	Blade Gable, 13x30 Softscape Up Mount Extrusion
BGUS1824	Blade Gable, 18x24 Softscape Up Mount Extrusion
BGUS1830	Blade Gable, 18x30 Softscape Up Mount Extrusion

24" & 30" WIDE SIDE PANEL UPMOUNTS

Product Code	Product Description
BSUS0724	Blade Side, 07x24 Softscape Up Mount Extrusion
BSUS0730	Blade Side, 07x30 Softscape Up Mount Extrusion
BSUS1324	Blade Side, 13x24 Softscape Up Mount Extrusion
BSUS1330	Blade Side, 13x30 Softscape Up Mount Extrusion
BSUS1824	Blade Side, 18x24 Softscape Up Mount Extrusion
BSUS1830	Blade Side, 18x30 Softscape Up Mount Extrusion

Continued on Next Page

BPUS

Upmount, Softscape, Panel Mount, Continued

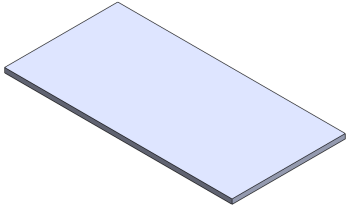
36" & 96" WIDE GABLE & SIDE PANEL UPMOUNTS

Product Code	Product Description
BPUS0736	Blade Panel, 07x36 Softscape Up Mount Extrusion
BPUS0742	Blade Panel, 07x42 Softscape Up Mount Extrusion
BPUS0748	Blade Panel, 07x48 Softscape Up Mount Extrusion
BPUS0754	Blade Panel, 07x54 Softscape Up Mount Extrusion
BPUS0760	Blade Panel, 07x60 Softscape Up Mount Extrusion
BPUS0766	Blade Panel, 07x66 Softscape Up Mount Extrusion
BPUS0772	Blade Panel, 07x72 Softscape Up Mount Extrusion
BPUS0778	Blade Panel, 07x78 Softscape Up Mount Extrusion
BPUS0784	Blade Panel, 07x84 Softscape Up Mount Extrusion
BPUS0790	Blade Panel, 07x90 Softscape Up Mount Extrusion
BPUS0796	Blade Panel, 07x96 Softscape Up Mount Extrusion
BPUS1336	Blade Panel, 13x36 Softscape Up Mount Extrusion
BPUS1342	Blade Panel, 13x42 Softscape Up Mount Extrusion
BPUS1348	Blade Panel, 13x48 Softscape Up Mount Extrusion
BPUS1354	Blade Panel, 13x54 Softscape Up Mount Extrusion
BPUS1360	Blade Panel, 13x60 Softscape Up Mount Extrusion
BPUS1366	Blade Panel, 13x66 Softscape Up Mount Extrusion
BPUS1372	Blade Panel, 13x72 Softscape Up Mount Extrusion
BPUS1378	Blade Panel, 13x78 Softscape Up Mount Extrusion
BPUS1384	Blade Panel, 13x84 Softscape Up Mount Extrusion
BPUS1390	Blade Panel, 13x90 Softscape Up Mount Extrusion
BPUS1396	Blade Panel, 13x96 Softscape Up Mount Extrusion
BPUS1836	Blade Panel, 18x36 Softscape Up Mount Extrusion
BPUS1842	Blade Panel, 18x42 Softscape Up Mount Extrusion
BPUS1848	Blade Panel, 18x48 Softscape Up Mount Extrusion
BPUS1854	Blade Panel, 18x54 Softscape Up Mount Extrusion
BPUS1860	Blade Panel, 18x60 Softscape Up Mount Extrusion
BPUS1866	Blade Panel, 18x66 Softscape Up Mount Extrusion
BPUS1872	Blade Panel, 18x72 Softscape Up Mount Extrusion
BPUS1878	Blade Panel, 18x78 Softscape Up Mount Extrusion
BPUS1884	Blade Panel, 18x84 Softscape Up Mount Extrusion
BPUS1890	Blade Panel, 18x90 Softscape Up Mount Extrusion
BPUS1896	Blade Panel, 18x96 Softscape Up Mount Extrusion

Blade

BWRT

Blade Rectangular Worksurface (Fixed Height Worksurfaces)



What's Included:

Worksurface. All necessary hardware.

Finish Options:

Please see www.fluidgroup.com/finishes for finish details.

Grade 1 refers to Thermofused laminate (TFL)

Grade 2 refers to High pressure laminate (HPL)

Information Required to Order:

Worksurface code / laminate finish.

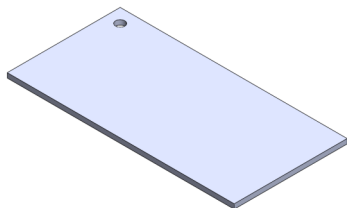
Example Spec:

BWRT3072/NW (Nova White)

Product Code	Product Description
BWRT2424	Blade, 24"D x 24"W Rectangular Worksurface, No Grommet
BWRT2430	Blade, 24"D x 30"W Rectangular Worksurface, No Grommet
BWRT2436	Blade, 24"D x 36"W Rectangular Worksurface, No Grommet
BWRT2442	Blade, 24"D x 42"W Rectangular Worksurface, No Grommet
BWRT2448	Blade, 24"D x 48"W Rectangular Worksurface, No Grommet
BWRT2454	Blade, 24"D x 54"W Rectangular Worksurface, No Grommet
BWRT2460	Blade, 24"D x 60"W Rectangular Worksurface, No Grommet
BWRT2466	Blade, 24"D x 66"W Rectangular Worksurface, No Grommet
BWRT2472	Blade, 24"D x 72"W Rectangular Worksurface, No Grommet
BWRT2478	Blade, 24"D x 78"W Rectangular Worksurface, No Grommet
BWRT2484	Blade, 24"D x 84"W Rectangular Worksurface, No Grommet
BWRT2490	Blade, 24"D x 90"W Rectangular Worksurface, No Grommet
BWRT2496	Blade, 24"D x 96"W Rectangular Worksurface, No Grommet
BWRT3024	Blade, 30"D x 24"W Rectangular Worksurface, No Grommet
BWRT3030	Blade, 30"D x 30"W Rectangular Worksurface, No Grommet
BWRT3036	Blade, 30"D x 36"W Rectangular Worksurface, No Grommet
BWRT3042	Blade, 30"D x 42"W Rectangular Worksurface, No Grommet
BWRT3048	Blade, 30"D x 48"W Rectangular Worksurface, No Grommet
BWRT3054	Blade, 30"D x 54"W Rectangular Worksurface, No Grommet
BWRT3060	Blade, 30"D x 60"W Rectangular Worksurface, No Grommet
BWRT3066	Blade, 30"D x 66"W Rectangular Worksurface, No Grommet
BWRT3072	Blade, 30"D x 72"W Rectangular Worksurface, No Grommet
BWRT3078	Blade, 30"D x 78"W Rectangular Worksurface, No Grommet
BWRT3084	Blade, 30"D x 84"W Rectangular Worksurface, No Grommet
BWRT3090	Blade, 30"D x 90"W Rectangular Worksurface, No Grommet
BWRT3096	Blade, 30"D x 96"W Rectangular Worksurface, No Grommet

BWRTGL

Blade Rectangular Worksurface, Grommet Left (Fixed Height Worksurfaces)

What's Included:

Worksurface. 3" Grommet. All necessary hardware.

Finish Options:Please see www.fluidgroup.com/finishes for finish details.

Grade 1 refers to Thermofused laminate (TFL)

Grade 2 refers to High pressure laminate (HPL)

Information Required to Order:

Worksurface code / laminate finish.

Example Spec:**BWRT3072GL/NW/RG3 W** (Nova White laminate, White grommet)Notes:

Grommet surfaces can also be used with XNOD electrical modules. Simply remove plastic grommet insert, and install module in grommet hole.

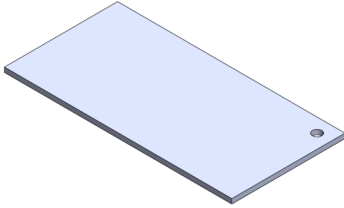
Product Code**Product Description**

BWRTGL2424	Blade, 24"D x 24"W Rectangular Worksurface, Grommet Left
BWRTGL2430	Blade, 24"D x 30"W Rectangular Worksurface, Grommet Left
BWRTGL2436	Blade, 24"D x 36"W Rectangular Worksurface, Grommet Left
BWRTGL2442	Blade, 24"D x 42"W Rectangular Worksurface, Grommet Left
BWRTGL2448	Blade, 24"D x 48"W Rectangular Worksurface, Grommet Left
BWRTGL2454	Blade, 24"D x 54"W Rectangular Worksurface, Grommet Left
BWRTGL2460	Blade, 24"D x 60"W Rectangular Worksurface, Grommet Left
BWRTGL2466	Blade, 24"D x 66"W Rectangular Worksurface, Grommet Left
BWRTGL2472	Blade, 24"D x 72"W Rectangular Worksurface, Grommet Left
BWRTGL2478	Blade, 24"D x 78"W Rectangular Worksurface, Grommet Left
BWRTGL2484	Blade, 24"D x 84"W Rectangular Worksurface, Grommet Left
BWRTGL2490	Blade, 24"D x 90"W Rectangular Worksurface, Grommet Left
BWRTGL2496	Blade, 24"D x 96"W Rectangular Worksurface, Grommet Left
BWRTGL3024	Blade, 30"D x 24"W Rectangular Worksurface, Grommet Left
BWRTGL3030	Blade, 30"D x 30"W Rectangular Worksurface, Grommet Left
BWRTGL3036	Blade, 30"D x 36"W Rectangular Worksurface, Grommet Left
BWRTGL3042	Blade, 30"D x 42"W Rectangular Worksurface, Grommet Left
BWRTGL3048	Blade, 30"D x 48"W Rectangular Worksurface, Grommet Left
BWRTGL3054	Blade, 30"D x 54"W Rectangular Worksurface, Grommet Left
BWRTGL3060	Blade, 30"D x 60"W Rectangular Worksurface, Grommet Left
BWRTGL3066	Blade, 30"D x 66"W Rectangular Worksurface, Grommet Left
BWRTGL3072	Blade, 30"D x 72"W Rectangular Worksurface, Grommet Left
BWRTGL3078	Blade, 30"D x 78"W Rectangular Worksurface, Grommet Left
BWRTGL3084	Blade, 30"D x 84"W Rectangular Worksurface, Grommet Left
BWRTGL3090	Blade, 30"D x 90"W Rectangular Worksurface, Grommet Left
BWRTGL3096	Blade, 30"D x 96"W Rectangular Worksurface, Grommet Left

Blade

BWRTGR

Blade Rectangular Worksurface, Grommet Right (Fixed Height Worksurfaces)



What's Included:

Worksurface. 3" Grommet. All necessary hardware.

Finish Options:

Please see www.fluidgroup.com/finishes for finish details.

Grade 1 refers to Thermofused laminate (TFL)

Grade 2 refers to High pressure laminate (HPL)

Information Required to Order:

Worksurface code / laminate finish.

Example Spec:

BWRT3072GR/NW/RG3 W (Nova White laminate, White grommet)

Notes:

Grommet surfaces can also be used with XNOD electrical modules. Simply remove plastic grommet insert, and install module in grommet hole.

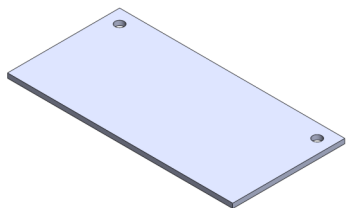
Product Code

Product Description

BWRTGR2424	Blade, 24"D x 24"W Rectangular Worksurface, Grommet Right
BWRTGR2430	Blade, 24"D x 30"W Rectangular Worksurface, Grommet Right
BWRTGR2436	Blade, 24"D x 36"W Rectangular Worksurface, Grommet Right
BWRTGR2442	Blade, 24"D x 42"W Rectangular Worksurface, Grommet Right
BWRTGR2448	Blade, 24"D x 48"W Rectangular Worksurface, Grommet Right
BWRTGR2454	Blade, 24"D x 54"W Rectangular Worksurface, Grommet Right
BWRTGR2460	Blade, 24"D x 60"W Rectangular Worksurface, Grommet Right
BWRTGR2466	Blade, 24"D x 66"W Rectangular Worksurface, Grommet Right
BWRTGR2472	Blade, 24"D x 72"W Rectangular Worksurface, Grommet Right
BWRTGR2478	Blade, 24"D x 78"W Rectangular Worksurface, Grommet Right
BWRTGR2484	Blade, 24"D x 84"W Rectangular Worksurface, Grommet Right
BWRTGR2490	Blade, 24"D x 90"W Rectangular Worksurface, Grommet Right
BWRTGR2496	Blade, 24"D x 96"W Rectangular Worksurface, Grommet Right
BWRTGR3024	Blade, 30"D x 24"W Rectangular Worksurface, Grommet Right
BWRTGR3030	Blade, 30"D x 30"W Rectangular Worksurface, Grommet Right
BWRTGR3036	Blade, 30"D x 36"W Rectangular Worksurface, Grommet Right
BWRTGR3042	Blade, 30"D x 42"W Rectangular Worksurface, Grommet Right
BWRTGR3048	Blade, 30"D x 48"W Rectangular Worksurface, Grommet Right
BWRTGR3054	Blade, 30"D x 54"W Rectangular Worksurface, Grommet Right
BWRTGR3060	Blade, 30"D x 60"W Rectangular Worksurface, Grommet Right
BWRTGR3066	Blade, 30"D x 66"W Rectangular Worksurface, Grommet Right
BWRTGR3072	Blade, 30"D x 72"W Rectangular Worksurface, Grommet Right
BWRTGR3078	Blade, 30"D x 78"W Rectangular Worksurface, Grommet Right
BWRTGR3084	Blade, 30"D x 84"W Rectangular Worksurface, Grommet Right
BWRTGR3090	Blade, 30"D x 90"W Rectangular Worksurface, Grommet Right
BWRTGR3096	Blade, 30"D x 96"W Rectangular Worksurface, Grommet Right

BWRTGD

Blade Rectangular Worksurface, Grommet Double (Fixed Height Worksurfaces)

What's Included:

Worksurface. 3" Grommets. All necessary hardware.

Finish Options:Please see www.fluidgroup.com/finishes for finish details.

Grade 1 refers to Thermofused laminate (TFL)

Grade 2 refers to High pressure laminate (HPL)

Information Required to Order:

Worksurface code / laminate finish.

Example Spec:**BWRT3072GD/NW/RG3 W** (Nova White laminate, White grommets)Notes:

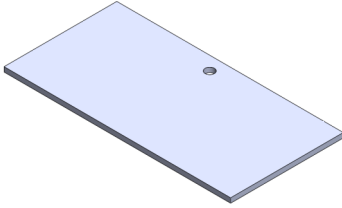
Grommet surfaces can also be used with XNOD electrical modules. Simply remove plastic grommet insert, and install module in grommet hole.

Product Code	Product Description
BWRTGD2424	Blade, 24"D x 24"W Rectangular Worksurface, Grommet Double
BWRTGD2430	Blade, 24"D x 30"W Rectangular Worksurface, Grommet Double
BWRTGD2436	Blade, 24"D x 36"W Rectangular Worksurface, Grommet Double
BWRTGD2442	Blade, 24"D x 42"W Rectangular Worksurface, Grommet Double
BWRTGD2448	Blade, 24"D x 48"W Rectangular Worksurface, Grommet Double
BWRTGD2454	Blade, 24"D x 54"W Rectangular Worksurface, Grommet Double
BWRTGD2460	Blade, 24"D x 60"W Rectangular Worksurface, Grommet Double
BWRTGD2466	Blade, 24"D x 66"W Rectangular Worksurface, Grommet Double
BWRTGD2472	Blade, 24"D x 72"W Rectangular Worksurface, Grommet Double
BWRTGD2478	Blade, 24"D x 78"W Rectangular Worksurface, Grommet Double
BWRTGD2484	Blade, 24"D x 84"W Rectangular Worksurface, Grommet Double
BWRTGD2490	Blade, 24"D x 90"W Rectangular Worksurface, Grommet Double
BWRTGD2496	Blade, 24"D x 96"W Rectangular Worksurface, Grommet Double
BWRTGD3024	Blade, 30"D x 24"W Rectangular Worksurface, Grommet Double
BWRTGD3030	Blade, 30"D x 30"W Rectangular Worksurface, Grommet Double
BWRTGD3036	Blade, 30"D x 36"W Rectangular Worksurface, Grommet Double
BWRTGD3042	Blade, 30"D x 42"W Rectangular Worksurface, Grommet Double
BWRTGD3048	Blade, 30"D x 48"W Rectangular Worksurface, Grommet Double
BWRTGD3054	Blade, 30"D x 54"W Rectangular Worksurface, Grommet Double
BWRTGD3060	Blade, 30"D x 60"W Rectangular Worksurface, Grommet Double
BWRTGD3066	Blade, 30"D x 66"W Rectangular Worksurface, Grommet Double
BWRTGD3072	Blade, 30"D x 72"W Rectangular Worksurface, Grommet Double
BWRTGD3078	Blade, 30"D x 78"W Rectangular Worksurface, Grommet Double
BWRTGD3084	Blade, 30"D x 84"W Rectangular Worksurface, Grommet Double
BWRTGD3090	Blade, 30"D x 90"W Rectangular Worksurface, Grommet Double
BWRTGD3096	Blade, 30"D x 96"W Rectangular Worksurface, Grommet Double

Blade

BWRTGC

Blade Rectangular Worksurface, Grommet Center (Fixed Height Worksurfaces)



What's Included:

Worksurface. 3" Grommet. All necessary hardware.

Finish Options:

Please see www.fluidgroup.com/finishes for finish details.

Grade 1 refers to Thermofused laminate (TFL)

Grade 2 refers to High pressure laminate (HPL)

Information Required to Order:

Worksurface code / laminate finish.

Example Spec:

HTWRT3072GC/NW/RG3 W (Nova White laminate, White grommet)

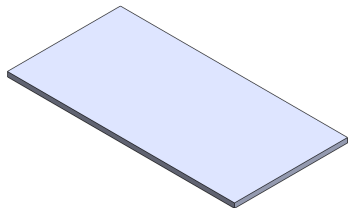
Notes:

Grommet surfaces can also be used with XNOD electrical modules. Simply remove plastic grommet insert, and install module in grommet hole.

Product Code	Product Description
BWRTGC2424	Blade, 24"D x 24"W Rectangular Worksurface, Grommet Center
BWRTGC2430	Blade, 24"D x 30"W Rectangular Worksurface, Grommet Center
BWRTGC2436	Blade, 24"D x 36"W Rectangular Worksurface, Grommet Center
BWRTGC2442	Blade, 24"D x 42"W Rectangular Worksurface, Grommet Center
BWRTGC2448	Blade, 24"D x 48"W Rectangular Worksurface, Grommet Center
BWRTGC2454	Blade, 24"D x 54"W Rectangular Worksurface, Grommet Center
BWRTGC2460	Blade, 24"D x 60"W Rectangular Worksurface, Grommet Center
BWRTGC2466	Blade, 24"D x 66"W Rectangular Worksurface, Grommet Center
BWRTGC2472	Blade, 24"D x 72"W Rectangular Worksurface, Grommet Center
BWRTGC2478	Blade, 24"D x 78"W Rectangular Worksurface, Grommet Center
BWRTGC2484	Blade, 24"D x 84"W Rectangular Worksurface, Grommet Center
BWRTGC2490	Blade, 24"D x 90"W Rectangular Worksurface, Grommet Center
BWRTGC2496	Blade, 24"D x 96"W Rectangular Worksurface, Grommet Center
BWRTGC3024	Blade, 30"D x 24"W Rectangular Worksurface, Grommet Center
BWRTGC3030	Blade, 30"D x 30"W Rectangular Worksurface, Grommet Center
BWRTGC3036	Blade, 30"D x 36"W Rectangular Worksurface, Grommet Center
BWRTGC3042	Blade, 30"D x 42"W Rectangular Worksurface, Grommet Center
BWRTGC3048	Blade, 30"D x 48"W Rectangular Worksurface, Grommet Center
BWRTGC3054	Blade, 30"D x 54"W Rectangular Worksurface, Grommet Center
BWRTGC3060	Blade, 30"D x 60"W Rectangular Worksurface, Grommet Center
BWRTGC3066	Blade, 30"D x 66"W Rectangular Worksurface, Grommet Center
BWRTGC3072	Blade, 30"D x 72"W Rectangular Worksurface, Grommet Center
BWRTGC3078	Blade, 30"D x 78"W Rectangular Worksurface, Grommet Center
BWRTGC3084	Blade, 30"D x 84"W Rectangular Worksurface, Grommet Center
BWRTGC3090	Blade, 30"D x 90"W Rectangular Worksurface, Grommet Center
BWRTGC3096	Blade, 30"D x 96"W Rectangular Worksurface, Grommet Center

HTWRT

Height Adjustable Rectangular Worksurface

What's Included:

Worksurface. All necessary hardware.

Finish Options:

Please see www.fluidgroup.com/finishes for finish details.

Grade 1 refers to Thermofused laminate (TFL)

Grade 2 refers to High pressure laminate (HPL)

Information Required to Order:

Worksurface code / laminate finish.

Example Spec:

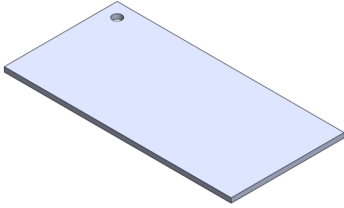
HTWRT3072/NW (Nova White laminate)

Product Code	Product Description
HTWRT2346	Height Adj Surface, 23"D x 46"W Rectangular Worksurface, No Grommet
HTWRT2352	Height Adj Surface, 23"D x 52"W Rectangular Worksurface, No Grommet
HTWRT2358	Height Adj Surface, 23"D x 58"W Rectangular Worksurface, No Grommet
HTWRT2364	Height Adj Surface, 23"D x 64"W Rectangular Worksurface, No Grommet
HTWRT2370	Height Adj Surface, 23"D x 70"W Rectangular Worksurface, No Grommet
HTWRT2946	Height Adj Surface, 29"D x 46"W Rectangular Worksurface, No Grommet
HTWRT2952	Height Adj Surface, 29"D x 52"W Rectangular Worksurface, No Grommet
HTWRT2958	Height Adj Surface, 29"D x 58"W Rectangular Worksurface, No Grommet
HTWRT2964	Height Adj Surface, 29"D x 64"W Rectangular Worksurface, No Grommet
HTWRT2970	Height Adj Surface, 29"D x 70"W Rectangular Worksurface, No Grommet

Blade

HTWRTGL

Height Adjustable Worksurface, Grommet Left



What's Included:

Worksurface, 3" Grommet. All necessary hardware.

Finish Options:

Please see www.fluidgroup.com/finishes for finish details.

Grade 1 refers to Thermofused laminate (TFL)

Grade 2 refers to High pressure laminate (HPL)

Information Required to Order:

Worksurface code / laminate finish.

Example Spec:

HTWRT3072GL/NW/RG3 W (Nova White laminate, White grommet)

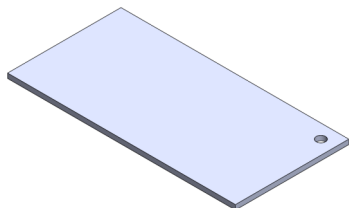
Notes:

Grommet surfaces can also be used with XNOD electrical modules. Simply remove plastic grommet insert, and install module in grommet hole.

Product Code	Product Description
HTWRTGL2346	Height Adj Surface, 23"D x 46"W Rectangular Worksurface, Grommet Left
HTWRTGL2352	Height Adj Surface, 23"D x 52"W Rectangular Worksurface, Grommet Left
HTWRTGL2358	Height Adj Surface, 23"D x 58"W Rectangular Worksurface, Grommet Left
HTWRTGL2364	Height Adj Surface, 23"D x 64"W Rectangular Worksurface, Grommet Left
HTWRTGL2370	Height Adj Surface, 23"D x 70"W Rectangular Worksurface, Grommet Left
HTWRTGL2946	Height Adj Surface, 29"D x 46"W Rectangular Worksurface, Grommet Left
HTWRTGL2952	Height Adj Surface, 29"D x 52"W Rectangular Worksurface, Grommet Left
HTWRTGL2958	Height Adj Surface, 29"D x 58"W Rectangular Worksurface, Grommet Left
HTWRTGL2964	Height Adj Surface, 29"D x 64"W Rectangular Worksurface, Grommet Left
HTWRTGL2970	Height Adj Surface, 29"D x 70"W Rectangular Worksurface, Grommet Left

HTWRTGR

Height Adjustable Worksurface, Grommet Right



What's Included:

Worksurface. 3" Grommet. All necessary hardware.

Finish Options:

Please see www.fluidgroup.com/finishes for finish details.

Grade 1 refers to Thermofused laminate (TFL)

Grade 2 refers to High pressure laminate (HPL)

Information Required to Order:

Worksurface code / laminate finish.

Example Spec:

HTWRT3072GR/NW/RG3 W (Nova White laminate, White grommet)

Notes:

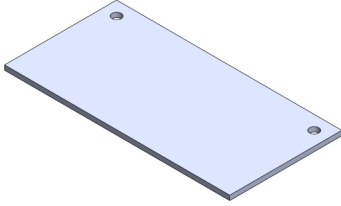
Grommet surfaces can also be used with XNOD electrical modules. Simply remove plastic grommet insert, and install module in grommet hole.

Product Code	Product Description
HTWRTGR2346	Height Adj Surface, 23"D x 46"W Rectangular Worksurface, Grommet Right
HTWRTGR2352	Height Adj Surface, 23"D x 52"W Rectangular Worksurface, Grommet Right
HTWRTGR2358	Height Adj Surface, 23"D x 58"W Rectangular Worksurface, Grommet Right
HTWRTGR2364	Height Adj Surface, 23"D x 64"W Rectangular Worksurface, Grommet Right
HTWRTGR2370	Height Adj Surface, 23"D x 70"W Rectangular Worksurface, Grommet Right
HTWRTGR2946	Height Adj Surface, 29"D x 46"W Rectangular Worksurface, Grommet Right
HTWRTGR2952	Height Adj Surface, 29"D x 52"W Rectangular Worksurface, Grommet Right
HTWRTGR2958	Height Adj Surface, 29"D x 58"W Rectangular Worksurface, Grommet Right
HTWRTGR2964	Height Adj Surface, 29"D x 64"W Rectangular Worksurface, Grommet Right
HTWRTGR2970	Height Adj Surface, 29"D x 70"W Rectangular Worksurface, Grommet Right

Blade

HTWRTGD

Height Adjustable Worksurface, Grommet Double



What's Included:

Worksurface. 3" Grommet. All necessary hardware.

Finish Options:

Please see www.fluidgroup.com/finishes for finish details.

Grade 1 refers to Thermofused laminate (TFL)

Grade 2 refers to High pressure laminate (HPL)

Information Required to Order:

Worksurface code / laminate finish.

Example Spec:

HTWRT3072GD/NW/RG3 W (Nova White laminate, White grommet)

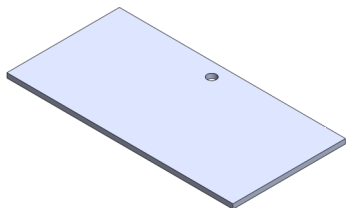
Notes:

Grommet surfaces can also be used with XNOD electrical modules. Simply remove plastic grommet insert, and install module in grommet hole.

Product Code	Product Description
HTWRTGD2346	Height Adj Surface, 23"D x 46"W Rectangular Worksurface, Grommet Double
HTWRTGD2352	Height Adj Surface, 23"D x 52"W Rectangular Worksurface, Grommet Double
HTWRTGD2358	Height Adj Surface, 23"D x 58"W Rectangular Worksurface, Grommet Double
HTWRTGD2364	Height Adj Surface, 23"D x 64"W Rectangular Worksurface, Grommet Double
HTWRTGD2370	Height Adj Surface, 23"D x 70"W Rectangular Worksurface, Grommet Double
HTWRTGD2946	Height Adj Surface, 29"D x 46"W Rectangular Worksurface, Grommet Double
HTWRTGD2952	Height Adj Surface, 29"D x 52"W Rectangular Worksurface, Grommet Double
HTWRTGD2958	Height Adj Surface, 29"D x 58"W Rectangular Worksurface, Grommet Double
HTWRTGD2964	Height Adj Surface, 29"D x 64"W Rectangular Worksurface, Grommet Double
HTWRTGD2970	Height Adj Surface, 29"D x 70"W Rectangular Worksurface, Grommet Double

HTWRTGC

Height Adjustable Worksurface, Grommet Center

What's Included:

Worksurface. 3" Grommet. All necessary hardware.

Finish Options:Please see www.fluidgroup.com/finishes for finish details.

Grade 1 refers to Thermofused laminate (TFL)

Grade 2 refers to High pressure laminate (HPL)

Information Required to Order:

Worksurface code / laminate finish.

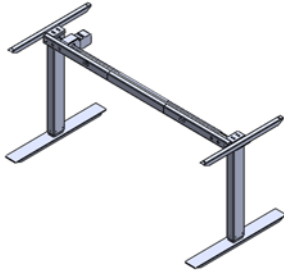
Example Spec:**HTWRT3072GC/NW/RG3 W** (Nova White laminate, White grommet)Notes:

Grommet surfaces can also be used with XNOD electrical modules. Simply remove plastic grommet insert, and install module in grommet hole.

Product Code	Product Description
HTWRTGC2346	Height Adj Surface, 23"D x 46"W Rectangular Worksurface, Grommet Center
HTWRTGC2352	Height Adj Surface, 23"D x 52"W Rectangular Worksurface, Grommet Center
HTWRTGC2358	Height Adj Surface, 23"D x 58"W Rectangular Worksurface, Grommet Center
HTWRTGC2364	Height Adj Surface, 23"D x 64"W Rectangular Worksurface, Grommet Center
HTWRTGC2370	Height Adj Surface, 23"D x 70"W Rectangular Worksurface, Grommet Center
HTWRTGC2946	Height Adj Surface, 29"D x 46"W Rectangular Worksurface, Grommet Center
HTWRTGC2952	Height Adj Surface, 29"D x 52"W Rectangular Worksurface, Grommet Center
HTWRTGC2958	Height Adj Surface, 29"D x 58"W Rectangular Worksurface, Grommet Center
HTWRTGC2964	Height Adj Surface, 29"D x 64"W Rectangular Worksurface, Grommet Center
HTWRTGC2970	Height Adj Surface, 29"D x 70"W Rectangular Worksurface, Grommet Center

Blade

ILEV1T
ILEV T Leg Base



What's Included:
Height adjustable table base. All necessary hardware.

Finish Options:
Please see www.fluidgroup.com/finishes for finish details.

Information Required to Order:
ilev code/ finish.

Example Spec:
ILEV1T/SL

Notes:
Frame height range: 23" - 48.75" (not including 1" thick surface)
Adjustable width frame.
3/4" levelling range
3 memory handset with digital display.
Load capacity: 120kg / 265 lbs

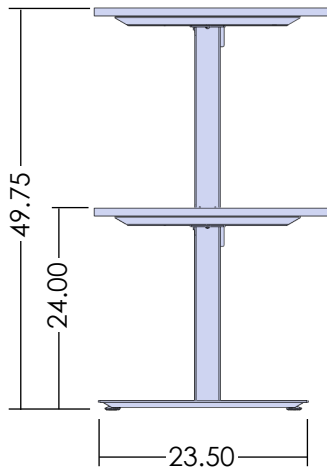
Product Code

Product Description

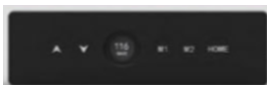
ILEV1T

i-lev1, Electric Height Adj Table, Three Stage T-Leg, Base Only, Adj Width 44"-63"

ILEV1T

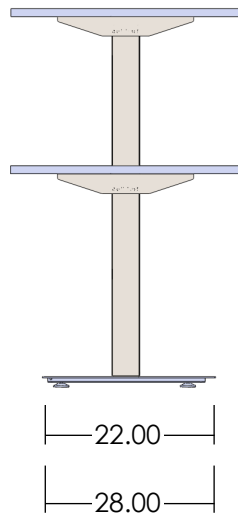


Handset



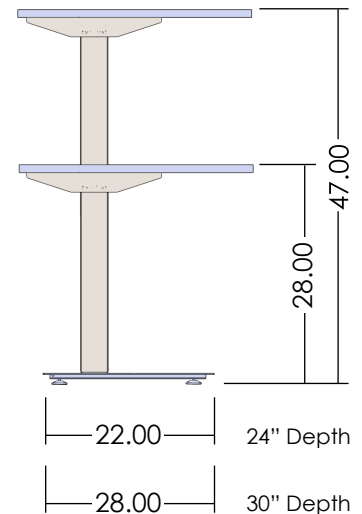
QCLR_T

T Leg



QCLR_C

C Leg



Handset Options



Standard

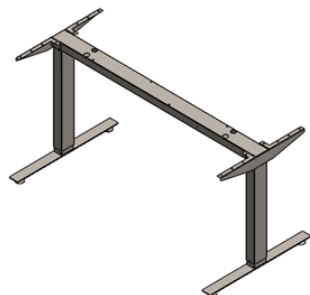


Upgrade to a Programmable Switch.

Code: **TOUCHFX**

QCLRT_T

Clever - T Leg base

What's Included:

Height adjustable table base. All necessary hardware.

Finish Options:Please see www.fluidgroup.com/finishes for finish details.Information Required to Order:

Clever code/ finish.

Example Spec:**QCLRT_30T/SL**Notes:

Frame height range: 27" - 46" (not including 1" thick surface)

Adjustable width frame.

3/4" levelling range

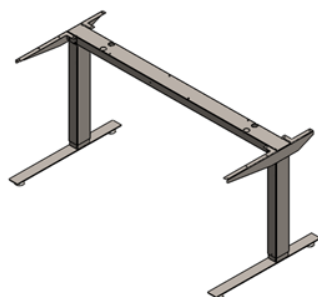
Upgraded handset available

Load capacity: 91kg / 200 lbs

Product Code	Product Description
QCLRT_24T	Clever, Electric Height Adj Table, T-Leg, Base Only, 24"D x 48"-72"W
QCLRT_30T	Clever, Electric Height Adj Table, T-Leg, Base Only, 30"D x 48"-72"W

QCLRT_C

Clever - C Leg base

What's Included:

Height adjustable table base. All necessary hardware.

Finish Options:Please see www.fluidgroup.com/finishes for finish details.Information Required to Order:

Clever code/ finish.

Example Spec:**QCLRT_30C/SL**

Product Code	Product Description	List
QCLRT_24C	Clever, Electric Height Adj Table, C-Leg, Base Only, 24"D x 48"-72"W	1953
QCLRT_30C	Clever, Electric Height Adj Table, C-Leg, Base Only, 30"D x 48"-72"W	2153

Blade

BAAR

Accessory Rail



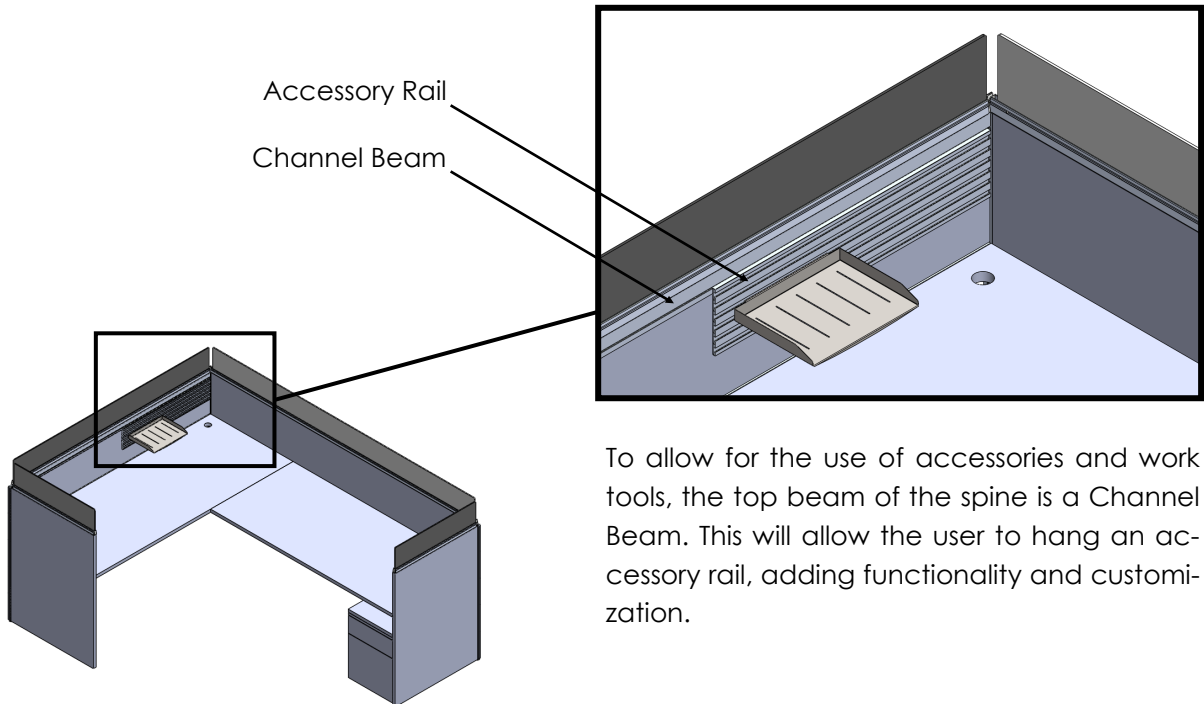
What's Included:
Accessory Rail

Finish Options:
Please see www.fluidgroup.com/finishes for finish details.
Grade 1 refers to Anodized. Grade 2 refers to painted.

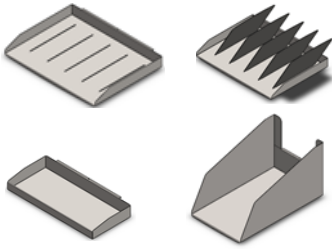
Information Required to Order:
Accessory code/ finish.

Example Spec:
BAAR60/ANO (Anodized)

Product Code	Product Description
BAAR36	Blade, 36"W Accessory Rail
BAAR42	Blade, 42"W Accessory Rail
BAAR48	Blade, 48"W Accessory Rail
BAAR54	Blade, 54"W Accessory Rail
BAAR60	Blade, 60"W Accessory Rail
BAAR66	Blade, 66"W Accessory Rail
BAAR72	Blade, 72"W Accessory Rail



XA
Accessories



What's Included:

Accessory. Note: Accessory rail to be Purchased Separately. See page 76

Finish Options:

Please see www.fluidgroup.com/finishes for finish details.
Grade 1 refers to Silver. Grade 2 refers to painted.

Information Required to Order:

Accessory code/ finish.

Example Spec:

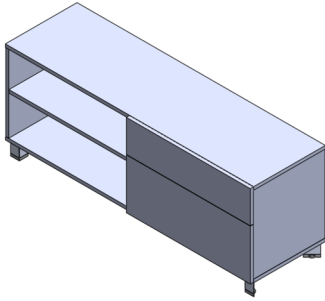
XAPN02/PCH (Painted charcoal)

Product Code	Product Description
XAPT02	Paper Tray, Letter Size - Metal
XAPT03	Paper Tray with 5 Dividers
XAPN02	Utility/Pencil Tray
XABT02	Binder Bin - Metal

Blade

7SCL

Low Credenza



What's Included:

Low credenza storage unit on edge feet

Finish Options:

Please see www.fluidgroup.com/finishes for finish details.

Grade 1 refers to Thermofused laminate (TFL) contrast

Grade 2 refers to High pressure laminate (HPL) contrast

Information Required to Order:

Credenza code / **T**op, **C**ontrast, **B**ase and handle

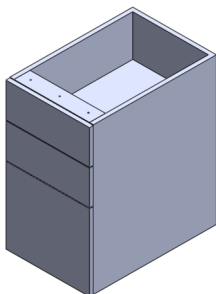
Example Spec:

7SLC1860OBF/TNW/CAW/BNW/BR1 (**T**op in Nova White, **C**ontrast in Amait Walnut, **B**ase in Nova White, **B**ar handle)

Product Code	Product Description	Drawer Width
7SCL1848OBF	18"D x 48"W x 24"H Low Credenza. Open / Box File. Edge Feet	24"
7SCL1848BFO	18"D x 48"W x 24"H Low Credenza. Box File / Open. Edge Feet	24"
7SCL1854OBF	18"D x 54"W x 24"H Low Credenza. Open / Box File. Edge Feet	30"
7SCL1854BFO	18"D x 54"W x 24"H Low Credenza. Box File / Open. Edge Feet	30"
7SCL1860OBF	18"D x 60"W x 24"H Low Credenza. Open / Box File. Edge Feet	30"
7SCL1860BFO	18"D x 60"W x 24"H Low Credenza. Box File / Open. Edge Feet	30"
7SCL1866OBF	18"D x 66"W x 24"H Low Credenza. Open / Box File. Edge Feet	36"
7SCL1866BFO	18"D x 66"W x 24"H Low Credenza. Box File / Open. Edge Feet	36"
7SCL1872OBF	18"D x 72"W x 24"H Low Credenza. Open / Box File. Edge Feet	36"
7SCL1872BFO	18"D x 72"W x 24"H Low Credenza. Box File / Open. Edge Feet	36"

7SJX

Floor Pedestals (Worksurface Supporting)



What's Included:

Pedestal Storage Unit

Finish Options:

Please see www.fluidgroup.com/finishes for finish details.

Grade 1 refers to Thermofused laminate (TFL) contrast

Grade 2 refers to High pressure laminate (HPL) contrast

Information Required to Order:

Pedestal code / **T**op, **C**ontrast, **B**ase and handle

Example Spec:

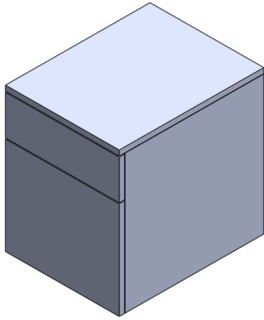
7SJX24/TNW/CAW/BNW/BR1 (**T**op in Nova White, **C**ontrast in Amaid Walnut, **B**ase in Nova White, **B**ar handle)

Product Code	Product Description
7SJX20	20"D x 16"W x 28"H Floor Pedestal, Box Box File
7SJX24	24"D x 16"W x 28"H Floor Pedestal, Box Box File
7SJX30	30"D x 16"W x 28"H Floor Pedestal, Box Box File
7SJY20	20"D x 16"W x 28"H Floor Pedestal, File File
7SJY24	24"D x 16"W x 28"H Floor Pedestal, File File
7SJY30	30"D x 16"W x 28"H Floor Pedestal, File File

Blade

7SMW

Mobile Box File



What's Included:
Mobile pedestal storage unit

Finish Options:
Please see www.fluidgroup.com/finishes for finish details.
Grade 1 refers to Thermofused laminate (TFL) Contrast
Grade 2 refers to High pressure laminate (HPL) Contrast

Information Required to Order:
Credenza code / **T**op, **C**ontrast, **B**ase and Handle

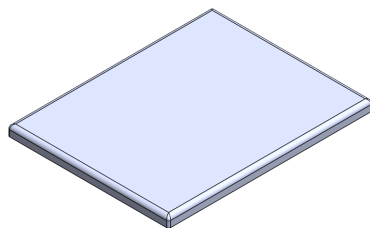
Example Spec:
7SMW24/TNW/CAW/BNW/BR1 (**T**op in Nova White, **C**ontrast in Amait Walnut, **B**ase in Nova White, Bar handle)

Product Code**Product Description**

7SMW20	20"D x 16"W x 22"H Mobile Pedestal, Box File
7SMW24	24"D x 16"W x 22"H Mobile Pedestal, Box File
7SMW30	30"D x 16"W x 22"H Mobile Pedestal, Box File

FCUSH

Storage Cushions



What's Included:

Low Credenza Storage Unit on Edge Feet

Finish Options:

Please see www.fluidgroup.com/finishes for finish details.
See website for fabric swatch images. fluidconcepts.ca

Information Required to Order:

Cushion code / fabric finish.

Example:

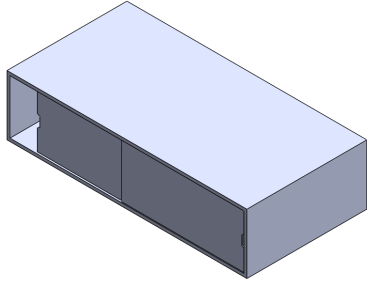
FCUSH1624/FAB-EP-1 (Epic Azure)

Product Code	Product Description	Use With Storage Unit
FCUSH 1620	16"W x 20"D Storage Cushion	7SMW20
FCUSH 1624	16"W x 24"D Storage Cushion	7SMW24
FCUSH 1630	16"W x 30"D Storage Cushion	7SMW30
FCUSH 2417	24"W x 17"D Storage Cushion	7SLC1848
FCUSH 3017	30"W x 17"D Storage Cushion	7SLC1854 or 7SLC1860
FCUSH 3617	36"W x 17"D Storage Cushion	7SLC1866 or 7SLC1872

Blade

BSOHD

Overhead Storage, Double sided



What's Included:

Overhead storage unit. All necessary hardware.

Finish Options:

Please see www.fluidgroup.com/finishes for finish details.

Information Required to Order:

Overhead code / **B**ase finish / acrylic door finish

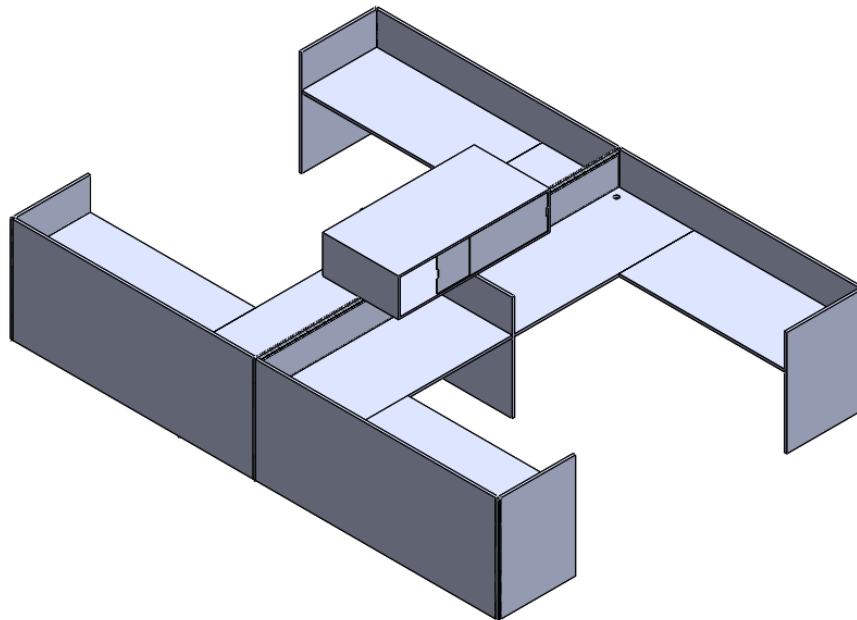
Example Spec:

BSOHD603015/BSW/AW1 (**B**ase in Silverwood, doors white acrylic)

Product Code

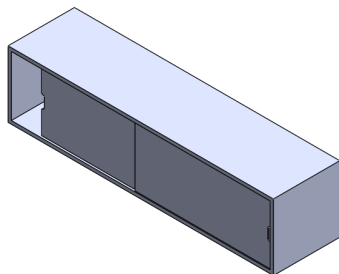
Product Description

BSOHD483015	48"W x 30"D x 15"H	Double Sided Overhead Storage, Sliding Doors
BSOHD603015	60"W x 30"D x 15"H	Double Sided Overhead Storage, Sliding Doors
BSOHD723015	72"W x 30"D x 15"H	Double Sided Overhead Storage, Sliding Doors



BSOHS

Overhead Storage, Single sided



What's Included:

Overhead storage unit, All necessary hardware

Finish Options:

Please see www.fluidgroup.com/finishes for finish details.

Information Required to Order:

Overhead code / **B**ase finish / acrylic door finish

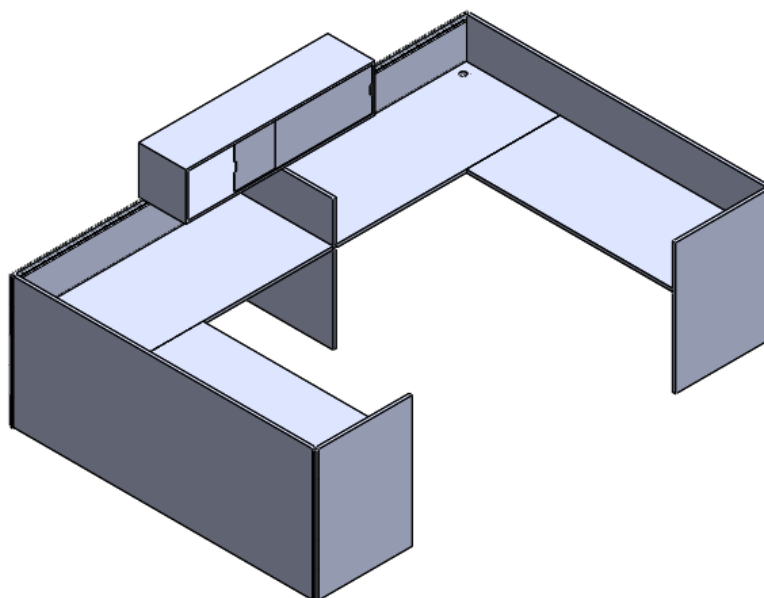
Example Spec:

BSOHS6031515/BSW/AW1 (**B**ase in Silverwood, doors white acrylic)

Product Code

Product Description

Product Code	Product Description
BSOHS361515	36"W x 15"D x 15"H Single Sided Overhead Storage, Sliding Doors
BSOHS481515	48"W x 15"D x 15"H Single Sided Overhead Storage, Sliding Doors
BSOHS601515	60"W x 15"D x 15"H Single Sided Overhead Storage, Sliding Doors
BSOHS721515	72"W x 15"D x 15"H Single Sided Overhead Storage, Sliding Doors



Blade

BESW

Serviceway, Non-Powered, Single or Double Sided



What's Included:

Serviceway channel. All necessary hardware.

Finish Options:

Please see www.fluidgroup.com/finishes for finish details.

Grade 1 refers to anodized.

Grade 2 refers to painted.

Information Required to Order:

Serviceway code / Structures finish.

Example Spec:

BESW72/ANO (Anodized)

Product Code	Product Description
BESWS24	Blade, 24"W Serviceway, Non-Powered, Single Sided
BESWS30	Blade, 30"W Serviceway, Non-Powered, Single Sided
BESWS36	Blade, 36"W Serviceway, Non-Powered, Single Sided
BESWS42	Blade, 42"W Serviceway, Non-Powered, Single Sided
BESWS48	Blade, 48"W Serviceway, Non-Powered, Single Sided
BESWS54	Blade, 54"W Serviceway, Non-Powered, Single Sided
BESWS60	Blade, 60"W Serviceway, Non-Powered, Single Sided
BESWS66	Blade, 66"W Serviceway, Non-Powered, Single Sided
BESWS72	Blade, 72"W Serviceway, Non-Powered, Single Sided
BESWS78	Blade, 78"W Serviceway, Non-Powered, Single Sided
BESWS84	Blade, 84"W Serviceway, Non-Powered, Single Sided
BESWS90	Blade, 90"W Serviceway, Non-Powered, Single Sided
BESWS96	Blade, 96"W Serviceway, Non-Powered, Single Sided
BESWD24	Blade, 24"W Serviceway, Non-Powered, Double Sided
BESWD30	Blade, 30"W Serviceway, Non-Powered, Double Sided
BESWD36	Blade, 36"W Serviceway, Non-Powered, Double Sided
BESWD42	Blade, 42"W Serviceway, Non-Powered, Double Sided
BESWD48	Blade, 48"W Serviceway, Non-Powered, Double Sided
BESWD54	Blade, 54"W Serviceway, Non-Powered, Double Sided
BESWD60	Blade, 60"W Serviceway, Non-Powered, Double Sided
BESWD66	Blade, 66"W Serviceway, Non-Powered, Double Sided
BESWD72	Blade, 72"W Serviceway, Non-Powered, Double Sided
BESWD78	Blade, 78"W Serviceway, Non-Powered, Double Sided
BESWD84	Blade, 84"W Serviceway, Non-Powered, Double Sided
BESWD90	Blade, 90"W Serviceway, Non-Powered, Double Sided
BESWD96	Blade, 96"W Serviceway, Non-Powered, Double Sided

BESWS

Serviceway, Single Sided

What's Included:

Serviceway channel. Internal electrical components. Data Knockout All necessary hardware.

Finish Options:

Please see www.fluidgroup.com/finishes for finish details.

Grade 1 refers to anodized.

Grade 2 refers to painted

Information Required to Order:

Serviceway code / Structures finish.

Example Spec:

BESWS72/ANO (anodized)

Notes:

3 Wire, Circuit 1111 Serviceway will require a XEBFQ72 or XEBFQ120 **Plug In Basefeed**

8 Wire, Circuit 1234 Serviceway will require a XEBF8472 or XEBF84120 **Hardwire Basefeed**

Product Code	Product Description
BESWS3124	Blade, 24"W Serviceway, PwrData 3Wire,Cir1111, 4 Simplexes on Single Side
BESWS3130	Blade, 30"W Serviceway, PwrData 3Wire,Cir1111, 4 Simplexes on Single Side
BESWS3136	Blade, 36"W Serviceway, PwrData 3Wire,Cir1111, 4 Simplexes on Single Side
BESWS3142	Blade, 42"W Serviceway, PwrData 3Wire,Cir1111, 4 Simplexes on Single Side
BESWS3148	Blade, 48"W Serviceway, PwrData 3Wire,Cir1111, 4 Simplexes on Single Side
BESWS3154	Blade, 54"W Serviceway, PwrData 3Wire,Cir1111, 4 Simplexes on Single Side
BESWS3160	Blade, 60"W Serviceway, PwrData 3Wire,Cir1111, 4 Simplexes on Single Side
BESWS3166	Blade, 66"W Serviceway, PwrData 3Wire,Cir1111, 4 Simplexes on Single Side
BESWS3172	Blade, 72"W Serviceway, PwrData 3Wire,Cir1111, 4 Simplexes on Single Side
BESWS3178	Blade, 78"W Serviceway, PwrData 3Wire,Cir1111, 4 Simplexes on Single Side
BESWS3184	Blade, 84"W Serviceway, PwrData 3Wire,Cir1111, 4 Simplexes on Single Side
BESWS3190	Blade, 90"W Serviceway, PwrData 3Wire,Cir1111, 4 Simplexes on Single Side
BESWS3196	Blade, 96"W Serviceway, PwrData 3Wire,Cir1111, 4 Simplexes on Single Side
BESWS8424	Blade, 24"W Serviceway, PwrData 8Wire,Cir1234, 4 Simplexes on Single Side
BESWS8430	Blade, 30"W Serviceway, PwrData 8Wire,Cir1234, 4 Simplexes on Single Side
BESWS8436	Blade, 36"W Serviceway, PwrData 8Wire,Cir1234, 4 Simplexes on Single Side
BESWS8442	Blade, 42"W Serviceway, PwrData 8Wire,Cir1234, 4 Simplexes on Single Side
BESWS8448	Blade, 48"W Serviceway, PwrData 8Wire,Cir1234, 4 Simplexes on Single Side
BESWS8454	Blade, 54"W Serviceway, PwrData 8Wire,Cir1234, 4 Simplexes on Single Side
BESWS8460	Blade, 60"W Serviceway, PwrData 8Wire,Cir1234, 4 Simplexes on Single Side
BESWS8466	Blade, 66"W Serviceway, PwrData 8Wire,Cir1234, 4 Simplexes on Single Side
BESWS8472	Blade, 72"W Serviceway, PwrData 8Wire,Cir1234, 4 Simplexes on Single Side
BESWS8478	Blade, 78"W Serviceway, PwrData 8Wire,Cir1234, 4 Simplexes on Single Side
BESWS8484	Blade, 84"W Serviceway, PwrData 8Wire,Cir1234, 4 Simplexes on Single Side
BESWS8490	Blade, 90"W Serviceway, PwrData 8Wire,Cir1234, 4 Simplexes on Single Side
BESWS8496	Blade, 96"W Serviceway, PwrData 8Wire,Cir1234, 4 Simplexes on Single Side

Blade

BESWD

Serviceway, Double Sided



What's Included:

Serviceway channel. Internal electrical components. All necessary hardware.

Finish Options:

Please see www.fluidgroup.com/finishes for finish details.

Grade 1 refers to anodized

Grade 2 refers to painted

Information Required to Order:

Serviceway code / Structures finish.

Example Spec:

BESWD72/ANO (anodized)

Notes:

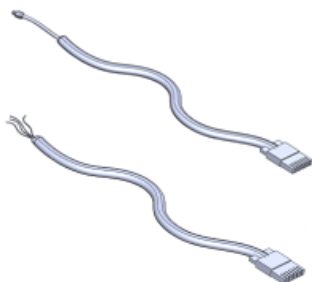
3 Wire, Circuit 1111 Serviceway will require a XEBFQ72 or XEBFQ120 **Plug In Basefeed**

8 Wire, Circuit 1234 Serviceway will require a XEBF8472 or XEBF84120 **Hardwire Basefeed**

Product Code	Product Description
BESWD3124	Blade, 24"W Serviceway, PwrData 3Wire,Cir1111, 4 Simplexes on Each Side
BESWD3130	Blade, 30"W Serviceway, PwrData 3Wire,Cir1111, 4 Simplexes on Each Side
BESWD3136	Blade, 36"W Serviceway, PwrData 3Wire,Cir1111, 4 Simplexes on Each Side
BESWD3142	Blade, 42"W Serviceway, PwrData 3Wire,Cir1111, 4 Simplexes on Each Side
BESWD3148	Blade, 48"W Serviceway, PwrData 3Wire,Cir1111, 4 Simplexes on Each Side
BESWD3154	Blade, 54"W Serviceway, PwrData 3Wire,Cir1111, 4 Simplexes on Each Side
BESWD3160	Blade, 60"W Serviceway, PwrData 3Wire,Cir1111, 4 Simplexes on Each Side
BESWD3166	Blade, 66"W Serviceway, PwrData 3Wire,Cir1111, 4 Simplexes on Each Side
BESWD3172	Blade, 72"W Serviceway, PwrData 3Wire,Cir1111, 4 Simplexes on Each Side
BESWD3178	Blade, 78"W Serviceway, PwrData 3Wire,Cir1111, 4 Simplexes on Each Side
BESWD3184	Blade, 84"W Serviceway, PwrData 3Wire,Cir1111, 4 Simplexes on Each Side
BESWD3190	Blade, 90"W Serviceway, PwrData 3Wire,Cir1111, 4 Simplexes on Each Side
BESWD3196	Blade, 96"W Serviceway, PwrData 3Wire,Cir1111, 4 Simplexes on Each Side
BESWD8424	Blade, 24"W Serviceway, PwrData 8Wire,Cir1234, 4 Simplexes on Each Side
BESWD8430	Blade, 30"W Serviceway, PwrData 8Wire,Cir1234, 4 Simplexes on Each Side
BESWD8436	Blade, 36"W Serviceway, PwrData 8Wire,Cir1234, 4 Simplexes on Each Side
BESWD8442	Blade, 42"W Serviceway, PwrData 8Wire,Cir1234, 4 Simplexes on Each Side
BESWD8448	Blade, 48"W Serviceway, PwrData 8Wire,Cir1234, 4 Simplexes on Each Side
BESWD8454	Blade, 54"W Serviceway, PwrData 8Wire,Cir1234, 4 Simplexes on Each Side
BESWD8460	Blade, 60"W Serviceway, PwrData 8Wire,Cir1234, 4 Simplexes on Each Side
BESWD8466	Blade, 66"W Serviceway, PwrData 8Wire,Cir1234, 4 Simplexes on Each Side
BESWD8472	Blade, 72"W Serviceway, PwrData 8Wire,Cir1234, 4 Simplexes on Each Side
BESWD8478	Blade, 78"W Serviceway, PwrData 8Wire,Cir1234, 4 Simplexes on Each Side
BESWD8484	Blade, 84"W Serviceway, PwrData 8Wire,Cir1234, 4 Simplexes on Each Side
BESWD8490	Blade, 90"W Serviceway, PwrData 8Wire,Cir1234, 4 Simplexes on Each Side
BESWD8496	Blade, 96"W Serviceway, PwrData 8Wire,Cir1234, 4 Simplexes on Each Side

XEBF

Base Feed Cable



What's Included:
Base Feed Cable.

Finish Options:
Not Applicable.

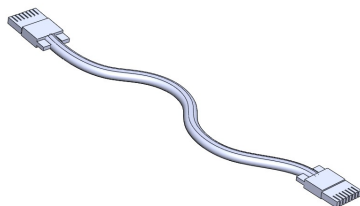
Information Required to Order:
Base feed code.

Example Spec:
XEBF8472

Product Code	Product Description
XEBFQ72	72 Base Feed, 3 Wire / 1 Circuit
XEBFQ120	120 Base Feed, 3 Wire / 1 Circuit
XEBF8472	72 Base Feed, 8 Wire/4 Circuit
XEBF84120	120 Base Feed, 8 Wire/4 Circuit

XEIC

Interconnect Cable



What's Included:
Interconnect cable.

Finish Options:
Not applicable.

Information Required to Order:
Interconnect code.

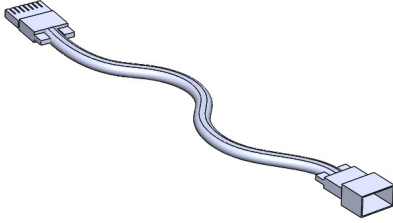
Example Spec:
XEIC8472

Product Code	Product Description
XEIC8436	36 Interconnecting Cable, 8 Circuit/4 Wire
XEIC8442	42 Interconnecting Cable, 8 Circuit/4 Wire
XEIC8448	48 Interconnecting Cable, 8 Circuit/4 Wire
XEIC8454	54 Interconnecting Cable, 8 Circuit/4 Wire
XEIC8460	60 Interconnecting Cable, 8 Circuit/4 Wire
XEIC8466	66 Interconnecting Cable, 8 Circuit/4 Wire
XEIC8472	72 Interconnecting Cable, 8 Circuit/4 Wire
XEIC8478	78 Interconnecting Cable, 8 Circuit/4 Wire
XEIC8484	84 Interconnecting Cable, 8 Circuit/4 Wire
XEIC8490	90 Interconnecting Cable, 8 Circuit/4 Wire
XEIC8496	96 Interconnecting Cable, 8 Circuit/4 Wire

Blade

XEPC

Pass Through Cables



What's Included:
Pass through cable.

Finish Options:
Not Applicable.

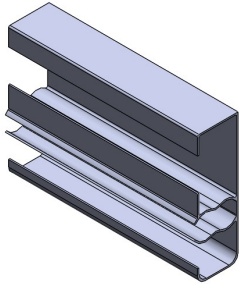
Information Required to Order:
Pass through code.

Example Spec:
XEPC8472

Product Code	Product Description
XEPC8436	36 Pass Through Cable, 8 Circuit/4 Wire
XEPC8442	42 Pass Through Cable, 8 Circuit/4 Wire
XEPC8448	48 Pass Through Cable, 8 Circuit/4 Wire
XEPC8454	54 Pass Through Cable, 8 Circuit/4 Wire
XEPC8460	60 Pass Through Cable, 8 Circuit/4 Wire
XEPC8466	66 Pass Through Cable, 8 Circuit/4 Wire
XEPC8472	72 Pass Through Cable, 8 Circuit/4 Wire
XEPC8478	78 Pass Through Cable, 8 Circuit/4 Wire
XEPC8484	84 Pass Through Cable, 8 Circuit/4 Wire
XEPC8490	90 Pass Through Cable, 8 Circuit/4 Wire
XEPC8496	96 Pass Through Cable, 8 Circuit/4 Wire
XEPC84120	120 Pass Through Cable, 8 Circuit/4 Wire

XWGR

Large Wire Manager



What's Included:

Large wire manager. All necessary hardware.

Finish Options:

Black Only

Information Required to Order:

Wire manager code

Example Spec:

XWGR60

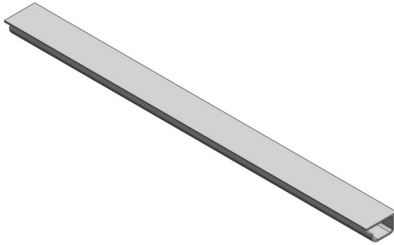
Product Code**Product Description**

XWGR24	24 Power/Data Wire Mgr, Full Length
XWGR30	30 Power/Data Wire Mgr, Full Length
XWGR36	36 Power/Data Wire Mgr, Full Length
XWGR42	42 Power/Data Wire Mgr, Full Length
XWGR48	48 Power/Data Wire Mgr, Full Length
XWGR54	54 Power/Data Wire Mgr, Full Length
XWGR60	60 Power/Data Wire Mgr, Full Length
XWGR66	66 Power/Data Wire Mgr, Full Length
XWGR72	72 Power/Data Wire Mgr, Full Length

Blade

XWGLP

Low Profile Wire Manager



What's Included:

Low profile wire manager. All necessary hardware.

Finish Options:

Light grey only

Information Required to Order:

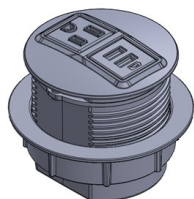
Low profile wire manager code.

Example Spec:

XWGLP60

Product Code	Product Description
XWGLP24	24" Low Profile Wire Manager
XWGLP30	30" Low Profile Wire Manager
XWGLP36	36" Low Profile Wire Manager
XWGLP42	42" Low Profile Wire Manager
XWGLP48	48" Low Profile Wire Manager
XWGLP54	54" Low Profile Wire Manager
XWGLP60	60" Low Profile Wire Manager
XWGLP66	66" Low Profile Wire Manager
XWGLP72	72" Low Profile Wire Manager

XNOD Round Power Module



What's Included:
Round Power Module.

Finish Options:
Please see www.fluidgroup.com/finishes for finish details.

Information Required to Order:
Round Power Module Code

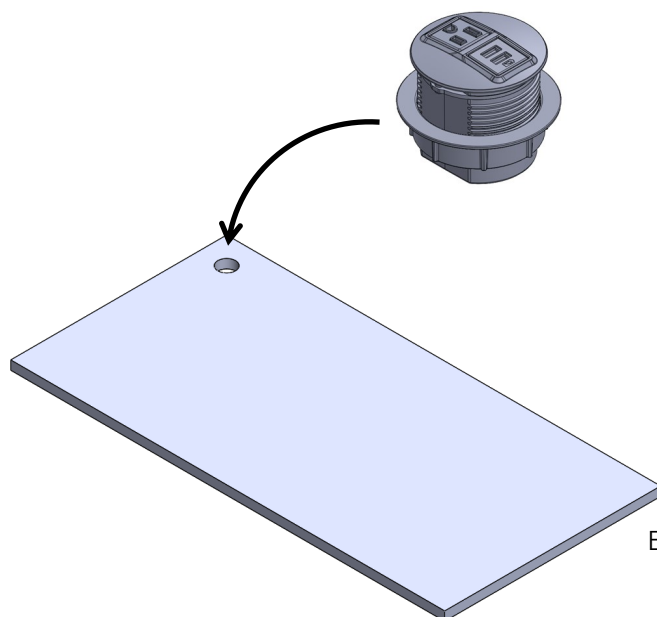
Example Spec:
XNODA/WH (White)

Product Code	Product Description
XNODA	Plug in Electrical Module, Round, 2 power
XNODB	Plug in Electrical Module, Round, 1 power/2 USB

Installation

The XNOD electrical modules are designed to fit in any of the standard Blade grommet surfaces. Therefore, a grommet surface must be specified in conjunction with this electrical module. Simply remove the plastic grommet insert, and install module in grommet hole.

Please note that the cord of the XNOD Modules are 72" long. Please keep this in mind, especially when using this module on a height adjustable table. If a special 120" cord is required, please contact the Work-space Design department (design@fluidgroup.com) for a quote.



Example surface: **BWRT3072GL**

How to Order—Please send all questions to purchase orders to order@fluidgroup.com or fax to 1.866.769.6057. Or please call us directly toll free 1.866.933.5258

Please see www.fluidgroup.com for all information including—

terms & conditions

warranty information

local representation information

Finishes & Resources

Thank-you for choosing fluidconcepts!

Fluidconcept & design inc.
96 Planchet Rd.
Concord Ontario Canada
L4K 2C7

TF. 1.866.933.5258

Fax. 1.866.789.

www.fluidgroup.com

