

BOB

The Mobile Office

Product Guide





Planning Examples



2 Pack—Offset



3 Pack—Pinwheel



6 Pack—Row



Planning Examples



4 Pack—Offset



4 Pack—Closed



3 Pack—Row



Imagine a completely self-contained turnkey workstation delivered completely assembled and then wheeled into place and functional in minutes.

BOB comes complete with technology, lighting, lockable storage, work tools, whiteboard and an acoustic tackable panel. When the workstation is not needed it can be closed up in seconds and/or wheeled into a holding area. This is for companies requiring frequent changes, real time workstation additions, and real time removal of workstations. Users now have open plan working spaces which can be completely closed up and locked when they are not being used benefiting from additional space and security.

The footprint of the mobile workstation in its' closed state is a mere 30"W x 48"D x 52"H which allows it to fit through standard doorways and easily maneuvered via its' heavy duty casters and pull handle. The workstation hinges open to enable an ample working space of 60" x 68".



Mobile Office - Base
MBOXBASE304852

Base Configuration

- Anodized Aluminum Frame
- 23x48" Worksurface
- 16x48" Return
- Upper Shelf
- Low Binder Shelves
- Accessory Rail
- Whiteboard
- Acoustic Tackable Panel
- Frosted Acrylic Panel
- Heavy Duty Locking Casters
- Wire Management
- Integral Hinge
- Pull Handle
- Lock

Options

- Work Tools (i.e. Paper Tray, Binder Tray, Vertical Manager)



Mobile Office - Full
MBOXFULL304852

Full Configuration

- Anodized Aluminum Frame
- 23x48" Worksurface
- 16x48" Return
- Upper Shelf
- Low Binder Shelves
- Accessory Rail
- Whiteboard
- Acoustic Tackable Panel
- Frosted Acrylic Panel
- 16" File drawer
- 16" Box drawer
- LED light
- 2 Power and 2 USB
- Heavy Duty Locking Casters
- Wire Management
- Integral Hinge
- Pull Handle
- Lock

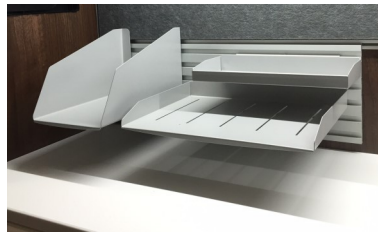




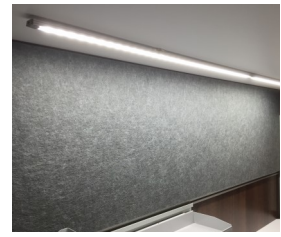
Integrated Flush Handle



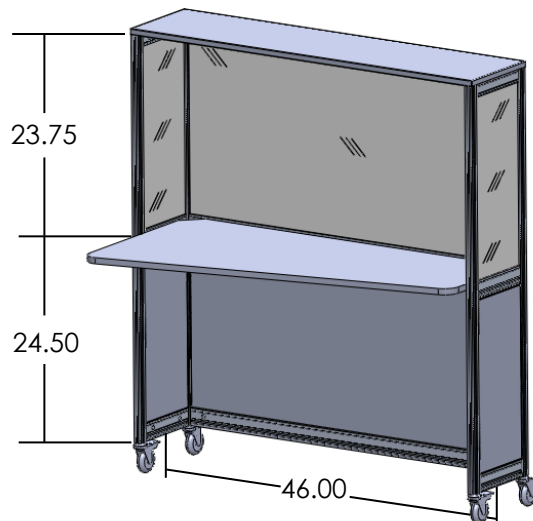
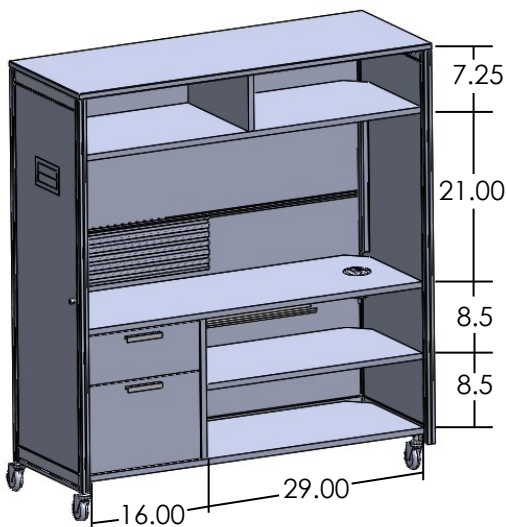
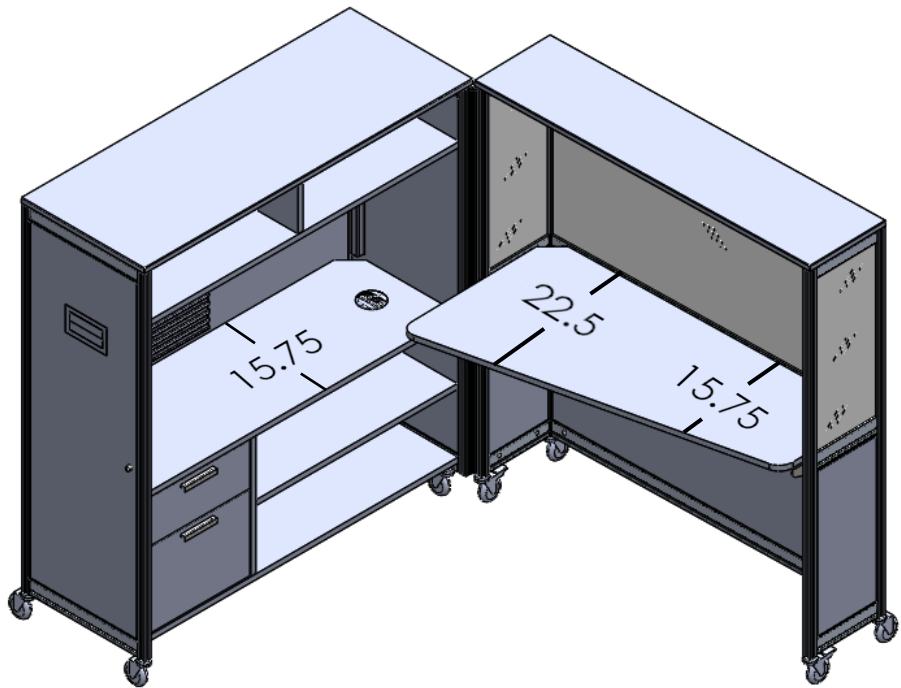
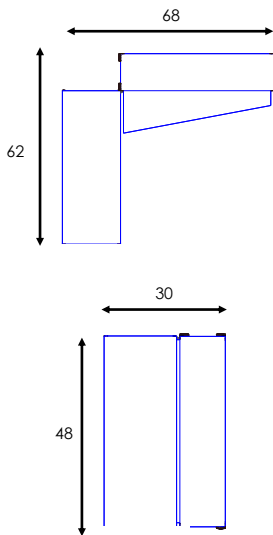
1 Power and 2 Power USB (Full Version)



Accessory Rail and Work Tools (Optional)

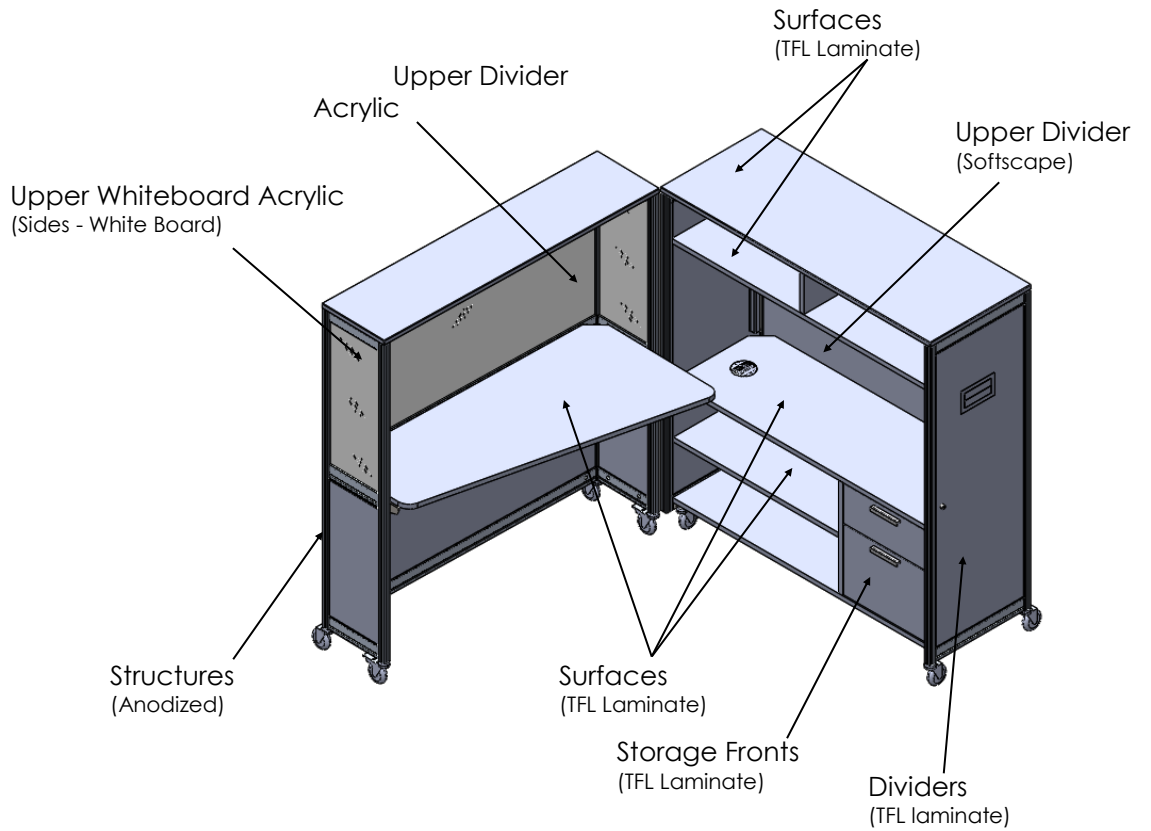


Slim LED Light (Full Version) and Acoustic Tackable Panel



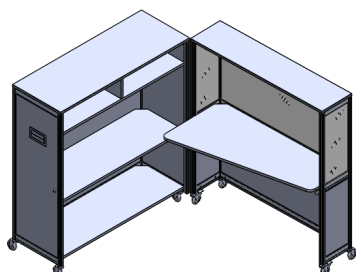
Finishes

Please see www.fluidgroup.com/finishes for finish details



MBOXBASE304852L

Base BOB Unit - Left Hand



What's Included:

Complete, Pre-assembled Base Unit. See Page 2 for Complete Specification List

Finish Options:

See Pages 4 for Finish Options. Required Selections: Upper Divider (Softscape) & Dividers (Vertical Laminate)

Information Required to Order:

Base Unit Code / Desired Finish Options. Example: **MBOXBASE304852L/SS01/AW**

Product Code

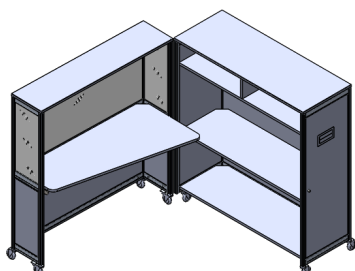
Product Description

MBOXBASE304852L

BOB - Mobile Office in a Box, Base, Left Hand
 Dimensions - Closed 30"W x 48"D x 52"H, Open 68"W x 62"D x 52"H

MBOXBASE304852R

Base BOB Unit - Right Hand



What's Included:

Complete, Pre-assembled Base Unit. See Page 2 for Complete Specification List

Finish Options:

See Pages 4 for Finish Options. Required Selections: Upper Divider (Softscape) & Dividers (Vertical Laminate)

Information Required to Order:

Base Unit Code / Desired Finish Options. Example: **MBOXBASE304852L/SS01/AW**

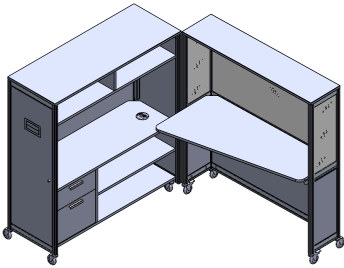
Product Code

Product Description

MBOXBASE304852R

BOB - Mobile Office in a Box, Base, Right Hand
 Dimensions - Closed 30"W x 48"D x 52"H, Open 68"W x 62"D x 52"H

MBOXFULL304852L
Full BOB Unit - Left Hand



What's Included:

Complete, Pre-assembled Full Unit. See Page 2 for Complete Specification List

Finish Options:

See Pages 4 for Finish Options. Required Selections: Upper Divider (Softscape) & Dividers (Vertical Laminate)

Information Required to Order:

Base Unit Code / Desired Finish Options. Example: **MBOXFULL304852L/SS01/AW**

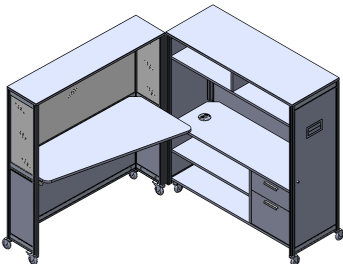
Product Code

Product Description

MBOXFULL304852L

BOB - Mobile Office in a Box, Full, Left Hand
Dimensions - Closed 30"W x 48"D x 52"H, Open 68"W x 62"D x 52"H

MBOXFULL304852R
Full BOB Unit - Right Hand



What's Included:

Complete, Pre-assembled Full Unit. See Page 2 for Complete Specification List

Finish Options:

See Pages 4 for Finish Options. Required Selections: Upper Divider (Softscape) & Dividers (Vertical Laminate)

Information Required to Order:

Base Unit Code / Desired Finish Options. Example: **MBOXFULL304852R/SS01/AW**

Product Code

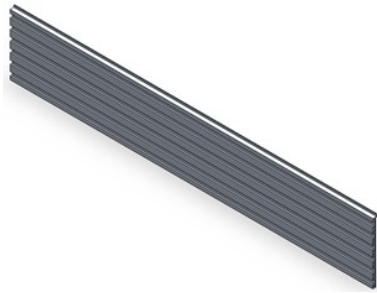
Product Description

MBOXFULL304852R

BOB - Mobile Office in a Box, Full, Right Hand,
Dimensions - Closed 30"W x 48"D x 52"H, Open 68"W x 62"D x 52"H

BAAR

Accessory Rail



What's Included:
Accessory Rail.

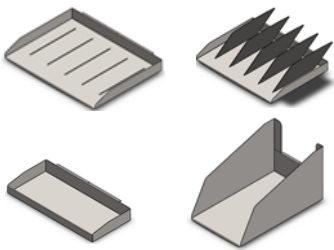
Finish Options:
ANO - Anodized Only.

Information Required to Order:
Accessory Rail Code.

Product Code	Product Description
BAAR21	BOB, 21"W Accessory Rail

XA

Accessories



What's Included:
Accessory (Each). Note: Accessory Rail to be Purchased Separately.

Finish Options:
SL - Silver Only.

Information Required to Order:
Accessory Code (Each)

Product Code	Product Description
XAPT02	Paper Tray, Letter Size – Metal
XAPT03	Paper Tray with 5 Dividers
XAPN02	Utility/Pencil Tray
XABT02	Binder Bin – Metal

How to Order - Please send all purchase orders to order@fluidgroup.com or fax to 1.866.769.6057.

Questions - Call us toll free at 1.866.933.5258.

Please see www.fluidgroup.com for all information including:

- Terms & conditions
- Warranty information
- Local representation information
- Finishes & Resources

Thank-you for choosing fluidconcepts!

Fluidconcept & design inc.
96 Planchet Rd.
Concord Ontario Canada
L4K 2C7

TF. 1.866.933.5258
Fax. 1.866.789.6057
www.fluidgroup.com
order@fluidgroup.com

