

MIX Screens™

Product Guide





Finish Options

Grade 1 Finishes (G1)

Frames

ANO - Anodized / Silver

Thermofused Laminate (TFL) Dividers

AW - Amati Walnut

BL - Black TFK

BW - Blackwood

CB - Cocoa Bean

CG - Concrete Grooves

CH - Charcoal Graphite

FG - Folkstone Grey

FO - Finnish Oak

GT - Ginger

HM - Hard Rock Maple

IP - Inspiration

KD - Kindle

MH - Honduras Mahogany

NW - Nova White

RU - Rustic Cherry

SO - Shadow Oak

ST - Stainless

SU - Summer Flame

SW - Silverwood

WC - Wild Cherry

Grade 1 (cont.)

Softscape Dividers

SS03 - Silver

SS04 - Charcoal

Acrylic Dividers

AF1 - Frosted

AC1 - Clear

AW1 - Whiteboard

Grade 2 Finishes (G2)

Color Acrylic Dividers

ALB1 - Light Blue

ABL1 - Blue

AOR1 - Orange

ARD1 - Red

Fabric Dividers

Any Standard Fabric

(see fluidconcepts.ca)

Important Notes

If combining finishes from different grades, default to highest grade pricing.

Please see:

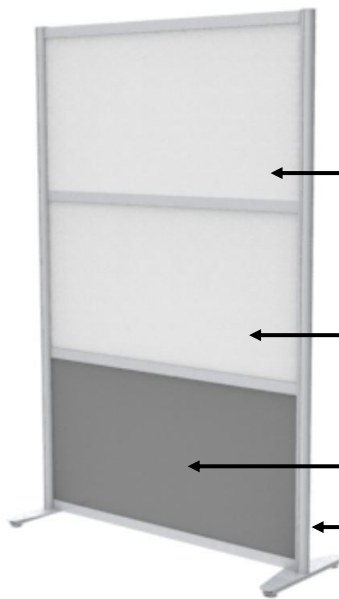
www.fluidgroup.com/finishes
for specific finish images. For physical samples please contact us at:

1.866.933.5258

or

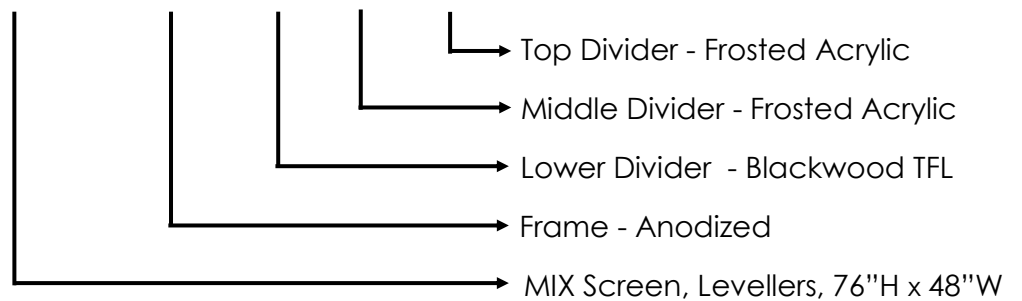
order@fluidgroup.com

How to Specify



To specify a MIX Screen, start with the root product code of your chosen base and size. The frame finish is then added as a suffix. The material finish is listed for each divider, starting from the bottom and working your way up.

MSSL7648/ANO/BW/AF1/AF1

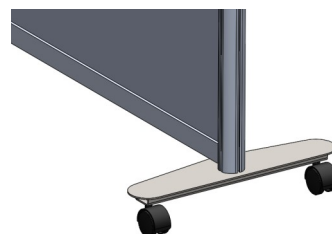


Features

- Caster Option Includes Two Casters with a Break, and Two Without.
- Leveller Option Allows for 3/4" of Levelling
- Anodized Aluminum Frame
- 95% Recyclable
- Powdercoated Silver Metal Base

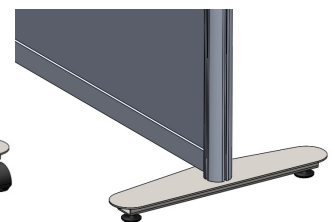
Casters

MSSC



Levellers

MSSL



MIX Screens

MSSL

MIX Screen, Base Plate with Levellers

What's Included:

MIX Screen, Two Base Plates with Levellers

Finish Options:

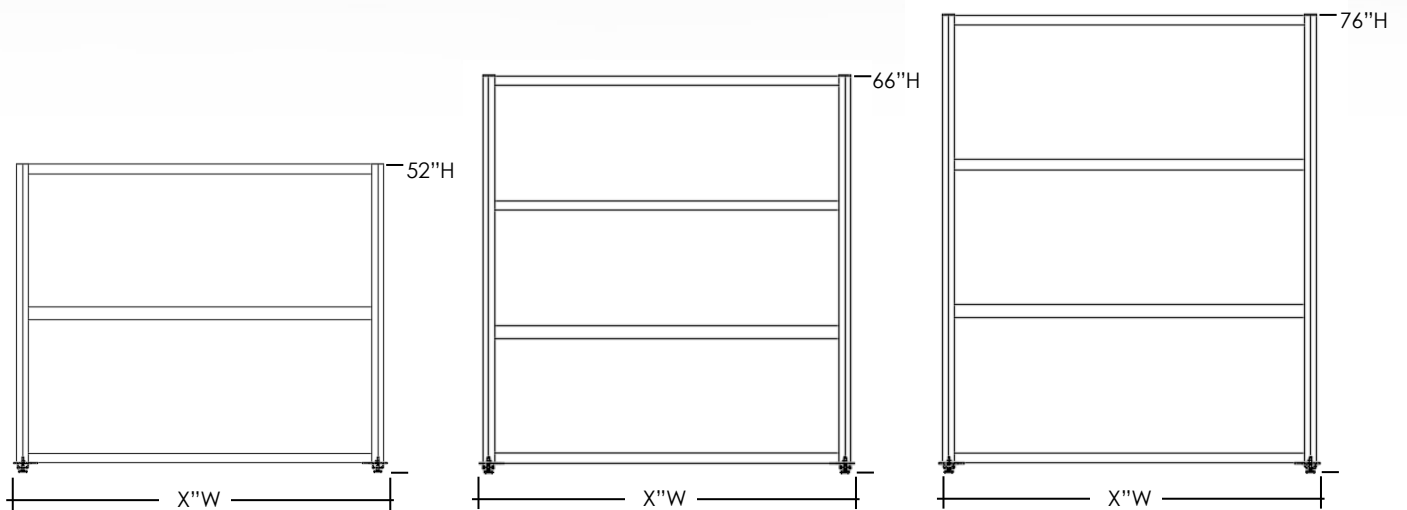
See Page 2 for Finish Options

Information Required to Order:

MIX Screen Product Code, Frame Finish, Divider Finishes

Example Spec:

MSSL7648/ANO/BW/AF1/AF1 (See page 3)



MSSL

MIX Screen, Base Plate with Levellers

Product Code	Product Description	List	List
		G1	G2
MSSL5224	MIX Screen, Base Plate with Levellers, 52"H x 24"W		
MSSL5230	MIX Screen, Base Plate with Levellers, 52"H x 30"W		
MSSL5236	MIX Screen, Base Plate with Levellers, 52"H x 36"W		
MSSL5242	MIX Screen, Base Plate with Levellers, 52"H x 42"W		
MSSL5248	MIX Screen, Base Plate with Levellers, 52"H x 48"W		
MSSL5254	MIX Screen, Base Plate with Levellers, 52"H x 54"W		
MSSL5260	MIX Screen, Base Plate with Levellers, 52"H x 60"W		
MSSL5266	MIX Screen, Base Plate with Levellers, 52"H x 66"W		
MSSL5272	MIX Screen, Base Plate with Levellers, 52"H x 72"W		
MSSL6624	MIX Screen, Base Plate with Levellers, 66"H x 24"W		
MSSL6630	MIX Screen, Base Plate with Levellers, 66"H x 30"W		
MSSL6636	MIX Screen, Base Plate with Levellers, 66"H x 36"W		
MSSL6642	MIX Screen, Base Plate with Levellers, 66"H x 42"W		
MSSL6648	MIX Screen, Base Plate with Levellers, 66"H x 48"W		
MSSL6654	MIX Screen, Base Plate with Levellers, 66"H x 54"W		
MSSL6660	MIX Screen, Base Plate with Levellers, 66"H x 60"W		
MSSL6666	MIX Screen, Base Plate with Levellers, 66"H x 66"W		
MSSL6672	MIX Screen, Base Plate with Levellers, 66"H x 72"W		
MSSL7624	MIX Screen, Base Plate with Levellers, 76"H x 24"W		
MSSL7630	MIX Screen, Base Plate with Levellers, 76"H x 30"W		
MSSL7636	MIX Screen, Base Plate with Levellers, 76"H x 36"W		
MSSL7642	MIX Screen, Base Plate with Levellers, 76"H x 42"W		
MSSL7648	MIX Screen, Base Plate with Levellers, 76"H x 48"W		
MSSL7654	MIX Screen, Base Plate with Levellers, 76"H x 54"W		
MSSL7660	MIX Screen, Base Plate with Levellers, 76"H x 60"W		
MSSL7666	MIX Screen, Base Plate with Levellers, 76"H x 66"W		
MSSL7672	MIX Screen, Base Plate with Levellers, 76"H x 72"W		

The width dimension shown in the product codes and descriptions represents an **outside of base plate to outside of base plate** size.

MIX Screens

MSSC

MIX Screen, Base Plate with Casters

What's Included:

MIX Screen, Two Base Plates with Casters

Finish Options:

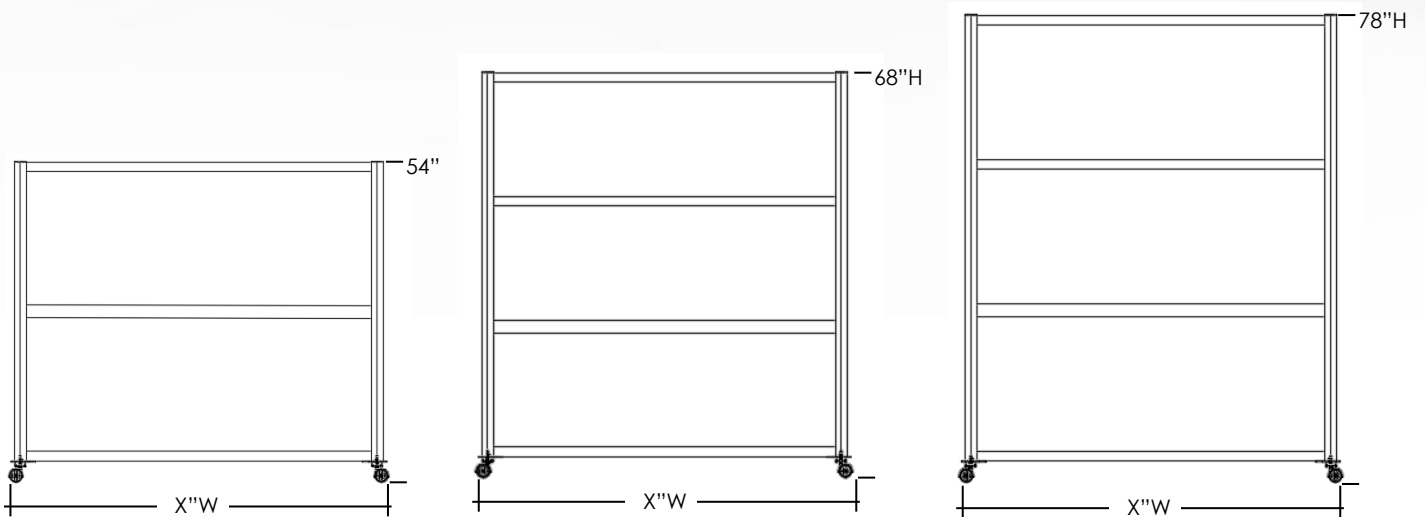
See Page 2 for Finish Options

Information Required to Order:

MIX Screen Product Code, Frame Finish, Divider Finishes

Example Spec:

MSSC7648/ANO/BW/AF1/AF1 (See page 3)



MSSC

MIX Screen, Base Plate with Casters

Product Code	Product Description	List	List
		G1	G2
MSSC5424	MIX Screen, Base Plate with Casters, 54"H x 24"W		
MSSC5430	MIX Screen, Base Plate with Casters, 54"H x 30"W		
MSSC5436	MIX Screen, Base Plate with Casters, 54"H x 36"W		
MSSC5442	MIX Screen, Base Plate with Casters, 54"H x 42"W		
MSSC5448	MIX Screen, Base Plate with Casters, 54"H x 48"W		
MSSC5454	MIX Screen, Base Plate with Casters, 54"H x 54"W		
MSSC5460	MIX Screen, Base Plate with Casters, 54"H x 60"W		
MSSC5466	MIX Screen, Base Plate with Casters, 54"H x 66"W		
MSSC5472	MIX Screen, Base Plate with Casters, 54"H x 72"W		
MSSC6824	MIX Screen, Base Plate with Casters, 68"H x 24"W		
MSSC6830	MIX Screen, Base Plate with Casters, 68"H x 30"W		
MSSC6836	MIX Screen, Base Plate with Casters, 68"H x 36"W		
MSSC6842	MIX Screen, Base Plate with Casters, 68"H x 42"W		
MSSC6848	MIX Screen, Base Plate with Casters, 68"H x 48"W		
MSSC6854	MIX Screen, Base Plate with Casters, 68"H x 54"W		
MSSC6860	MIX Screen, Base Plate with Casters, 68"H x 60"W		
MSSC6866	MIX Screen, Base Plate with Casters, 68"H x 66"W		
MSSC6872	MIX Screen, Base Plate with Casters, 68"H x 72"W		
MSSC7824	MIX Screen, Base Plate with Casters, 78"H x 24"W		
MSSC7830	MIX Screen, Base Plate with Casters, 78"H x 30"W		
MSSC7836	MIX Screen, Base Plate with Casters, 78"H x 36"W		
MSSC7842	MIX Screen, Base Plate with Casters, 78"H x 42"W		
MSSC7848	MIX Screen, Base Plate with Casters, 78"H x 48"W		
MSSC7854	MIX Screen, Base Plate with Casters, 78"H x 54"W		
MSSC7860	MIX Screen, Base Plate with Casters, 78"H x 60"W		
MSSC7866	MIX Screen, Base Plate with Casters, 78"H x 66"W		
MSSC7872	MIX Screen, Base Plate with Casters, 78"H x 72"W		

The width dimension shown in the product codes and descriptions represents an **outside of base plate to outside of base plate** size.

MIX Screens

How to Order - Please send all purchase orders to order@fluidgroup.com or fax to 1.866.769.6057.

Questions - Call us toll free at 1.866.933.5258.

Please see www.fluidgroup.com for all information including:

- Terms & conditions
- Warranty information
- Local representation information
- Finishes & Resources

Thank-you for choosing fluidconcepts!

Fluidconcept & design inc.
96 Planchet Rd.
Concord Ontario Canada
L4K 2C7

TF. 1.866.933.5258
Fax. 1.866.789.6057
www.fluidgroup.com
order@fluidgroup.com

